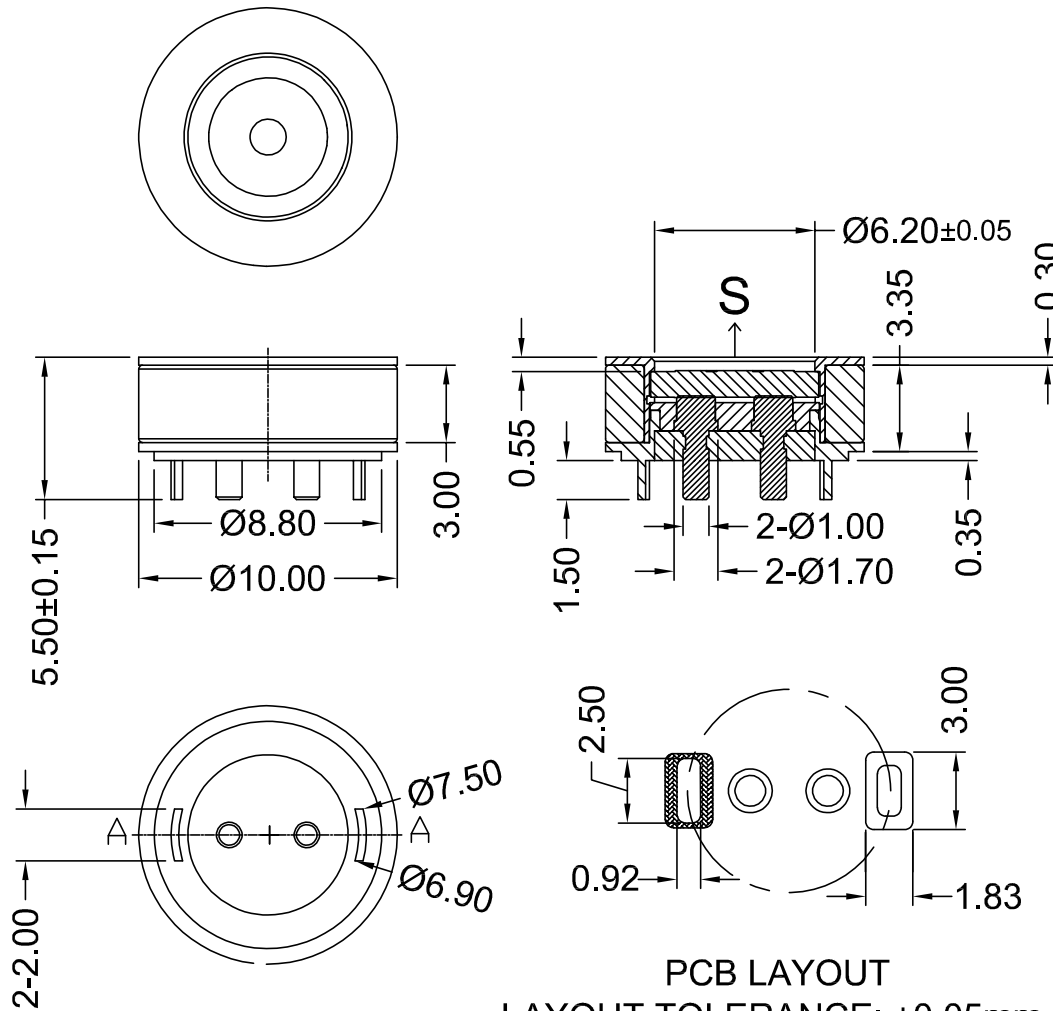


| TOLERANCE<br>UNLESS OTHERWISE<br>SPECIFIED |       |
|--|-------|
| .X   | ±0.15 |
| .XX  | ±0.10 |

THIS IS A C.A.D. GENERATED DRAWING  
DO NOT MAKE MANUAL REVISIONS TO MASTER.



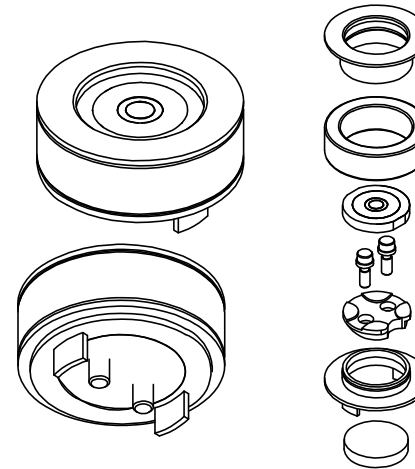
ISSUE NUMBER  
ORIGINAL (1)



PCB LAYOUT  
LAYOUT TOLERANCE:  $\pm 0.05\text{mm}$

SPECIFICATION:

CONTACT: BRASS  
 PLATING:  $0.075\mu\text{m}$  Au MIN PLATED OVER  $1.25\mu\text{m}$  TO  $3.0\mu\text{m}$  Ni  
 INSULATION: PA9T, BLACK  
 MAGNET: N52,  $5.0\mu\text{m}$  Ni MIN PLATED  
 VOLATGE RATING: 5V  
 CURRENT RATING: 2A MAX  
 OPERATING TEMPERATURE RATING :  $-30^\circ\text{C} \sim +85^\circ\text{C}$



THIS SERIES FULLY CONFORMS TO  
THE EUROPEAN UNION DIRECTIVES  
2011/65/EU FOR RoHS COMPLIANCY.



YOUR CONNECTION TO QUALITY & SERVICE

EDAC INC  
TORONTO, ONTARIO  
CANADA

THESE DRAWINGS AND SPECIFICATIONS  
ARE THE PROPERTY OF EDAC INC., AND  
SHALL NOT BE REPRODUCED, OR COPIED  
OR USED AS THE BASIS FOR THE  
MANUFACTURE OR SALE OF APPARATUS  
WITHOUT WRITTEN PERMISSION.

|                               |  |                                     |                   |
|-------------------------------|--|-------------------------------------|-------------------|
| POGO CONNECTOR, 3 PIN, FEMALE |  | ACAD REFERENCE NO.: 686-0032220-111 | UNIT: MM          |
|                               |  | DRAWN: E.S                          | DATE: JUN.22/2022 |
|                               |  | CHECKED: J.L.                       | DATE: AUG.04/2022 |
|                               |  | SCALE: (IN C.A.D. 1:1)              | SHEET 1 OF 1      |
|                               |  | DRAWING NUMBER: 686-0032220-111     | ISSUE             |
|                               |  | PART NUMBER: 686-0032220-111        | 1                 |