

TOLERANCE UNLESS OTHERWISE SPECIFIED	
.X	±0.15
.XX	±0.10

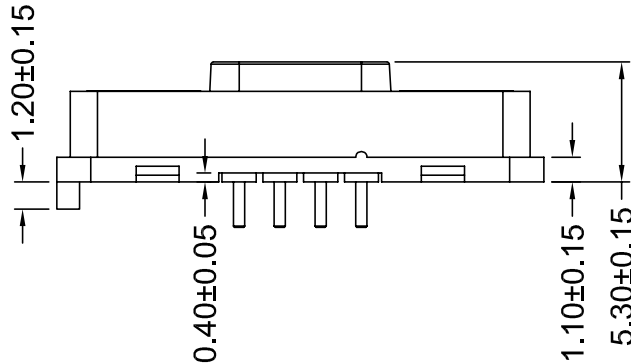
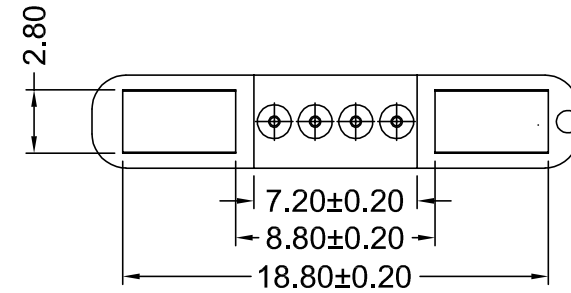
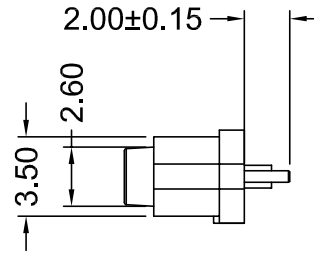
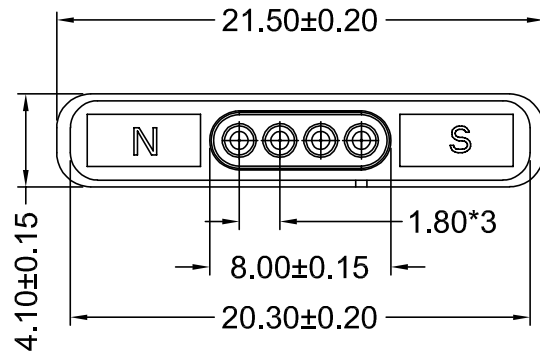
THIS IS A C.A.D. GENERATED DRAWING
DO NOT MAKE MANUAL REVISIONS TO MASTER.



ISSUE NUMBER

ORIGINAL

1



SPECIFICATION:

PLATING:

- 1) CONTACT PLATING: BRASS 5µ" Au OVER 5µ"-120µ" Ni
- 2) CONTACT SOLDER AREA PLATING: BRASS 5µ" Au OVER 5µ"-120µ" Ni
- 3) HOUSING: PA46 BLACK

VOLTAGE RATING: 5V

CURRENT RATING: 2A MAX.

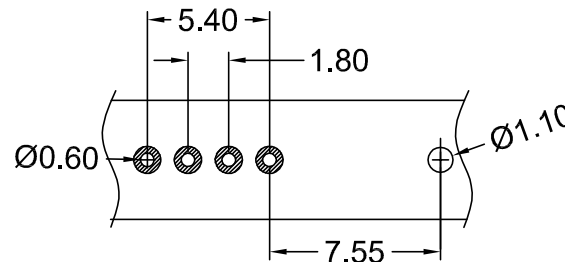
INSULATION RESISTANCE: 100MEGAOHMS MIN.

DIELECTRIC WITHSTANDING VOLTAGE: 100V RMS AT 60HZ

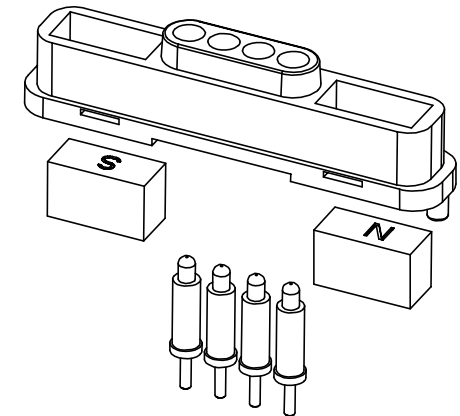
CONTACT RESISTANCE: 30mOHMS MAX BEFORE TEST AND 60mOHMS MAX AFTER TEST AT POGO PIN WORKING STROKE

OPERATING TEMPERATURE: -30°C~85°C

GAUSS: 3800±400GS



PCB LAYOUT



THIS SERIES FULLY CONFORMS TO
THE EUROPEAN UNION DIRECTIVES
2011/65/EU FOR RoHS COMPLIANCY.



YOUR CONNECTION TO QUALITY & SERVICE

EDAC INC
TORONTO, ONTARIO
CANADA

THESE DRAWINGS AND SPECIFICATIONS
ARE THE PROPERTY OF EDAC INC., AND
SHALL NOT BE REPRODUCED, OR COPIED
OR USED AS THE BASIS FOR THE
MANUFACTURE OR SALE OF APPARATUS
WITHOUT WRITTEN PERMISSION.

POGO CONNECTOR, 4 POS, MALE

ACAD REFERENCE NO.: 685-0042121-111	
DRAWN: E.S	DATE: JUL.6/2022
CHECKED: J.L.	DATE: AUG.04/2022
SCALE: (IN C.A.D. 1:1)	SHEET 1 OF 1
DRAWING NUMBER: 685-0042121-111	ISSUE 1
PART NUMBER: 685-0042121-111	