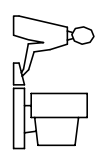
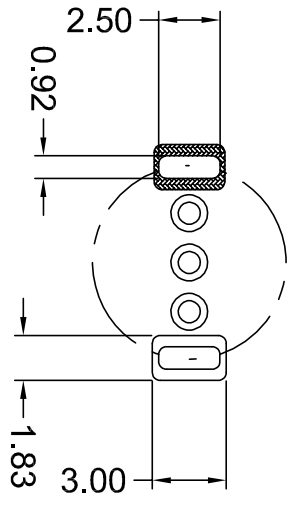
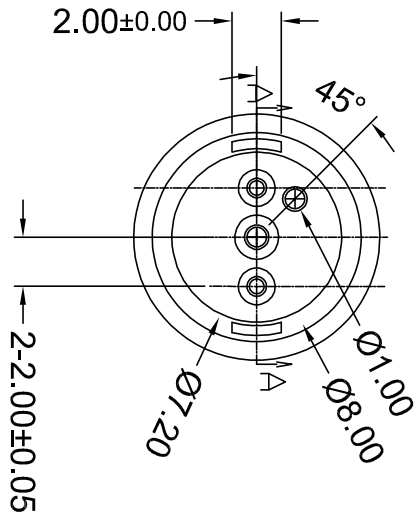
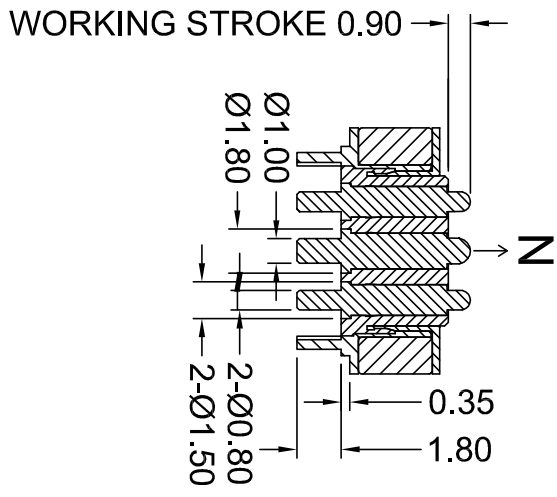
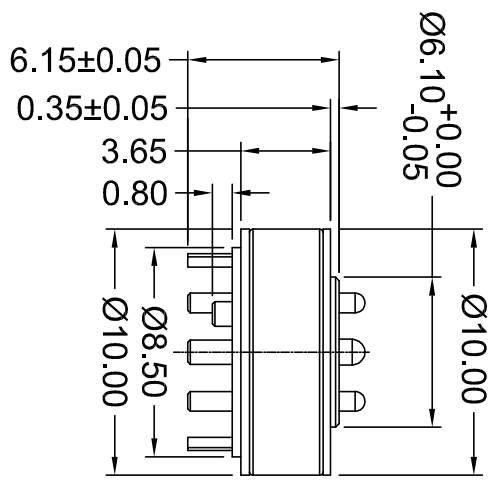


TOLERANCE UNLESS OTHERWISE SPECIFIED	
.X	±0.15
.XX	±0.10

THIS IS A C.A.D. GENERATED DRAWING  
DO NOT MAKE MANUAL REVISIONS TO MASTER.

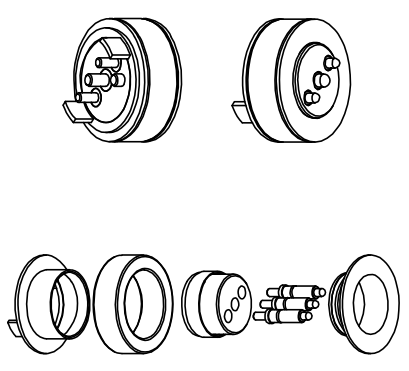


ISSUE NUMBER	1
ORIGINAL	



PCB LAYOUT  
LAYOUT TOLERANCE: ±0.05mm

SPECIFICATION:  
VOLTAGE RATING: 5V  
CURRENT RATING: 2A MAX  
WORKING TEMPERATURE RANGE: -30°C TO +85°C



Back shell	1pcs	C3604	Nickel 50um min plated	Ø10.0*5.45
Magnet	1pcs	N52	Nickel 50um min plated	Ø10.0*3.0*Ø7.0
Rubber compound	3g	PA9T	.....	Black
PDGD Pin	3pcs	Brass	Gold 0.075um min plated over 1.25~3.0um Nickel	Ø1.5*7.00
Front shell	1pcs	SUS316F	.....	Ø10.0*2.95
Part Name	QTY	Material	Finish	Remarks

POGOPIN, 3 POS, MALE

ACAD REFERENCE NO.: 685-0032220-111		UNIT: MM
DRAWN: E.S	DATE: JUN.22/2022	
CHECKED: J.L.	DATE: AUG.04/2022	
SCALE: (IN C.A.D. 1:1)	SHEET 1 OF 1	ISSUE 1
DRAWING NUMBER: 685-0032220-111		
PART NUMBER: 685-0032220-111		



THIS SERIES FULLY CONFORMS TO  
THE EUROPEAN UNION DIRECTIVES  
2011/65/EU FOR ROHS COMPLIANCY.



EDAC INC  
TORONTO, ONTARIO  
CANADA

THESE DRAWINGS AND SPECIFICATIONS  
ARE THE PROPERTY OF EDAC INC. AND  
SHALL NOT BE REPRODUCED OR COPIED  
OR USED AS THE BASIS FOR THE  
MANUFACTURE OR SALE OF APPARATUS  
WITHOUT WRITTEN PERMISSION.

YOUR CONNECTION TO QUALITY & SERVICE