

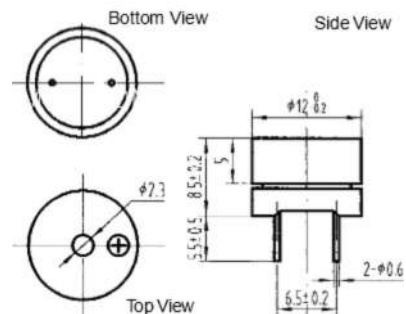
■ ■ ■ KP12-185A/B/C series Magnetic Buzzer

DIMENSIONS

Model No	KP12-185A	KP12-185B	KP12-185C
Rated Voltage	1.5V	1.5V	1.5V
Operating Voltage	1~2V	1~2V	1~2V
Max. Rated Current	30mA	10mA	10mA
Coil Resistance (DC)	16 $\pm$ 4 $\Omega$	42 $\pm$ 6 $\Omega$	50 $\pm$ 7.5 $\Omega$
Coil Impedance (AC)	40 $\Omega$	120 $\Omega$	140 $\Omega$
Min. Sound Pressure Level	-20~+70 $\mu$ æ	-20~+70 $\mu$ æ	-20~+70 $\mu$ æ
Weight	2g	2g	2g

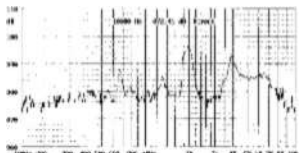


color Black  
Noryl Housing Material  
Pin Terminal



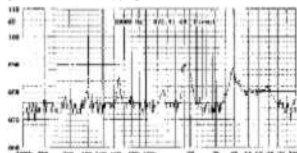
all dimensions are in mm

FREQUENCY RESPONSE  
[actual curve of type]



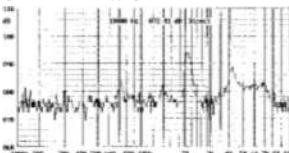
applied voltage: 1.5 v. 1/2 duty, square wave  
distance for measurement: 10cm

FREQUENCY RESPONSE  
[actual curve of type]



applied voltage: 1.5 v. 1/2 duty, square wave  
distance for measurement: 10cm

FREQUENCY RESPONSE  
[actual curve of type]



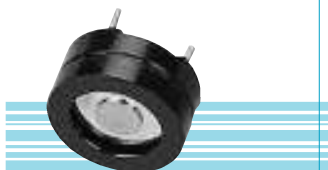
applied voltage: 1.5 v. 1/2 duty, square wave  
distance for measurement: 10cm

\* Value applying at rated voltage

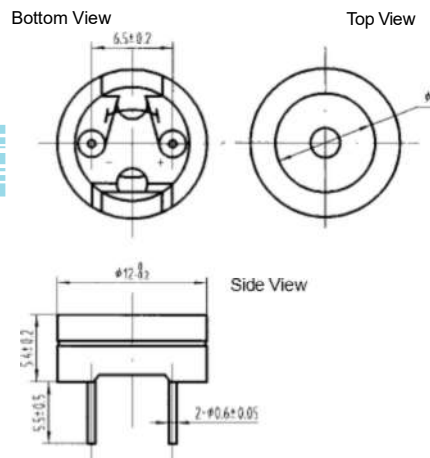
■ ■ ■ KP12-105 series Magnetic Buzzer

DIMENSIONS

Model No	KP12-105A	KP12-105B
Rated Voltage	1.5V	1.5V
Operating Voltage	1-2V	1-2V
Max. Rated Current	30mA	10mA
Coil Resistance (DC)	16 $\pm$ 4 $\Omega$	42 $\pm$ 6 $\Omega$
Coil Impedance (AC)	40 $\Omega$	120 $\Omega$
Min. Sound Pressure Level	75dB/10cm	70dB/10cm
Resonant Frequency	2048Hz	2048Hz
Operating Temperature	-20~+70 $\mu$ æ	-20~+70 $\mu$ æ
Weight	2g	2g

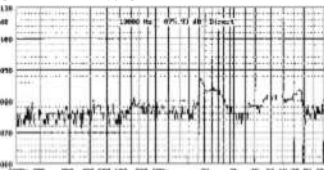


color Black  
MPPO Housing Material  
Pin Terminal



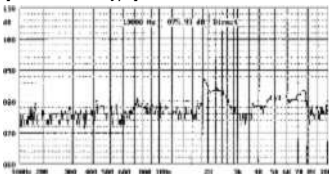
all dimensions are in mm

FREQUENCY RESPONSE  
[actual curve of type]



applied voltage: 1.5 v. 1/2 duty, square wave distance for measurement: 10cm

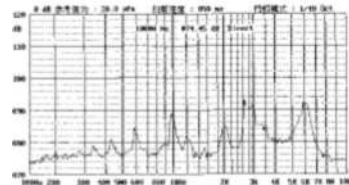
FREQUENCY RESPONSE  
[actual curve of type]



\* Value applying at rated voltage

■ ■ ■ KPM09F series Piezo Transducer

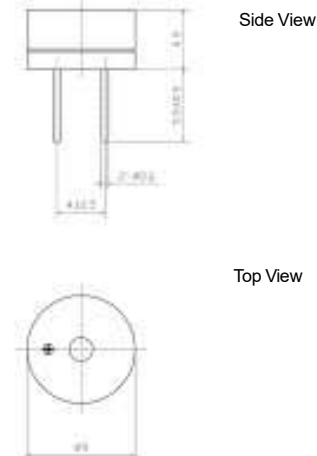
DIMENSIONS



Model No	KPM09F
Rated Voltage	1.5V
Operating Voltage	1 $\mu$ ~2V
Max. Rated Current	80mA
Min. Sound Pressure Level	85dB/10cm
Coil Resistance	5.5 $\pm$ 1 $\Omega$
Coil Impedance	9.0 $\Omega$
Min. Sound Pressure Level	80dB/10cm
Rated Frequency	2731Hz
Housing Material/Color	PBT/Black
Operating Temperature	-20 $\mu$ ~+70 $\mu$ æ
Store Temperature	-30 $\mu$ ~+80 $\mu$ æ
Weight	2g



color Black  
PBT Housing Material  
Pin Terminal



all dimensions are in mm

\* Value applying at rated voltage