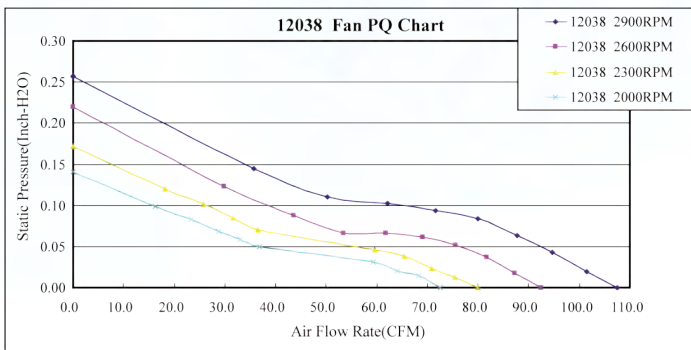


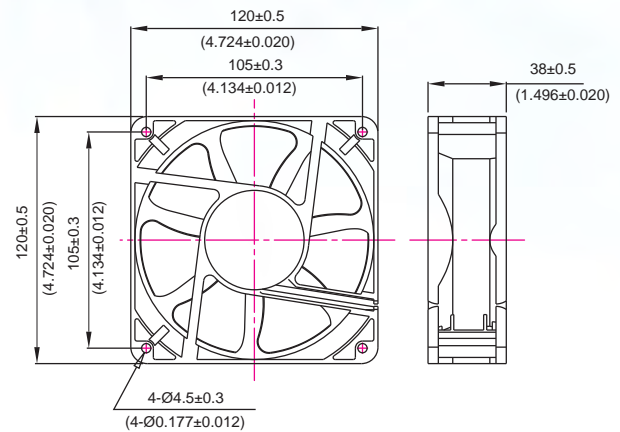
## 12038 series 120x120x38 mm



### P&Q Curve



### Dimensions Drawing



UNIT:MM/(INCH)

### Specifications

Model	Rated Voltage (VDC)	Rated Current (AMP)	Power Consumption (WATTS)	Speed Reference (RPM)	Air Flow (CFM)	Static Pressure (Inch-H <sub>2</sub> O)	Noise (dBA)
EC12038H12X	12	0.58	6.96	2600	92.49	0.22	<41
EC12038M12X	12	0.4	4.8	2300	79.9	0.17	<38
EC12038L12X	12	0.37	4.44	2000	72.5	0.14	<34
EC12038HH24X	24	0.46	11.04	2900	107.49	0.26	<45.8
EC12038H24X	24	0.42	10.08	2600	92.49	0.22	<41
EC12038M24X	24	0.38	9.12	2300	79.9	0.17	<38
EC12038L24X	24	0.34	8.16	2000	72.5	0.14	<34

- ▶ Material:impeller & Frame:Plastic(UL 94V-0)
- ▶ Lead Wires:  
UL 1007 AWG #24 Or Equivalent  
Red Wire Positive(+), Black Wire Negative(-), Yellow Wire Or Blue Wire Signal(FG)
- ▶ Function type is optional.

- ▶ The max air flow and the speed are measured in free air; max air pressure is measured at zero air flow.
- ▶ Noise is measured in anechoic chamber in free air, one meter from intake side.
- ▶ All readings are typical values at rated voltage.
- ▶ Specifications are subject to change without notice.
- ▶ Additional special function may be added according the requirement of customer.