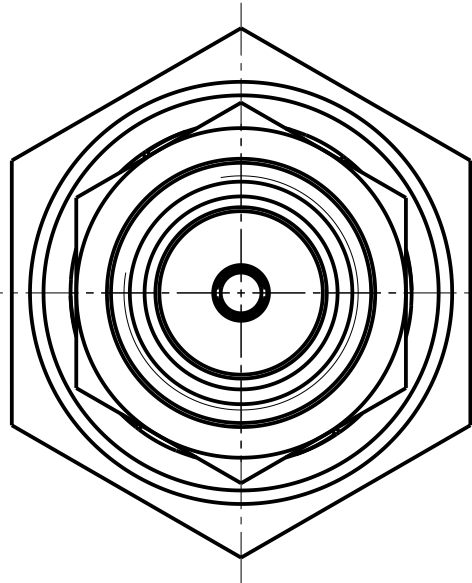
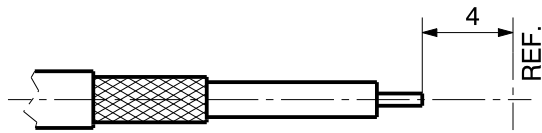
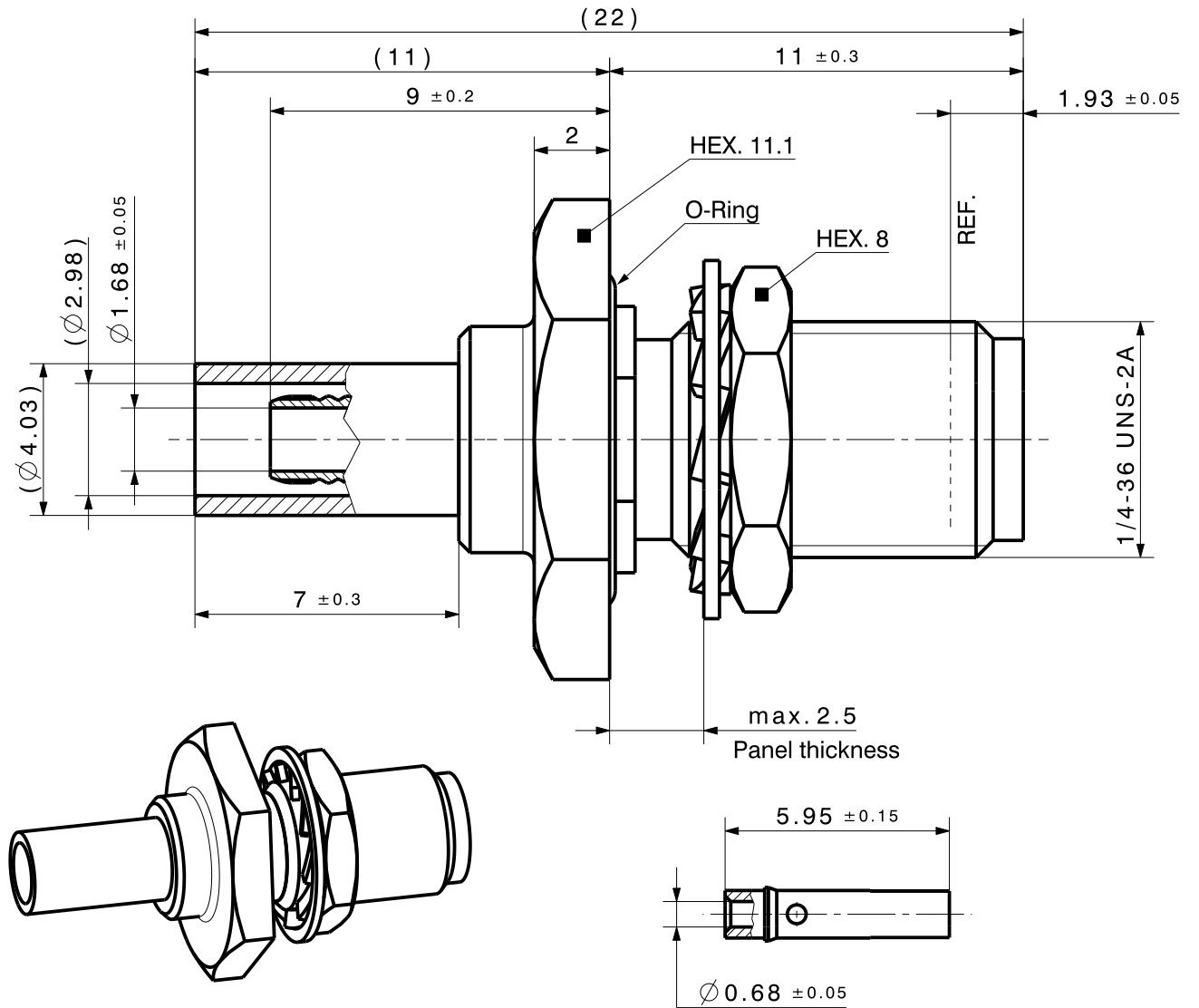
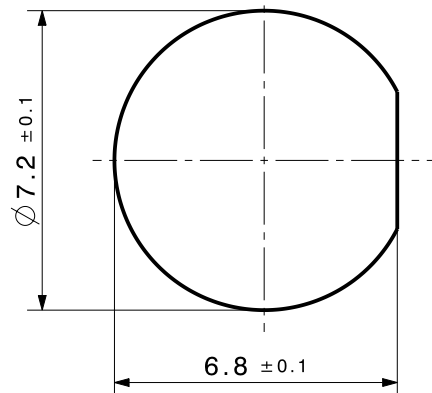


Cable shortening dimension



Mounting hole ML20



Type: 24 SMA-50-2-116

⚠ All dimensions after treatment in millimeter (mm)

Assembly drawing

Released date:

alternative ID

3D-ID PRO-01171952 A Sheet: 1/1

HUBER+SUHNER

description

Bulkhead cable jack

ID

DOU-01171953

Release

A