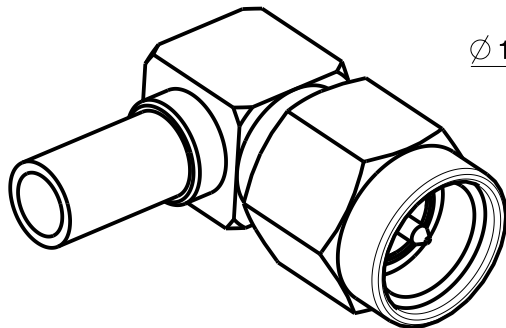
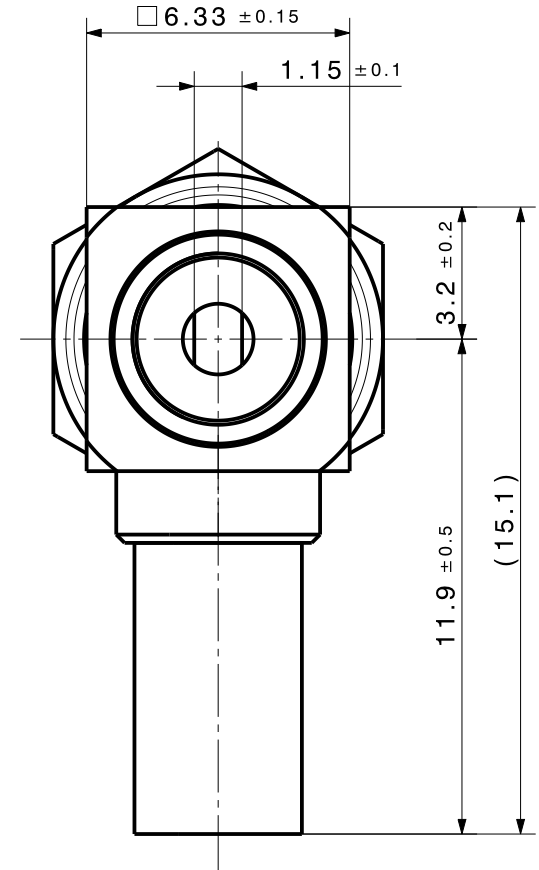
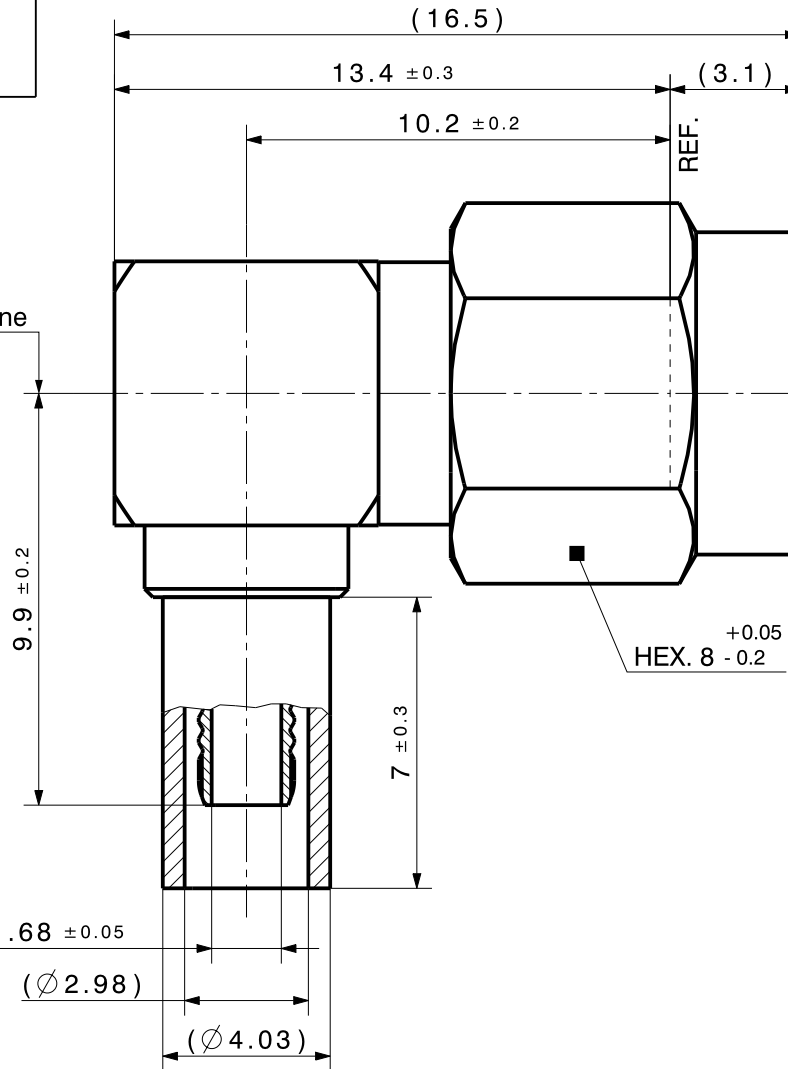
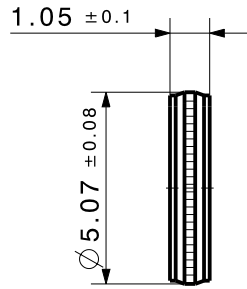
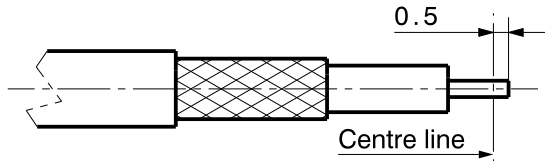


Cable shortening dimension



Type: 16 SMA-50-2-114

All dimensions after treatment in millimeter (mm)

Assembly drawing

Released date: 05.06.2023

alternative ID

3D-ID PRO-01172216 A Sheet: 1/1

HUBER+SUHNER

description

ID

Release

Right angle cable plug

DOU-01172217 A