

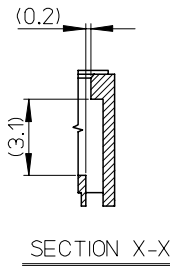
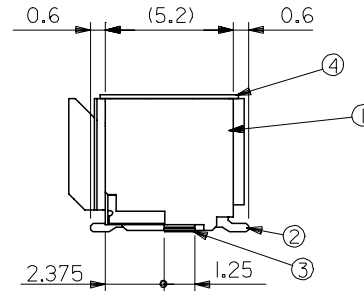
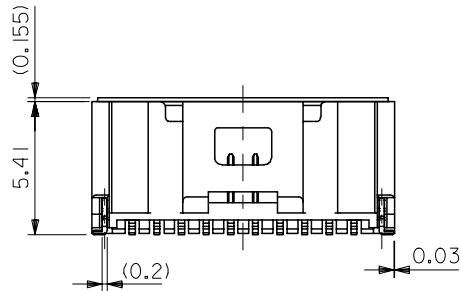
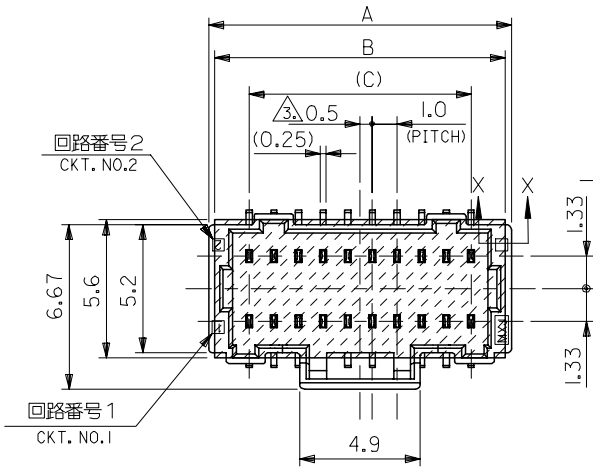
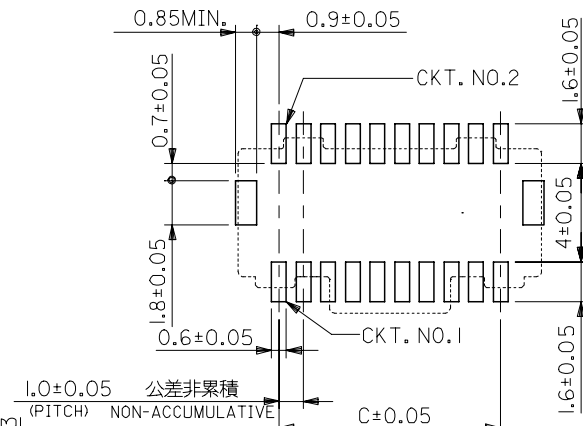
番号 #NO.	部品 PART	材質 MATERIAL
①	ウエハー WAFER	6Tナイロン UL94V-0 色:自然色 6T NYLON, UL94V-0, COLOR:NATURAL
②	ソルダーピン SOLDER PIN	りん青銅 PHOSPHOR BRONZE 金メッキ: 0.1µmMIN. GOLD ニッケルメッキ(下地): 1.0µmMIN. NICKEL(UNDER PLATING)
③	ネイル NAIL	りん青銅 PHOSPHOR BRONZE 錫メッキ: 1.0µmMIN. TIN ニッケルメッキ(下地): 1.0µmMIN. NICKEL(UNDER PLATING)
④	カバーテープ COVER TAPE	ポリイミドテープ POLYIMIDE TAPE

NOTES.

- 嵌合相手: 501189-\*\*\*\*  
MATE WITH: 501189-\*\*\*\*
- ソルダーピン及びネイル平坦度は、0.1MAX.  
SOLDER PIN AND NAIL COPLANARITY TO BE 0.1MAX.
- 極数/2=偶数に適用  
APPLY FOR CKT SIZE/2=EVEN

無 NO	24	26.8	27.3	501190-5029	50
	19		22.3	501190-4029	40
	14		17.3	501190-3029	30
	9		12.3	501190-2029	20
有 YES	24	26.8	27.3	501190-5019	50
	19	21.8	22.3	501190-4019	40
	14	16.8	17.3	501190-3019	30
9	11.8	12.3	501190-2019	20	
カバーテープの有無 COVER TAPE	C	B	A	MATERIAL NO.	CKT

参考パターンレイアウト  
RECOMMENDED PATTERN DIM. (REF.)



REVISED EC NO: J2005-2879 DRAWN: NYOSHIDA 2005/03/29 CHKD: MYAGI 2005/03/29 APPR: ANODA 2005/03/30	GENERAL TOLERANCES (UNLESS SPECIFIED)		DIMENSION STYLE MM ONLY		SCALE 5:1	DESIGN UNITS METRIC	THIRD ANGLE PROJECTION	
	10 UNDER	±0.2	DRAWN BY NYOSHIDA	DATE 2004/12/17	TITLE 1.0 WIRE TO BOARD CONN. WAFER ASS'Y (2-ROW S/T) -LEAD FREE-			
	10 OVER 30 UNDER	±0.25	CHECKED BY MYAGI	DATE 2004/12/17				
	30 OVER	±0.3	APPROVED BY ANODA	DATE 2004/12/17	MOLEX INCORPORATED			
ANGULAR ±3 °		MATERIAL NO. SEE CHART		DOCUMENT NO. SD-501190-003				
DRAFT WHERE APPLICABLE MUST REMAIN WITHIN DIMENSIONS		THIS DRAWING CONTAINS INFORMATION THAT IS PROPRIETARY TO MOLEX INCORPORATED AND SHOULD NOT BE USED WITHOUT WRITTEN PERMISSION						

F

E

D

C

B

A

F

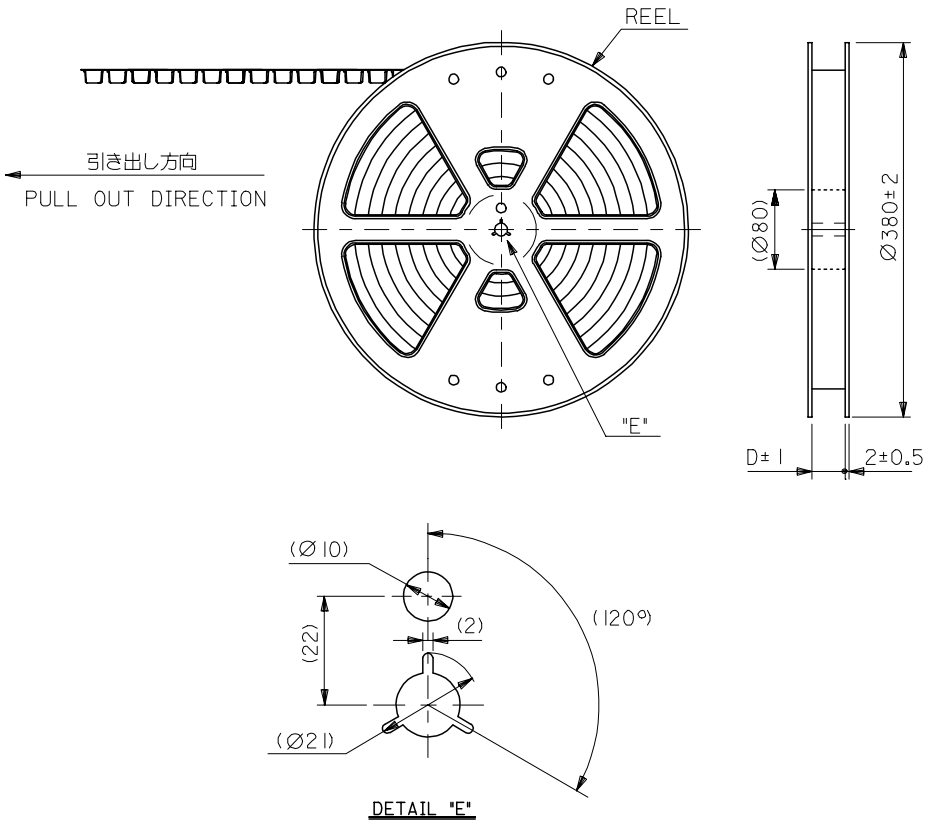
E

D

C

B

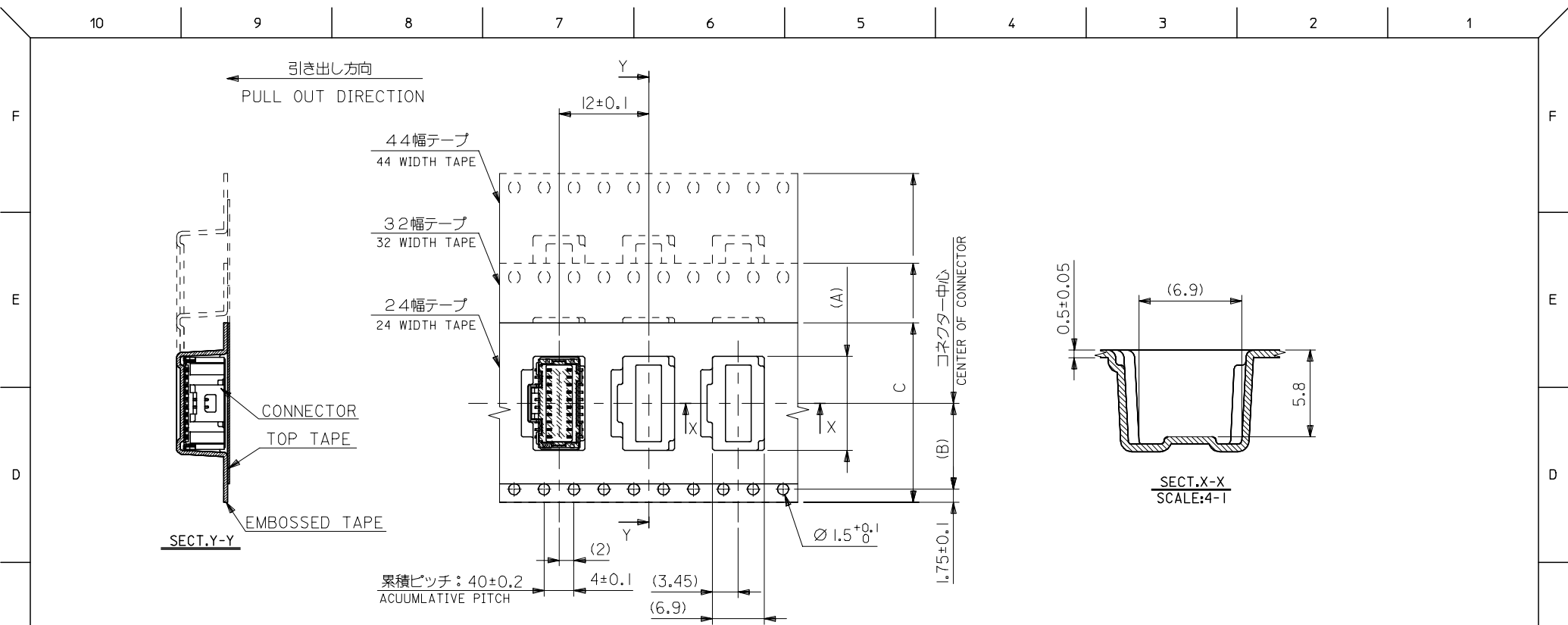
A



NOTES

- 製品詳細寸法については SD-501190-003 を参照ください。  
RE DETAILED DIMENSION, SEE SD-501190-003
- 梱包数量：1100個/リール  
NUMBER OF CONNECTORS：1100PIECES/REEL
- リードテープ長さ  
LEAD TAPE LENGTH
- トップテープの剥離強度：0.1～1.3N(10.2～132.5gf) (剥離方向は下図参照)  
PEELING OFF FORCE OF TOP TAPE (PEELING DIRECTION AS SHOWN IN FOLLOWING FIGURE)  
尚、本規格値は、出荷時に適用。(但し、輸送時に剥離が発生しないこと)  
THIS REQUIREMENT SHOULD BE APPLIED AT SHIPMENT. PEEL OFF SHOULD NOT BE ALLOWED, DURING TRANSPORTATION.
- 材料  
MATERIAL  
キャリアテープ：ポリプロピレン  
CARRIER TAPE: POLYPROPYLENE  
トップテープ：PET, PE, REF  
TOP TAPE  
リール：ポリスチレン (リサイクル材を含む)  
REEL: POLYSTYRENE (RECYCLE MATERIAL CONTAINED)

REVISED EC NO: J2005-2879 DRAWN: NYOSHIDA 2005/03/29 CHKD: MYAGI 2005/03/29 APPR: ANODA 2005/03/30	GENERAL TOLERANCES (UNLESS SPECIFIED)		DIMENSION STYLE MM ONLY		SCALE ---	DESIGN UNITS METRIC	THIRD ANGLE PROJECTION	
	10 UNDER	±0.2	DRAWN BY NYOSHIDA	DATE 2004/12/17	TITLE 1.0 WIRE TO BOARD CONN. WAFER ASS'Y (2-ROW S/T) EMBTB PKG -LEAD FREE-			
	10 OVER 30 UNDER	±0.25	CHECKED BY MYAGI	DATE 2004/12/17	MOLEX INCORPORATED DOCUMENT NO. SD-501190-004 SHEET NO. 1 OF 2			
	30 OVER	±0.3	APPROVED BY ANODA	DATE 2004/12/17				
	ANGULAR	±3 °	MATERIAL NO. SEE SHEET 2					
DRAFT WHERE APPLICABLE MUST REMAIN WITHIN DIMENSIONS		SIZE A3		THIS DRAWING CONTAINS INFORMATION THAT IS PROPRIETARY TO MOLEX INCORPORATED AND SHOULD NOT BE USED WITHOUT WRITTEN PERMISSION				



無 NO	45.5	44±0.3	20.2	27.6	501190-5029	501190-5027	50
				22.6	501190-4029	501190-4027	40
	33.5	32±0.3	14.2	17.6	501190-3029	501190-3027	30
	25.5	24±0.3	11.5	12.6	501190-2029	501190-2027	20
有 YES	45.5	44±0.3	20.2	27.6	501190-5019	501190-5017	50
				22.6	501190-4019	501190-4017	40
	33.5	32±0.3	14.2	17.6	501190-3019	501190-3017	30
	25.5	24±0.3	11.5	12.6	501190-2019	501190-2017	20
吸着用カバーテープの有無 COVER TAPE	D	C	(B)	(A)	CONNECTOR	MATERIAL NO.	CKTS.

REVISED EC NO: J2005-2879 DRAWN: NYOSHIDA CHKD: MYAGI APPR: ANODA	DESCRIPTION	GENERAL TOLERANCES (UNLESS SPECIFIED)	DIMENSION STYLE MM ONLY	SCALE ---	DESIGN UNITS METRIC	THIRD ANGLE PROJECTION
	10 UNDER	±0.2	DRAWN BY NYOSHIDA	DATE 2004/12/17	TITLE 1.0 WIRE TO BOARD CONN. WAFER ASS'Y (2-ROW S/T) EMBTP PKG -LEAD FREE-	
	10 OVER 30 UNDER	±0.25	CHECKED BY MYAGI	DATE 2004/12/17	MOLEX INCORPORATED	
	30 OVER	±0.3	APPROVED BY ANODA	DATE 2004/12/17	DOCUMENT NO. SD-501190-004	SHEET NO. 2 OF 2
	ANGULAR	±3 °	MATERIAL NO. SEE CHART			
A	REV	DRAFT WHERE APPLICABLE MUST REMAIN WITHIN DIMENSIONS		THIS DRAWING CONTAINS INFORMATION THAT IS PROPRIETARY TO MOLEX INCORPORATED AND SHOULD NOT BE USED WITHOUT WRITTEN PERMISSION		