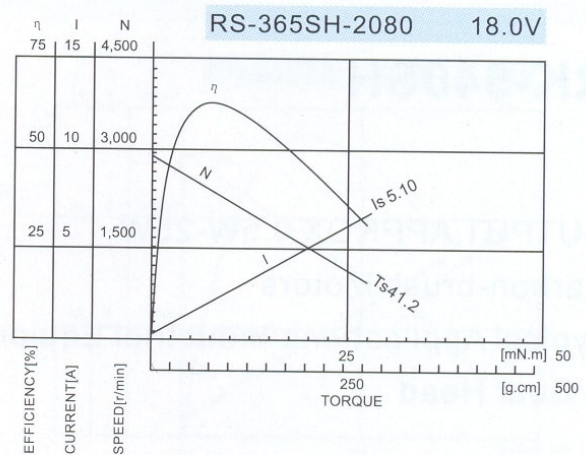
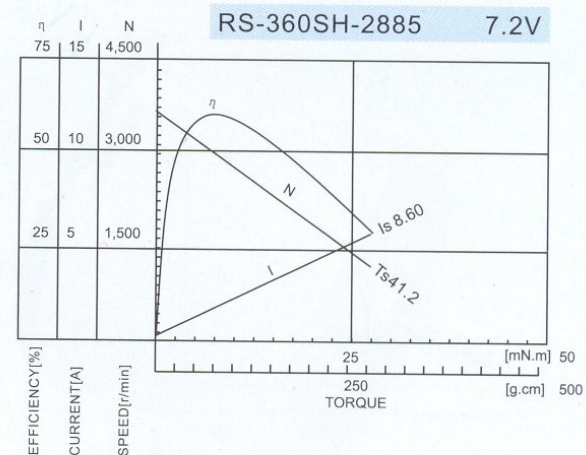


WEIGHT:55g(APPROX)



RS-360/365SH

OUTPUT: APPROX 0.1W-40W

Carbon-brush Motors

Typical Applications/Office Automation Equipments:

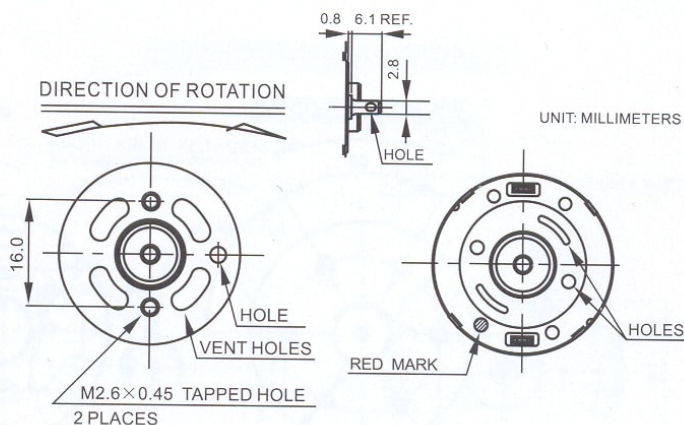
- Copy Machine

Precision Instruments:

- Automatic Vending Machine

Home Appliances:

- Massager / Vibrator



MODEL	VOLTAGE		NO LOAD		AT MAXIMUM EFFICIENCY				STARTING			
	OPERATING RANGE	NOMINAL	SPEED	CURRENT	SPEED	CURRENT	TORQUE		OUTPUT	TORQUE		CURRENT
			r/min	A	r/min	A	mN.m	g.cm	W	mN.m	g.cm	A
RS-360SH-2885	3~9	7.2V	12500	0.36	10380	1.76	7.00	71.3	7.59	41.2	420	8.60
RS-365SH-2080	6~20	12V	12800	0.19	10410	0.83	5.59	56.9	6.08	29.9	305	3.60
		18V	19400	0.22	16060	1.06	7.09	72.2	11.9	41.2	420	5.10