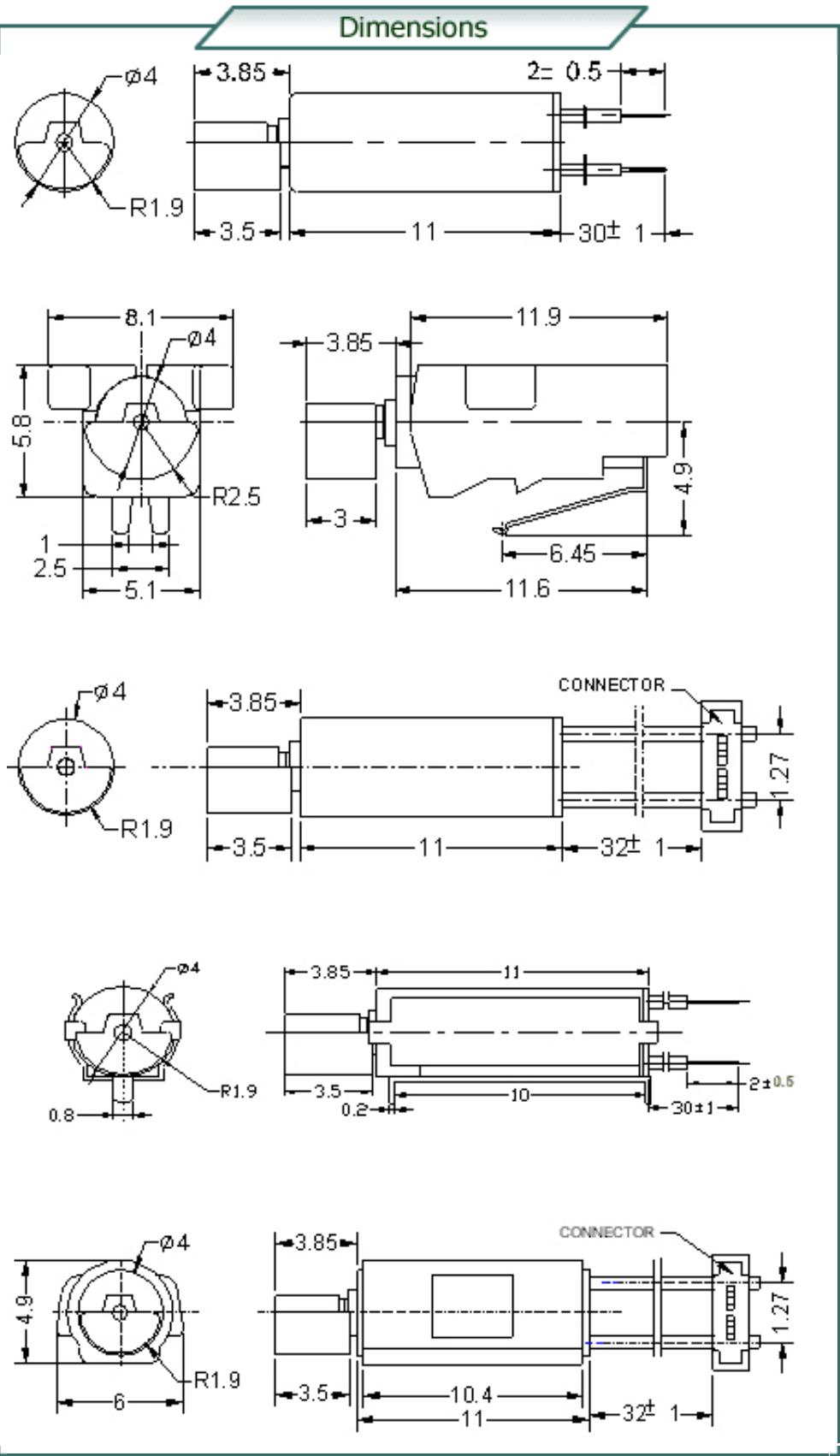




QX-4B



QX-4B01-H



QX-4B-C



QX-4B-J



QX-4B-C-H

Model	Rated Voltage	Operating voltage	Rated Current	Rated Speed	Starting Voltage	Stall current	Terminal Resistance	End play of Shaft	Weight(approx)
	V	V	mA	rpm	V	mA	Ω(approx)	mm	g
QX4B	1.3	0.9-1.6	80Max	10500±2000	0.9Max	120Max	12	0.1-0.2	1.1
QX4B	3	2.0-3.6	80Max	11500±2500	2.0Max	100Max	34	0.1-0.2	1.1

► Dimensions of vibrator and holder can be tailor-made according to the customer's needs