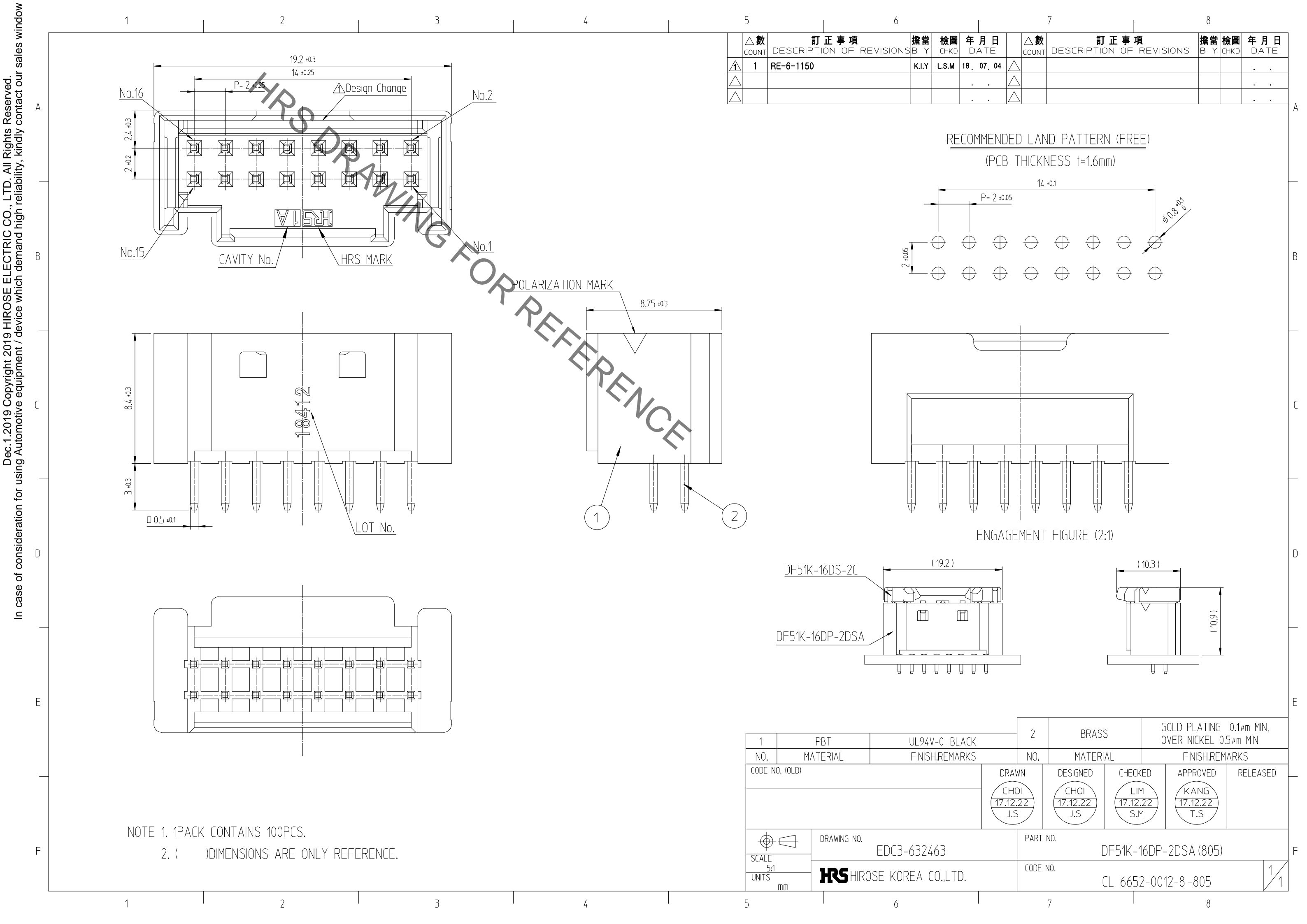
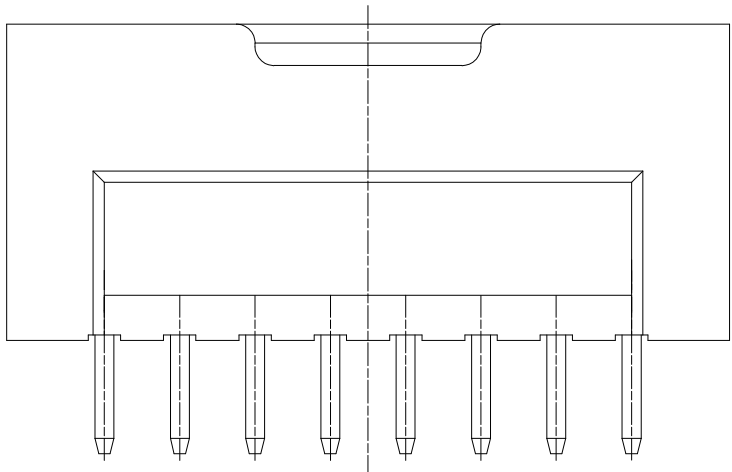
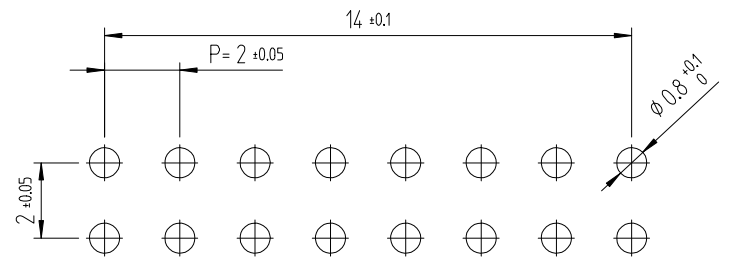


In case of consideration for using Automotive equipment / device which demand high reliability, kindly contact our sales window.

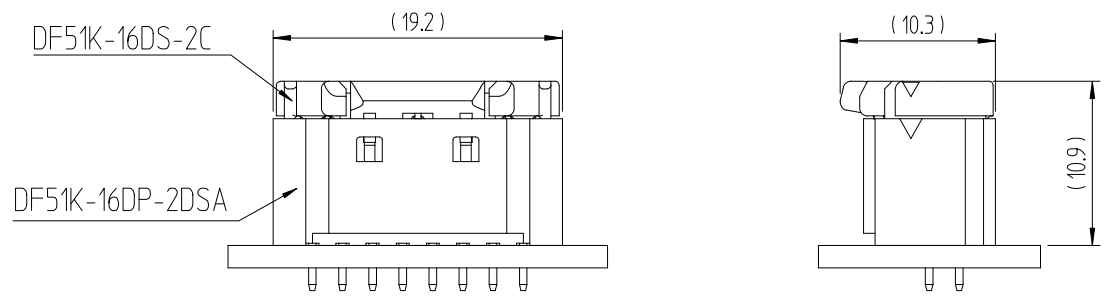


| △數 COUNT | 訂正事項 DESCRIPTION OF REVISIONS | 擔當 B Y | 檢圖 CHKD | 年月日 DATE | △數 COUNT | 訂正事項 DESCRIPTION OF REVISIONS | 擔當 B Y | 檢圖 CHKD | 年月日 DATE |
|-------------|----------------------------------|-----------|------------|-------------|-------------|----------------------------------|-----------|------------|-------------|
| 1 | RE-6-1150 | K.I.Y | L.S.M | 18. 07. 04 | | | | | |
| | | | | | | | | | |
| | | | | | | | | | |

RECOMMENDED LAND PATTERN (FREE)
(PCB THICKNESS t=1.6mm)



ENGAGEMENT FIGURE (2:1)



NOTE 1. 1PACK CONTAINS 100PCS.
2. () DIMENSIONS ARE ONLY REFERENCE.

| | | | | | |
|----------------------------|----------|----------------|-----------------------------------|-------------------------|--------------------------------------------------|
| 1 | PBT | UL94V-0, BLACK | 2 | BRASS | GOLD PLATING 0.1μm MIN, OVER NICKEL 0.5μm MIN |
| NO. | MATERIAL | FINISH,REMARKS | NO. | MATERIAL | FINISH,REMARKS |
| CODE NO. (OLD) | | | DRAWN | DESIGNED | CHECKED |
| | | | CHOI 17.12.22 J.S | CHOI 17.12.22 J.S | LIM 17.12.22 S.M |
| | | | APPROVED | | |
| | | | KANG 17.12.22 T.S | | |
| | | | RELEASED | | |
| | | | | | |
| DRAWING NO. EDC3-632463 | | | PART NO. DF51K-16DP-2DSA (805) | | |
| SCALE 5:1 | | | CODE NO. CL 6652-0012-8-805 | | |
| UNITS mm | | | HRS HIROSE KOREA CO.,LTD. | | |
| | | | 1/1 | | |