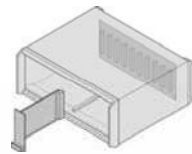


Desk-top cases *propac*PRO



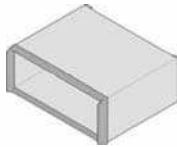
Form and function for the measurement



Mounting possibility
for euroboards and
backplanes



VDE compliant
GND/earthing



Extremely stable
one-pieced die-cast
frame



Low self weight



propacPRO...

... offers protection for high-value sensitive electronics

✔ effective shielding concept

... variable designs

✔ individual design elements and optional colour schemes

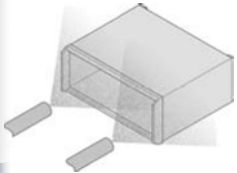
✔ alternative design to compacPRO

... and applicable universally

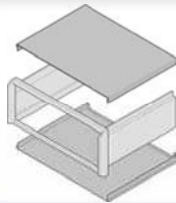
✔ wide accessories program, matched to portable applications

✔ flexible in configuration: 19" components (euroboards) or individually (e.g. chassis plates)

and control technology



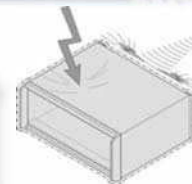
Scratch-resistant powder coated surface



Easy accessibility through removable covers



Extensive accessory program with acrylic glass front doors, carrying handles, etc.



EMC version



You have the choice:

- ✓ pre-configured complete cases
- ✓ empty cases for individual configuration
- ✓ assembly service – from 1 case on!

Your advantages are:

- ✓ saving time
- ✓ saving money
- ✓ using competence

Without
modification

max. 7 workdays



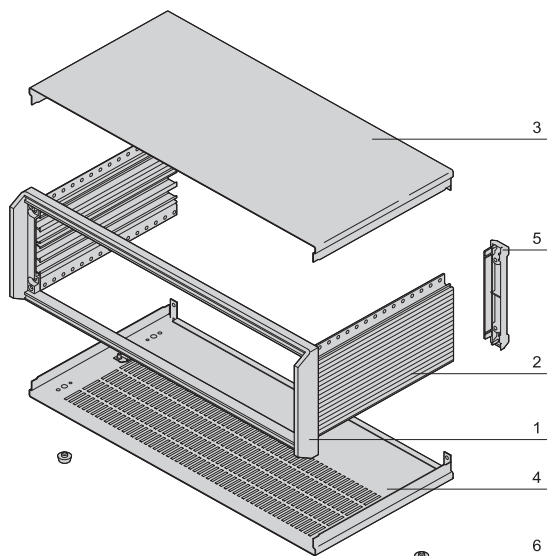
Delivery time
after incoming order

With
individual modification

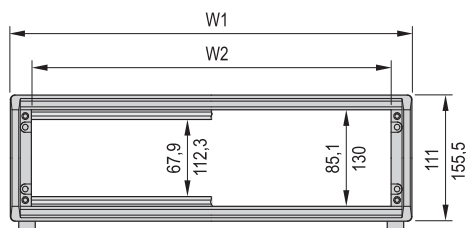
max. 12 workdays

Desk-top enclosure *propac*PRO

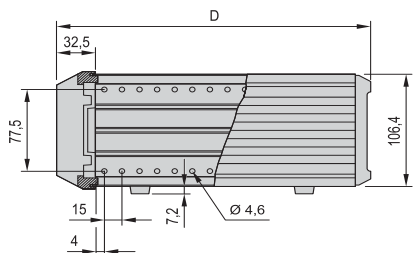
Cases 2 and 3 U



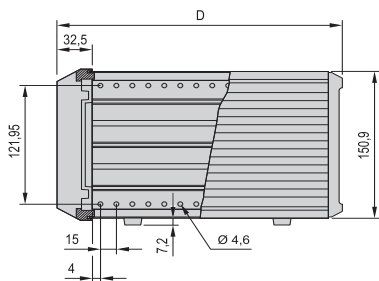
05806057



05806077



05806059



05806060

Delivery comprises (Kit, Items 1 ... 4 assembled)

Item	Qty	Description
1	1	Frame, Al die-cast, powder-coated, RAL 7016
2	2	Side panel, Al extrusion, powder-coated, RAL 9006
3	2	Top cover, Al, 1 mm, internal surfaces conductive, visible surface powder-coated, RAL 9006, with GND/earthing tag
4	2	Base plate, Al, 1 mm, internal surfaces conductive, visible surface powder-coated, RAL 9006, with GND/earthing tag, with 4 rows of ventilation slots
5	2	Foot for rear panel, ABS, RAL 7016, UL 94 V-0
6	4	Case foot with anti-slip protection, PC, black, UL 94 V-0
7	1	Assembly kit

Order Information

Usable width	Width W1	Depth D	2 U	3 U	
W2	W2		Order no.	Order no.	
HP	mm	mm			
28	147.3	147.3	266	-	14576-101
28	147.3	147.3	326	-	14576-103
42	218.4	257	266	14576-021	14576-121
42	218.4	257	326	14576-023	14576-123
42	218.4	257	386	-	14576-125
63	325.1	363.7	266	14576-041	14576-141
63	325.1	363.7	326	14576-043	14576-143
63	325.1	363.7	386	14576-045	14576-145
84	431.8	470.3	266	-	14576-161
84	431.8	470.3	326	-	14576-163
84	431.8	470.3	386	-	14576-165
84	431.8	470.3	446	-	14576-167
84	431.8	470.3	506	-	14576-169

Max. mounting depth = D - 45

(Usable width: front panel - rear panel)

Note

- Dimensions side panel, see page 8

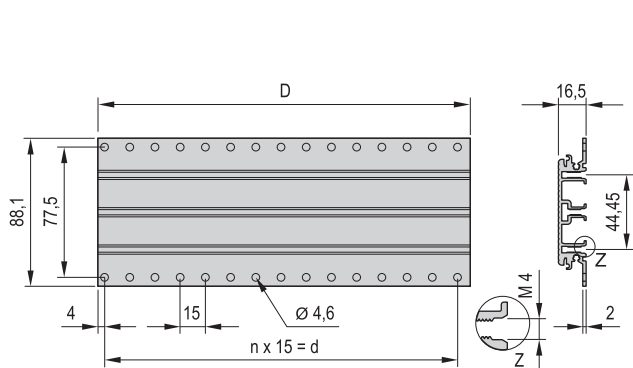


For further information www.schroff.biz/oneclick
oneClick code = Order no.

Desk-top enclosure *propac*PRO

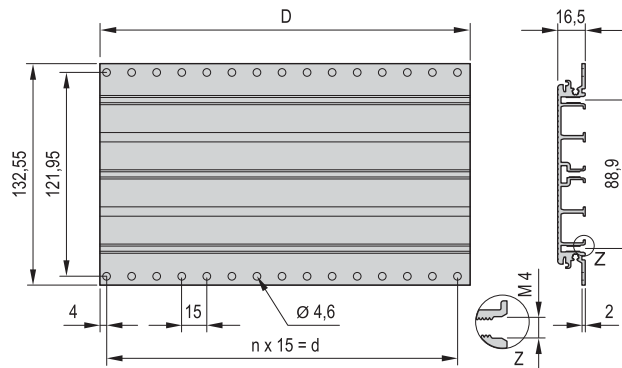
Dimensions

Extruded side panel 2 U



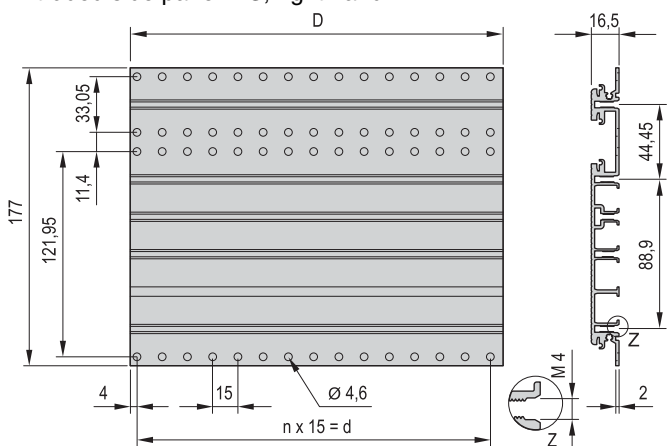
05806079

Extruded side panel 3 U



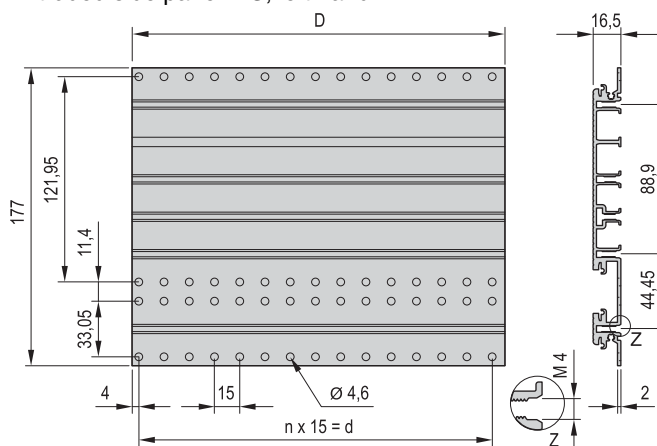
05806080

Extruded side panel 4 U, right hand



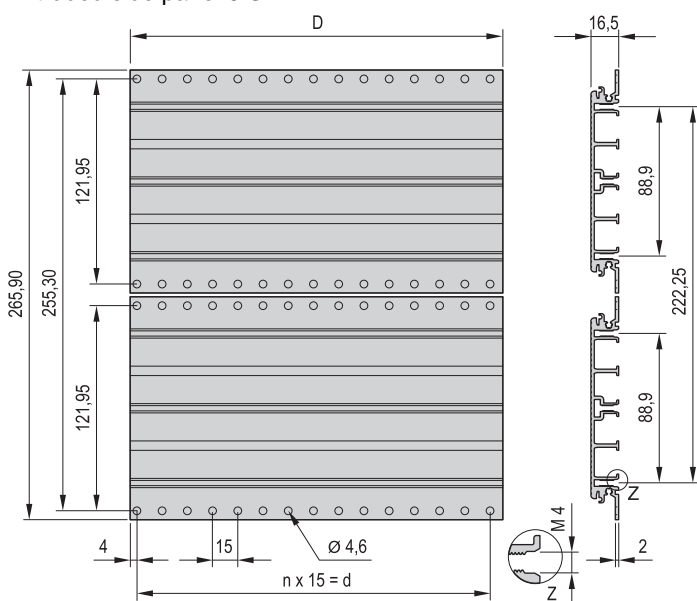
05806081

Extruded side panel 4 U, left hand



05806082

Extruded side panel 6 U



05806083

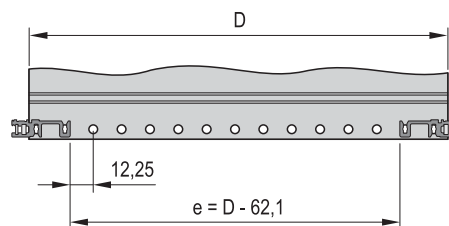
Dimensions

For case depth	D	d	n
mm	mm	mm	
266	221,6	210	14
326	281,6	270	18
386	341,6	330	22
446	401,6	390	28
506	461,6	450	30

Note

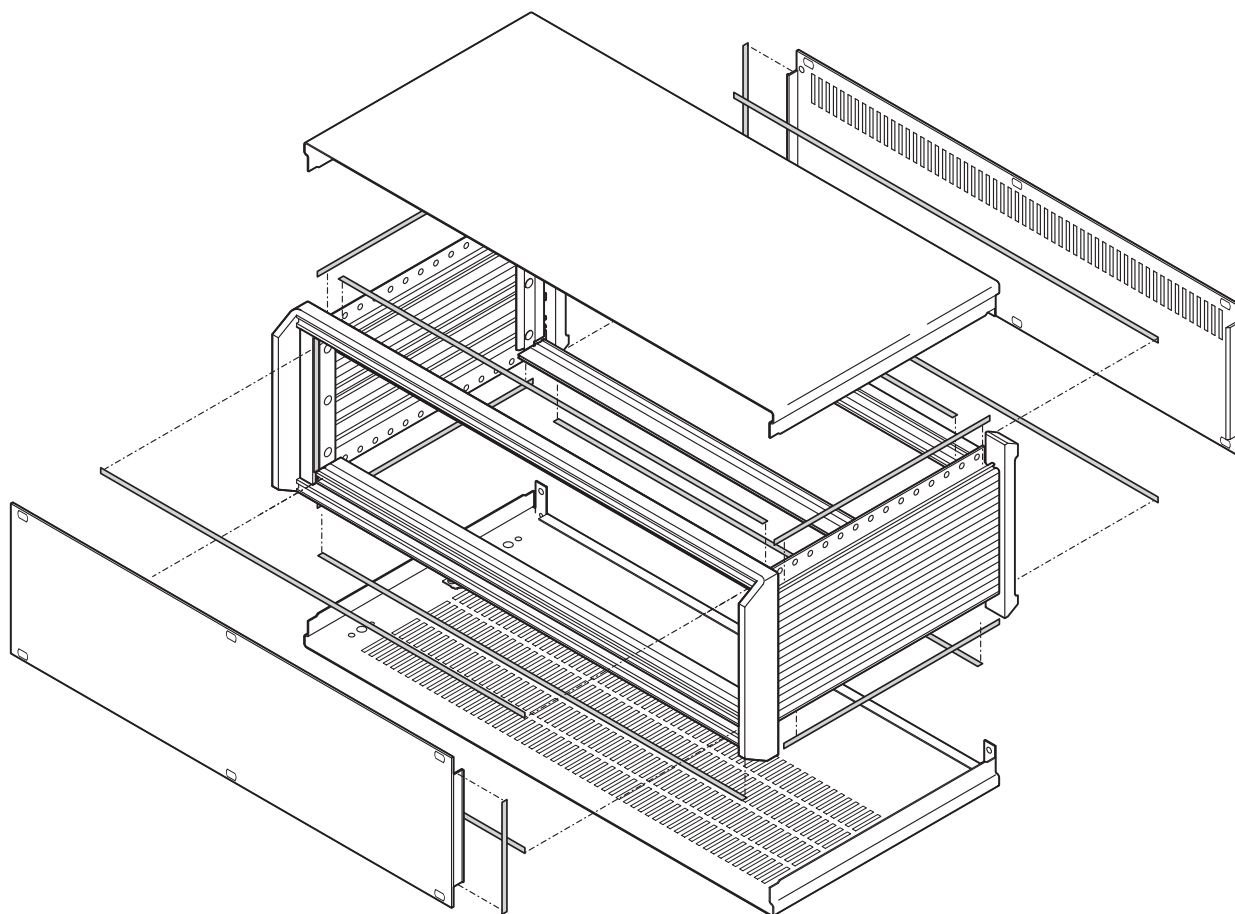
A side panel for case 6 U consists of 2 pieces extruded side panels 3 U

Side panel with horizontal rail



05806107

EMC shielding



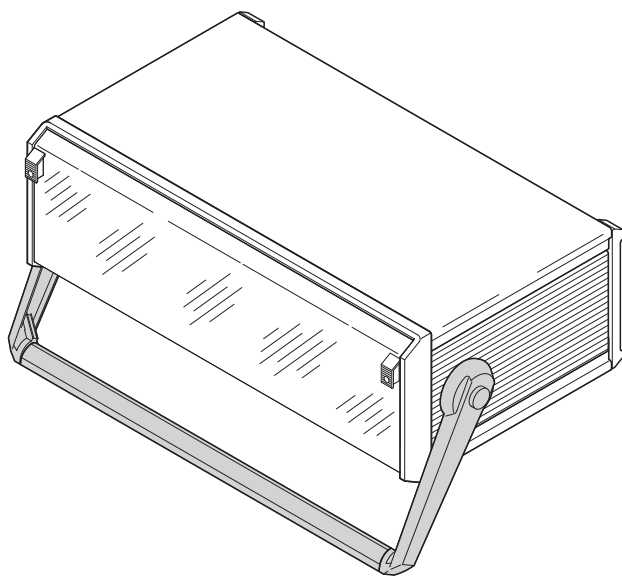
05806104

EMC accessories consist of contact strips that serve for gasketing between the individual parts:

- **EMC shielding cover plate (top/bottom) - horizontal rail, see page 24**
- EMC shielding cover plate (top/bottom) - side panel, see page 14
- EMC shielding front/rear panel - horizontal rail, see page 22
- EMC shielding front/rear panel - side panel, see page 16

Desk-top enclosure *propac* PRO

Tip-up carrying handle



05806101

- With powder-coated carrying bar
- Can be locked in 30° increments
- Load-carrying capacity 20 kg

Delivery comprises (Kit)

Item	Qty	Description
1	1	Carrying bar, Al extrusion, powder-coated, RAL 7016
2	2	Handle side part, Zn, die-cast, powder-coated, eloxal decor, length 180 mm
3	2	Safety insert, St, 1.5 mm, black
4	1	Assembly kit for side panel mounting

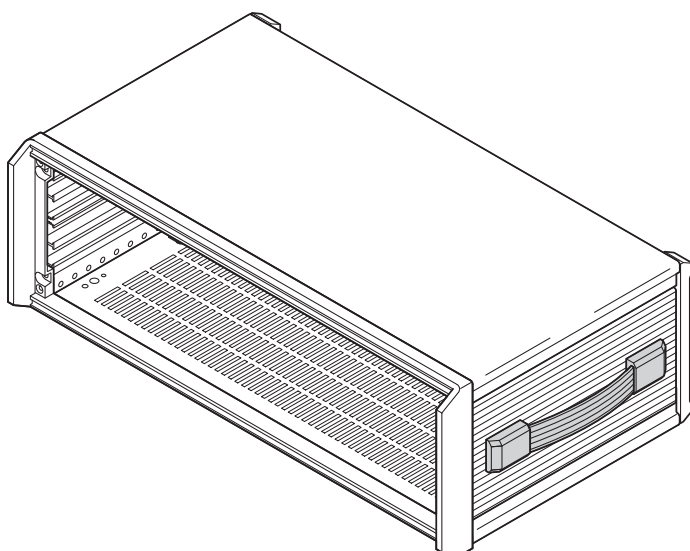
Order Information

For case width	Order no.
HP	
28	24576-070
42	24576-071
63	24576-072
84	24576-073



For further information www.schroff.biz/oneclick
oneClick code = Order no.

Strap handle



05806098

- Load-carrying capacity: 20 kg

Delivery comprises

Item	Qty	Description
1	1	Strap, spring steel, handle, flexible plastic, grey, RAL 7016
2	2	Cover, grey, RAL 7016
3	1	Assembly kit

Order Information

Description	Order no.
Strap handle with adaptor	20850-249

Note

- Usable from case depth of T = 326 mm



For further information www.schroff.biz/oneclick
oneClick code = Order no.