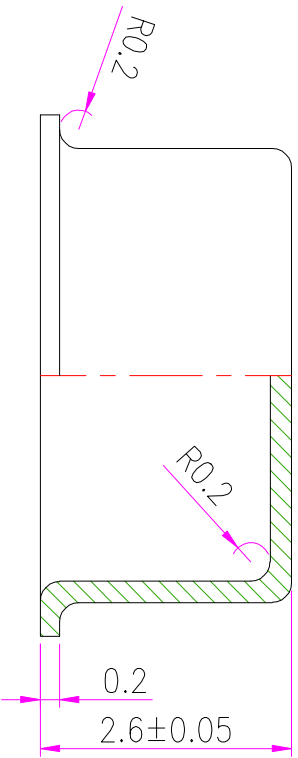
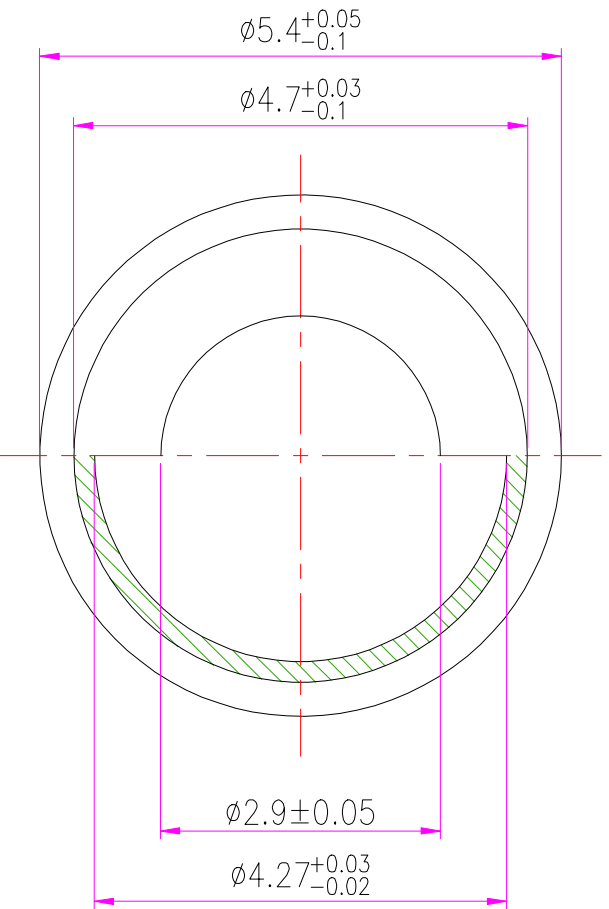


ITEM	DESCRIPTION	MATERIAL	Q'TY	SIZE	PART DRAWN NO	WT(Kg)
02	TO-46-2.9 CAP	SPCC	-	-		



NOTE

- *Material : SPCC
- *Thickness : 0.2t
- *Finish : Ni Plating 5~8µm

Designed by	Checked by	Approved	Reference	Date	Scale	Sheet
				2016.08		
			Project Title		Cap	
			Drawing No.		GEC - TO46C-290	
Mark	Revision	Date	Drawn	Check	Appr	Note
①						
②						
③						