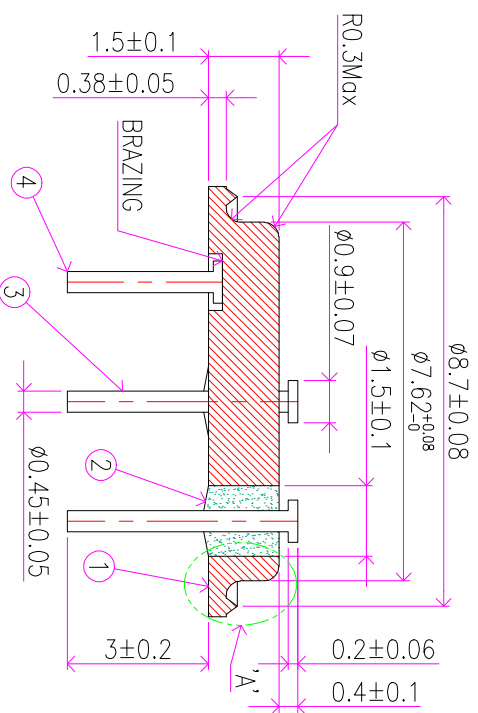
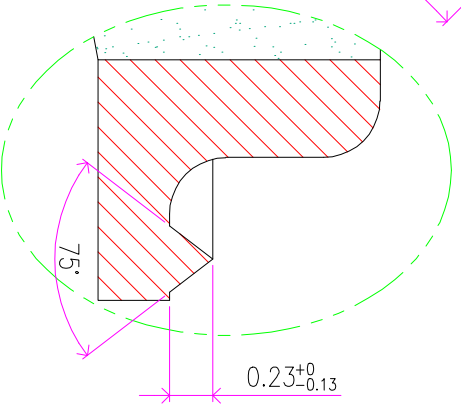
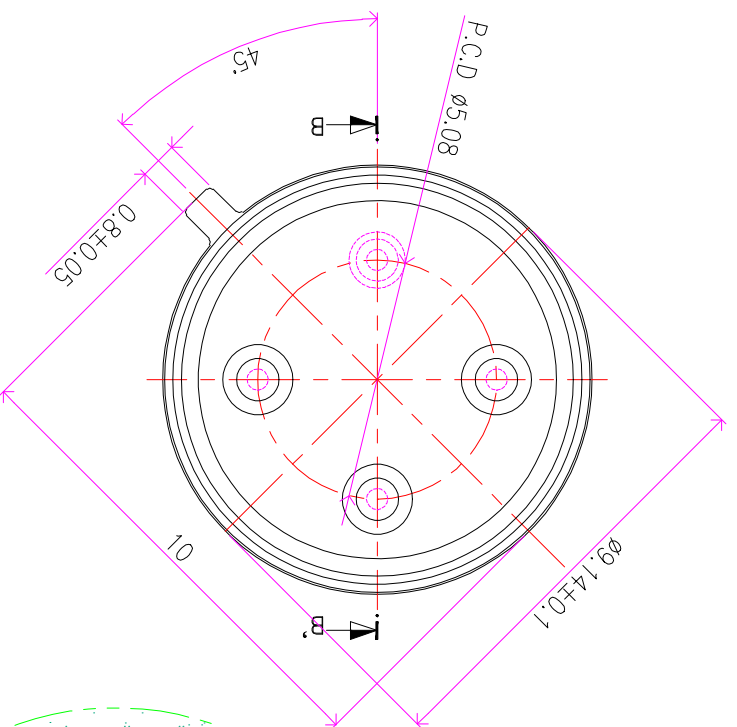


ITEM	DESCRIPTION	MATERIAL	QTY	SIZE	PART DRAWN NO	WT(Kg)
1	HEADER	SPCC	1	-	JD-MH-027	-
2	GLASS	HARD	3	-	JD-MG-041	-
3	LEAD	KOVAR	3	-	JD-ML-074	-
4	GND LEAD	KOVAR	1	-	JD-ML-073	-
5	BRAZED	Bag-8	1	-	JD-MG-007-3	-



Section B-B'

Detail of 'A'
<Scale 4:1>

NOTE
 1. Insulation level : AC500V 1Sec, Not electrified;
 2. Lead : $\leq 1X10^{-8}$ atm.cc/sec;
 3. Insulation resistance : Header & Lead ≥ 10 DC200V $> 10G\Omega$;
 4. Lead Soldering level : > 3.0 Kg.
 5. Ni-ELP 3~5 μ m + Au PLATING 0.03 μ m Min.

Designed by	Checked by	Approved	Reference	Date	Scale	Sheet
		JD-B-106-1Au		2015.07	-	
Tarom ELECTRONICS CORP.			Project Title			
			TO-39-2 3P4L OUTER3 0			
Tarom ELECTRONICS CORP.			Drawing No.			
			GEC-T039-106			
Mark	Revision	Date	Drawn	Check	Appr	Note
Ⓒ						
Ⓑ						
Ⓐ						