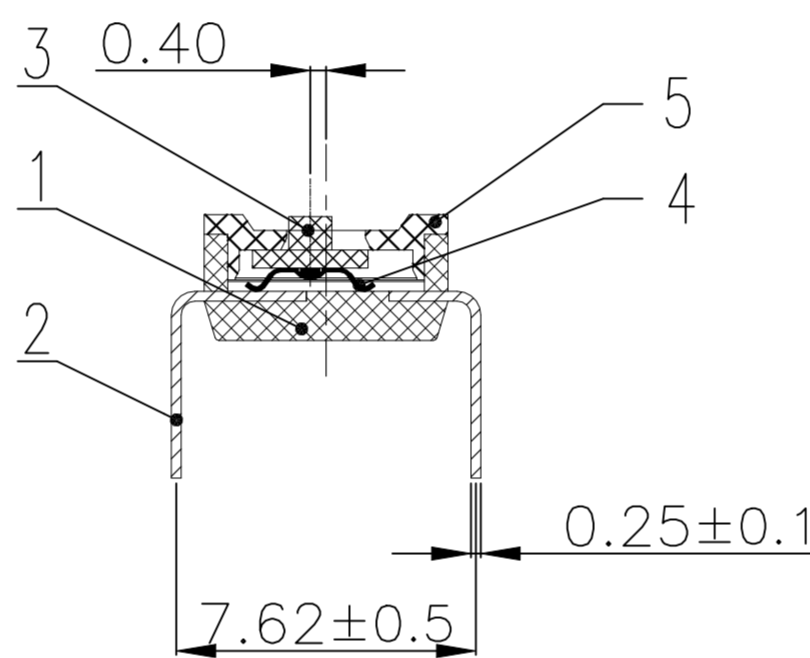
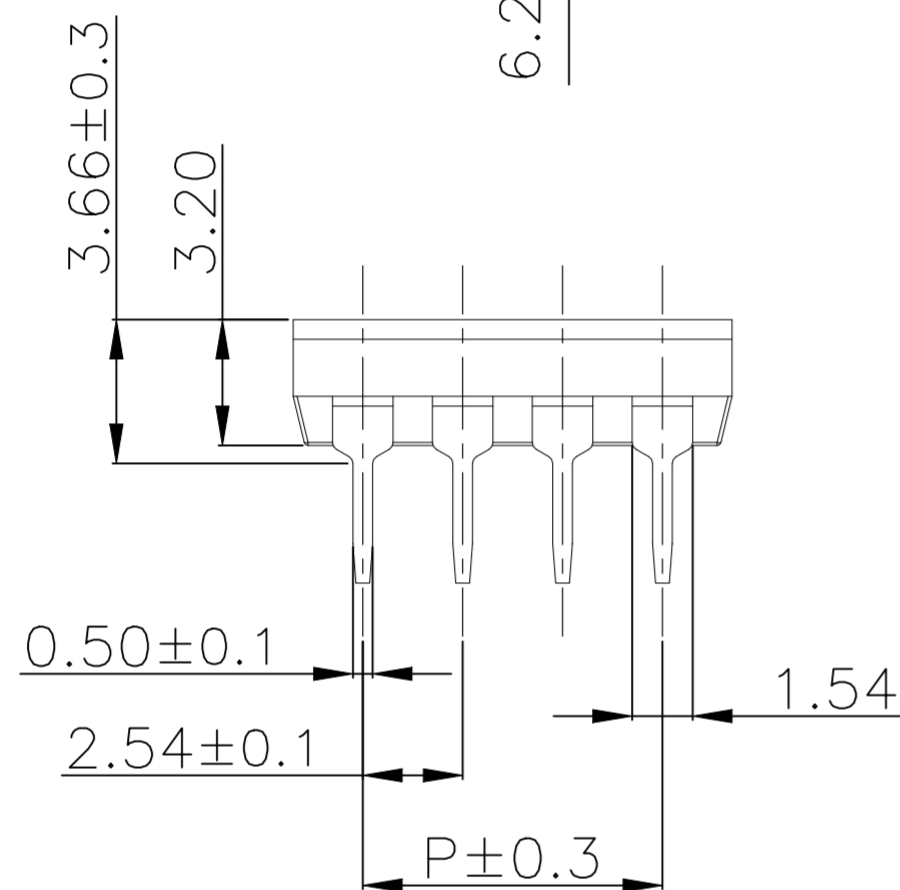
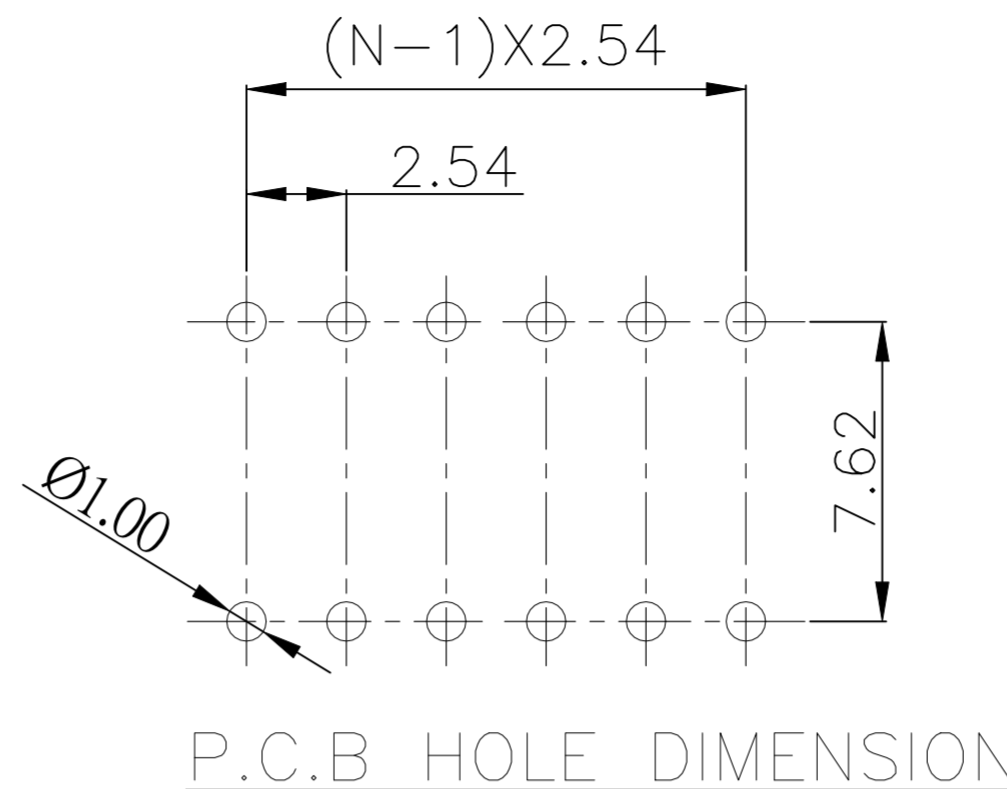
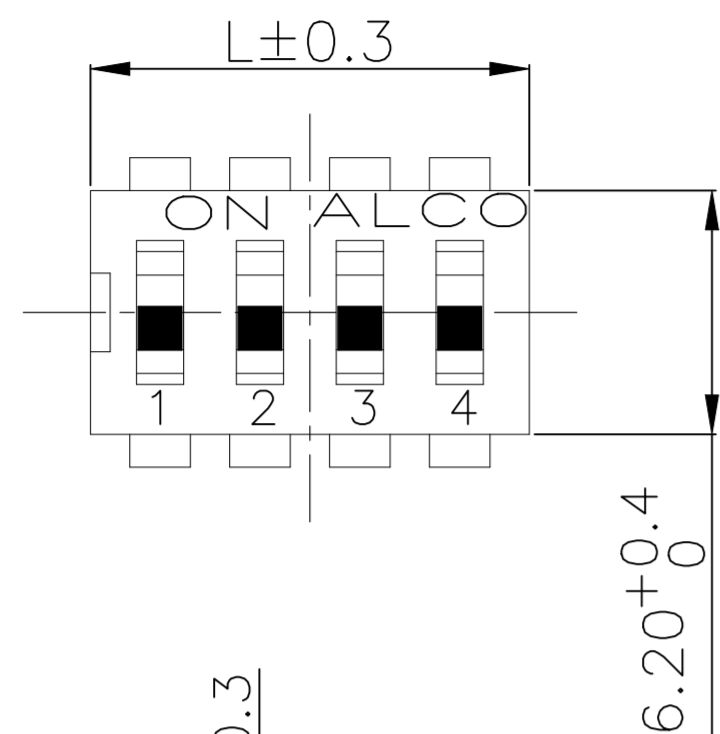


REVISIONS					
P	LTR	DESCRIPTION	DATE	DWN	APVD
1		NEW DRAWING	19MAY2023	LP	MY



SPECIFICATION

- Rating :
  - Switching : 25mA,24VDC
  - Non-Switching : 100mA,50VDC
- Contact Resistance :
  - Initial 50mΩ Max
  - After Life Test 150mΩ Max
- Insulation Resistance : 100MΩ Min/500 VDC
- Withstand Voltage: 500VAC for 1 minute
- Operating Force : 1Kgf Max
- Stroke : 0.9mm
- Mechanical Life : 1,000 Cycles
- Electrical Life : Min 1,000 Cycles/25mA,24VDC
- Operating Temperature guarantee range : -40°C~+85°C
- Storage Temperature : -40°C~+85°C
- Soldering Information :
  - Wave Soldering : 250±10°C, 5sec Max
  - Manual Soldering : 30W iron, 320±5°C, 3sec Max
  - Keep in "OFF" Position During Soldering

NOTE

- Switches to be Received In The "OFF" Position and Packaged In Clear Tubes to Accommodate Auto Insertion
- Top Surface to be Clearly Marked as Shown
- All raw materials must comply with RoHS

Model No. Explanation  
 ADF N XX T XX 04

MATERIAL:  
 04: ROHS COMPLIANT

PACKAGING:  
 TU: TUBE  
 TR: TAPE REEL

TERMINALS:  
 T: THROUGH HOLE

POSITIONS:  
 SEE TABLE

MODEL TYPE:  
 N: NEXT GEN DIP SWITCH

TYPE:  
 ADF (FLUSH TYPE ACTUATOR, AUTO INSERTABLE THROUGH HOLE DIP SWITCH)

5	COVER	-	PA9T	UL94V-0
4	CONTACT	-	BERYLLIUM COPPER	PLATE : GOLD FLASH/NICKEL
3	ACTUATOR	-	PA46	UL94V-0
2	TERMINAL	-	PHOSPHOR BRONZE	PLATE : GOLD FLASH/NICKEL
1	T/CASE	-	PA9T	UL94V-0
NO.	PART NAME	PART(CODE) NO	MATERIAL	NOTE

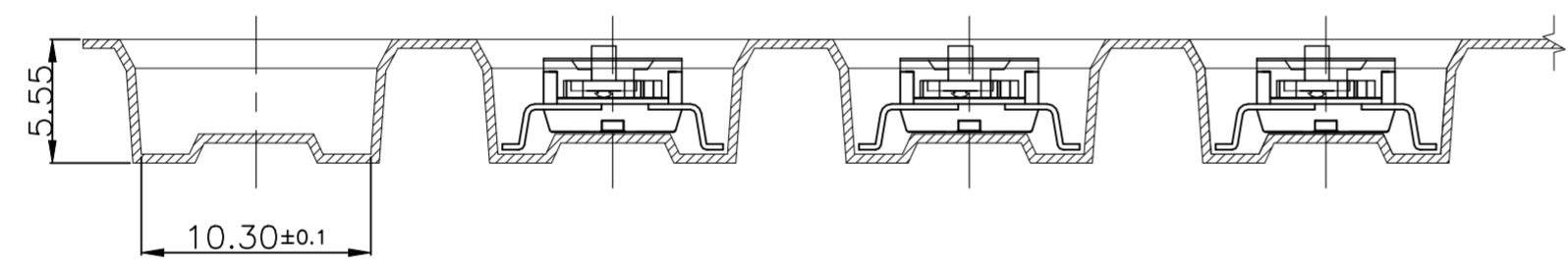
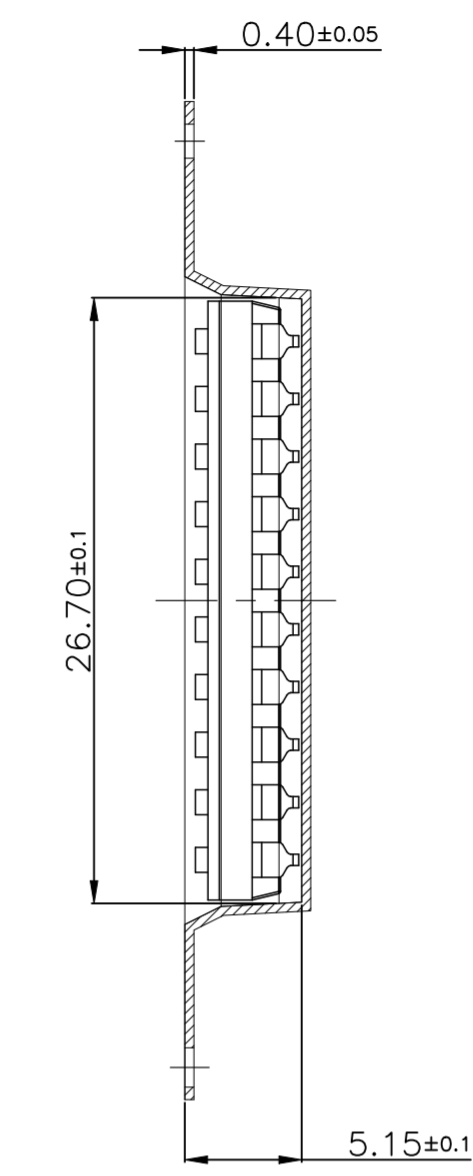
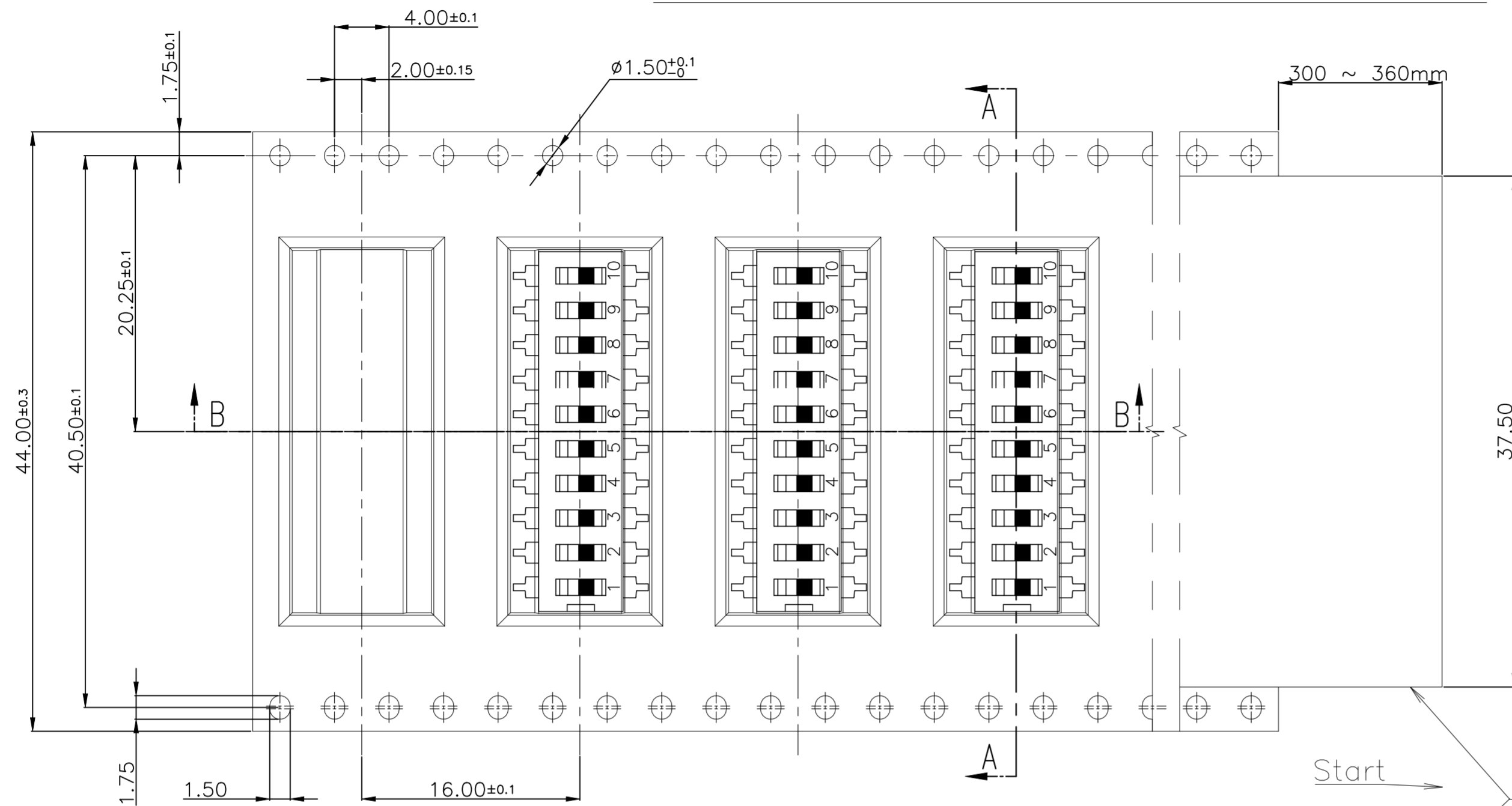
AUTOMOTIVE STANDARD MANAGEMENT TOLERANCE

DIMENSION	0 to 3	3 to 6	6 to 30	30to120	120to400	Angular tolerance unless otherwise specified : ±2'
TORERANCE	±0.15	±0.2	±0.25	±0.3	±0.5	

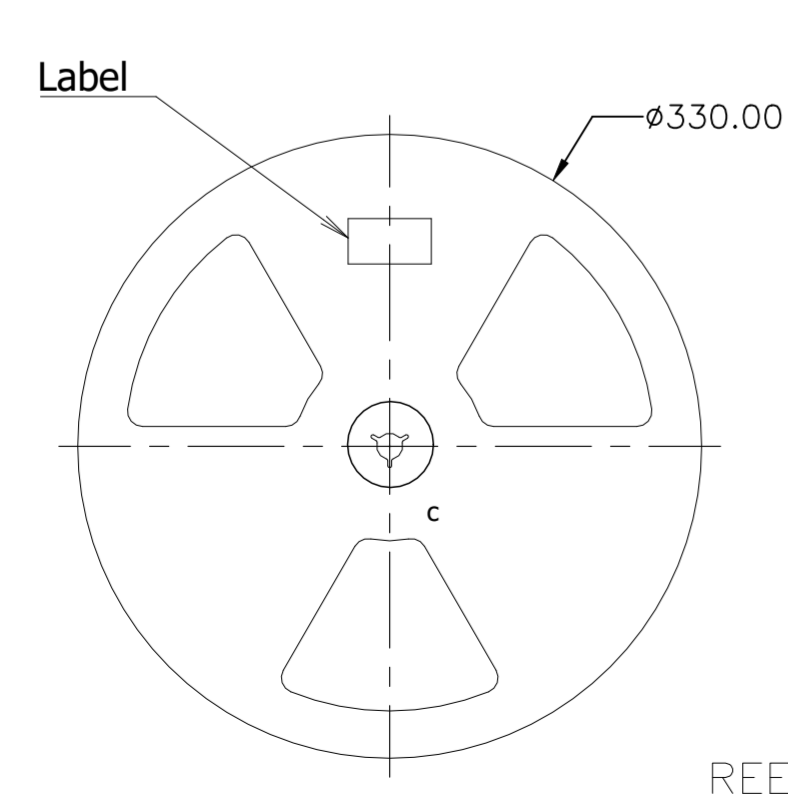
1	ADF NEXT GEN 04 POS. THT TU	4P	11.16	7.62	ADFN04TTU04	2461924-1
SL NO.	DESCRIPTION	POSITION	DIM "L" (mm)	DIM "P" (mm)	TE SMART PN	TE PN
THIS DRAWING IS A CONTROLLED DOCUMENT.			DWN 19MAY2023 LINGANATHAN P			
DIMENSIONS: mm			CHK 19MAY2023 MANOJ. YADAV			
TOLERANCES UNLESS OTHERWISE SPECIFIED:			APVD 19MAY2023 MANOJ. YADAV		NAME	
0 PLC ± -			PRODUCT SPEC		ADF NEXT GEN 04 POS. THT TU	
1 PLC ± -			APPLICATION SPEC		-	
2 PLC ± -			-		-	
3 PLC ± -			-		-	
4 PLC ± -			-		-	
ANGLES ± -			-		-	
FINISH			WEIGHT		RESTRICTED TO	
-			-		-	
MATERIAL			SCALE		SHEET	
-			A2 00779 C=2461924		1 of 2	
CUSTOMER DRAWING			SCALE 1:1		REV 1	

# TAPE & REEL PACKAGING DETAILS

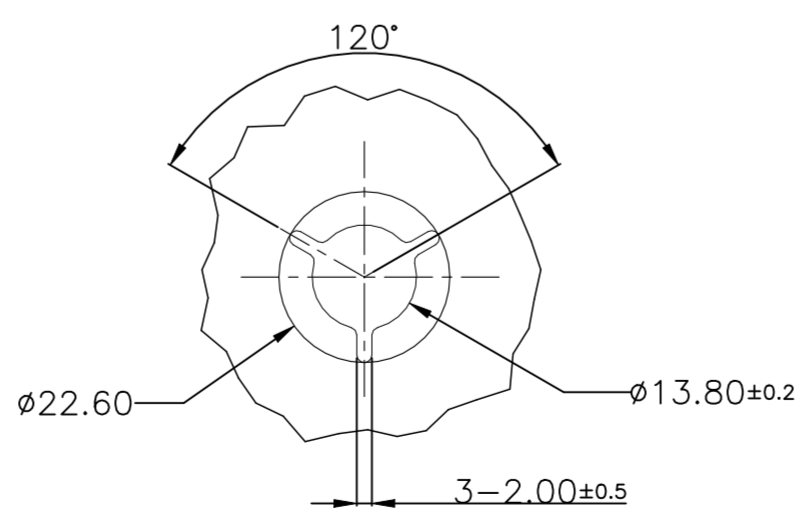
REVISIONS					
P	LTR	DESCRIPTION	DATE	DWN	APVD
-	-	SEE SHEET 1	-	-	-



SECTION B-B



REEL



DETAIL "C" (1:1)

Start

Cover tape

SECTION A-A

Packing Specification		
Non-Pocket Portion	Trailer Portion	200mm [20 pocket min]
	Leader Portion	20 pocket min
S/W Packing Q'TY		800 pcs

THIS DRAWING IS A CONTROLLED DOCUMENT.		DWN 19MAY2023 LINGANATHAN P		
DIMENSIONS: mm		CHK 19MAY2023 MANOJ. YADAV		
TOLERANCES UNLESS OTHERWISE SPECIFIED:		APVD 19MAY2023 MANOJ. YADAV	NAME ADF NEXT GEN 04 POS. THT TU	
0 PLC ± -		PRODUCT SPEC	SIZE A2	
1 PLC ± -		APPLICATION SPEC	CAGE CODE 00779	
2 PLC ± -		WEIGHT	DRAWING NO C=2461924	
3 PLC ± -		FINISH	RESTRICTED TO	
4 PLC ± -		CUSTOMER DRAWING	SCALE 1:1 SHEET 2 OF 2 REV 1	
ANGLES ± -				