

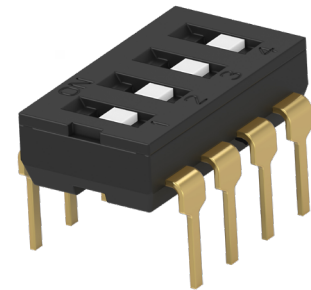
# ALCOSWITCH NEXT GENERATION DIP SWITCH

## ADE & ADF SERIES

### INTRODUCTION

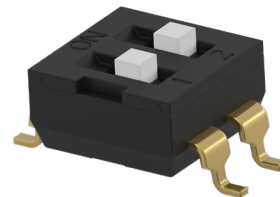
TE Connectivity's (TE) ALCOSWITCH Next Gen. DIP switch ADE (Extended actuator) and ADF (Flush type actuator) series are designed for space-saving and streamlined manufacturing with high contact pressure allowing for aqueous cleaning with virtually no need for tape sealing.

The ALCOSWITCH ADE and ADF series are available in through-hole and surface-mount options. The styles of actuators are based on respective series: ADE with extended actuators, ADF with flush actuators. ADE/ ADF are available in both tube and tape/reel packaging options.



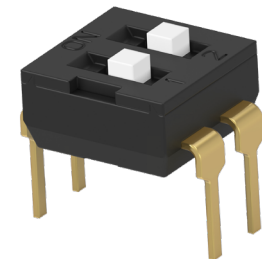
### BENEFITS

- Raised (extended) or recessed (flush) for design flexibility.
- Through-hole & surface mounted.
- Extremely high contact pressure system allows aqueous or solvent cleaning with virtually no need for tape sealing.
- Gold contact plating for high reliability and corrosion resistance.
- Tape and reel packaging available for quick pick-and-place assembly.



### APPLICATIONS

- Industrial and automated control boards
- Fire and security systems
- Thermostats
- Elevator/Escalator
- Telecommunication devices



### KEY FEATURES

- Better space management because of low profile design, 30% smaller in size compared to conventional dip switches available in market.
- Sliding type contact supports better performance and higher reliability when compared to conventional seesaw type contact.

# ALCOSWITCH NEXT GENERATION DIP SWITCH

## ADE & ADF SERIES

### ELECTRICAL CHARACTERISTICS

|                       |  |
|-----------------------|--|
| Rating:               |  |
| Switching             | 25mA, 24VDC                              |
| Non-switching         | 1A, 5VDC                                 |
| Contact resistance:   |  |
| Initial               | 50mΩ                                     |
| After life test       | 100mΩ Max                                |
| Insulation resistance | 100MΩ / 500VDC                           |
| Withstand voltage     | 500 VAC for 1 minute                     |
| Life                  | Min 1,000 Cycles / 25mA,24VDC            |
| Switching cycles      | 20 cycles within 1 minute @100mA current |

### MECHANICAL CHARACTERISTICS

|                       |                  |
|-----------------------|------------------|
| Operating force       | 1Kgf max         |
| Stroke                | 0.9mm            |
| Life cycles           | Min 1,000 Cycles |
| Operating temperature | -40°C to +85°C   |
| Storage temperature   | -40°C to +85°C   |

### MATERIALS

|          |                                       |
|----------|---------------------------------------|
| Cover    | PA9T (UL94V-O)                        |
| Contact  | BeCu, Au flash over nickel            |
| Terminal | Phosphor bronze, Au flash over nickel |
| Actuator | PA46 (UL94V-O)                        |
| T/Case   | PA9T (UL94V-O)                        |

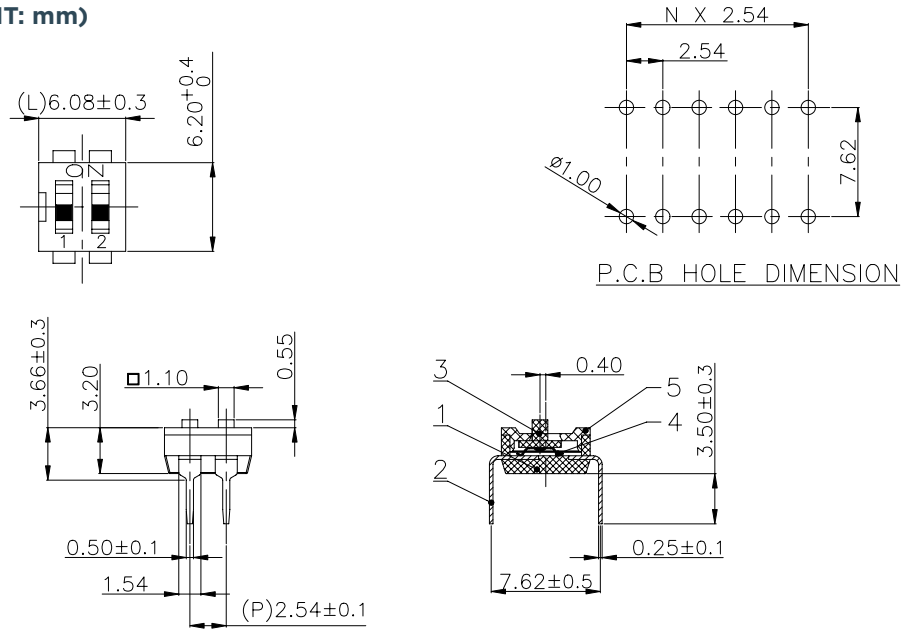
### SOLDERING INFORMATION

1. Reflow soldering: 260°C, 10 sec max (Peak temperature)
2. Manual soldering: 30W iron, 320±5°C, 3 sec max
3. Keep in "OFF" position during soldering

# ALCOSWITCH NEXT GENERATION DIP SWITCH

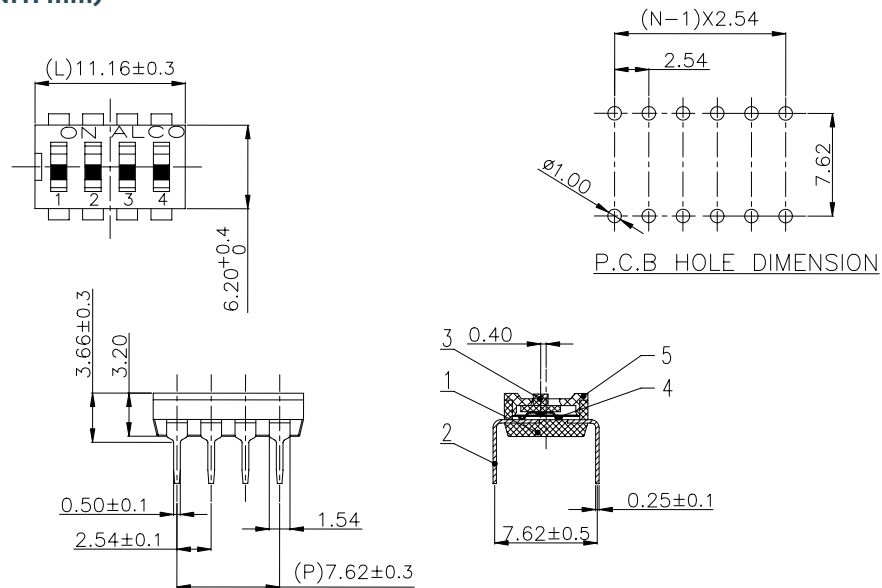
ADE & ADF SERIES

## ADE DIMENSION (UNIT: mm)



| TE Part Number | Poles | Dimension "L" (mm) | Dimension "P" (mm) |
|----------------|-------|--------------------|--------------------|
| 2454982-1      | 2     | 6.08               | 2.54               |
| 2454982-2      | 3     | 8.62               | 5.08               |
| 2454982-3      | 4     | 11.16              | 7.62               |
| 2454982-4      | 6     | 16.24              | 12.70              |
| 2454982-5      | 10    | 26.40              | 22.86              |
| 2454985-1      | 10    | 26.40              | 22.86              |
| 2454985-2      | 2     | 6.08               | 2.54               |
| 2454985-3      | 2     | 6.08               | 2.54               |

## ADF DIMENSION (UNIT: mm)

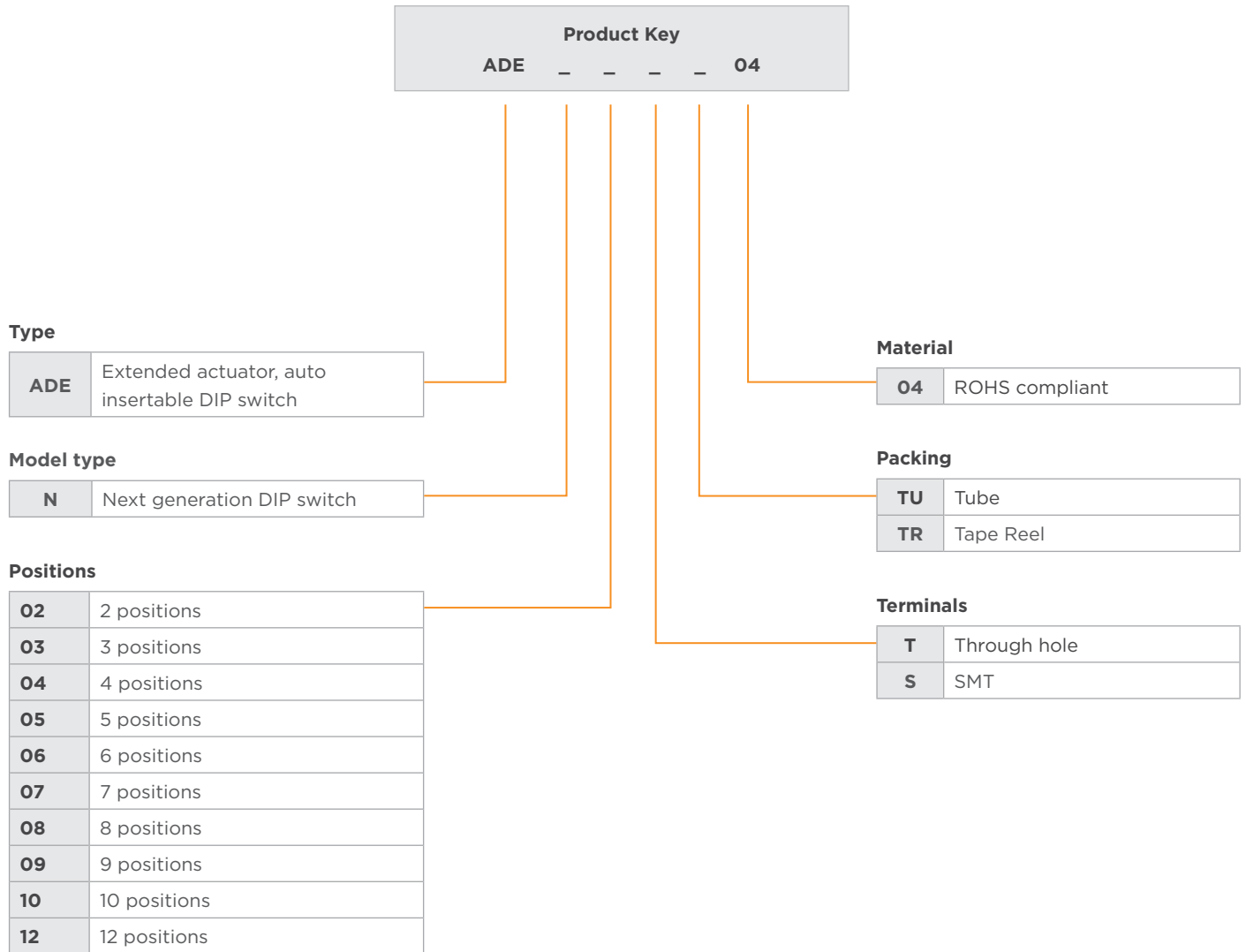


| TE Part Number | Poles | Dimension "L" (mm) | Dimension "P" (mm) |
|----------------|-------|--------------------|--------------------|
| 2461924-1      | 4     | 11.16              | 7.62               |

# ALCOSWITCH NEXT GENERATION DIP SWITCH

## ADE & ADF SERIES

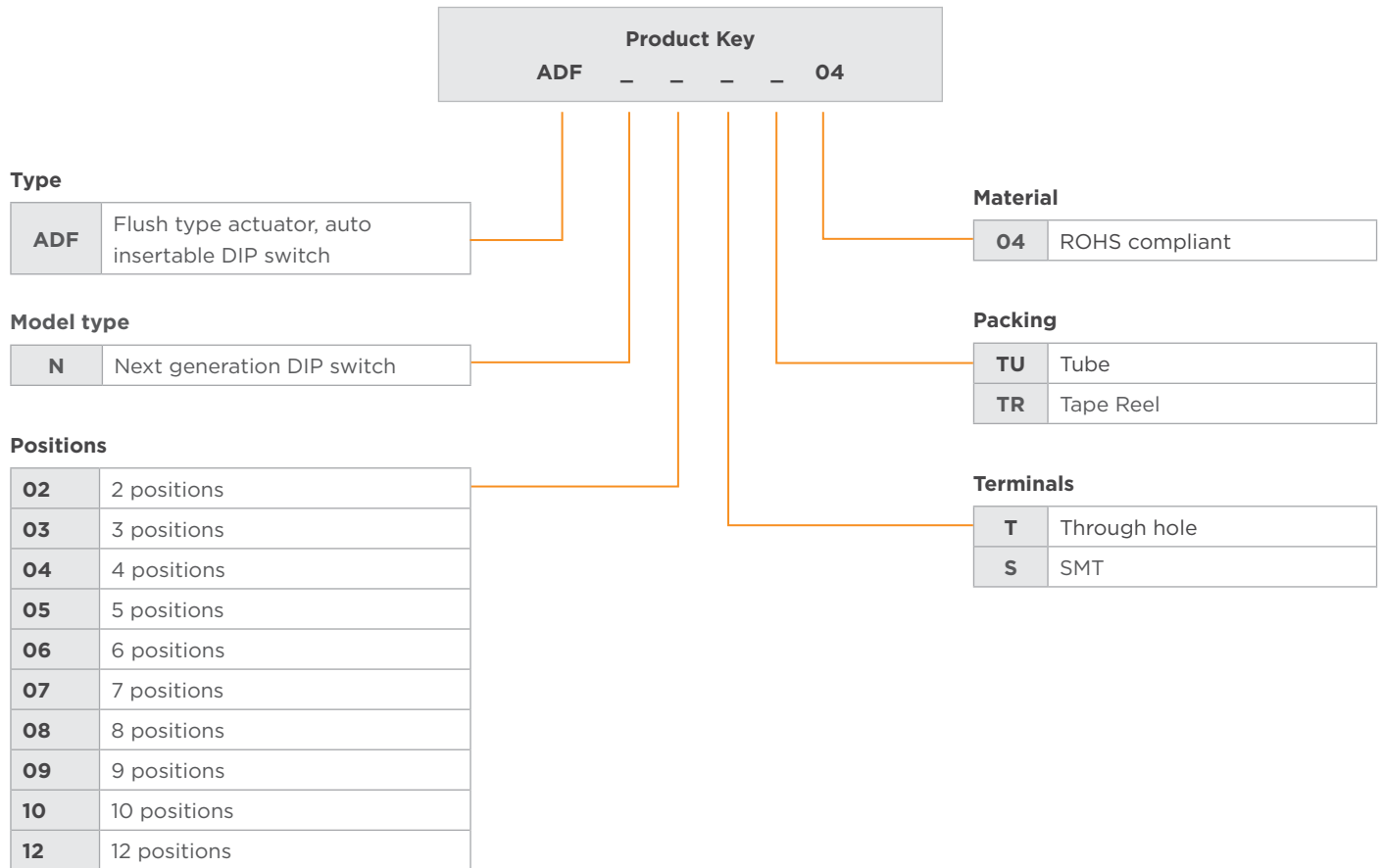
### PRODUCT CODE STRUCTURE



### PRODUCT SELECTION INFORMATION

| TE Part Number | Part Description | Positions | Mounting Style | Actuator Style | Packaging      |
|----------------|------------------|-----------|----------------|----------------|----------------|
| 2454982-1      | ADEN02TTU04      | 2         | Through hole   | Extended       | Tube           |
| 2454982-2      | ADEN03TTU04      | 3         |                |                |                |
| 2454982-3      | ADEN04TTU04      | 4         |                |                |                |
| 2454982-4      | ADEN06TTU04      | 6         |                |                |                |
| 2454982-5      | ADEN10TTU04      | 10        |                |                |                |
| 2454985-1      | ADEN10STU04      | 10        | Surface Mount  |                | TR - Tape/Reel |
| 2454985-2      | ADEN02STU04      | 2         |                |                |                |
| 2454985-3      | ADEN02STRO4      | 2         |                |                |                |

## PRODUCT CODE STRUCTURE



## PRODUCT SELECTION INFORMATION

| TE Part Number | Part Description | Positions | Mounting Style | Actuator Style | Packaging |
|----------------|------------------|-----------|----------------|----------------|-----------|
| 2461924-1      | ADFN04TTU04      | 4         | Through hole   | Flush          | Tube      |

### te.com

©2023 TE Connectivity Ltd. Family of Companies. All Rights Reserved.

ALCOSWITCH, TE Connectivity, TE connectivity (logo) and Every Connection Counts are trademarks. All other logos, products and/or company names referred to herein might be trademarks of their respective owners.

While TE has made every reasonable effort to ensure the accuracy of the information in this document, TE does not guarantee that it is error-free, nor does TE make any other representation, warranty or guarantee that the information is accurate, correct, reliable or current. TE reserves the right to make any changes to the information contained herein without prior notice. TE Connectivity assumes only those obligations set forth in the terms and conditions for this product and shall in no event be liable for any incidental, indirect, or consequential damages arising out of the sale, resale, use, or misapplication of the product. TE expressly disclaims any implied warranties with respect to the information contained herein, including, but not limited to, implied warranties of merchantability or fitness for a particular purpose. Dimensions, specifications and/or information contained herein are for reference purposes only and are subject to change without notice. Consult TE for the latest dimensions, specifications and/or information. Users of TE Connectivity products must make their own assessment as to whether the respective product is suitable for the respective desired application.

07/23 ED