



Part Number : [19092049](#)

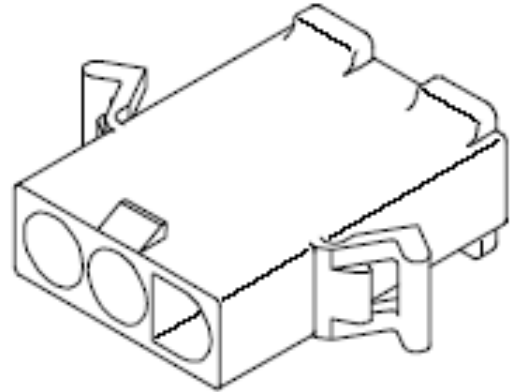
Product Description : 2.36mm Diameter Standard .093" Pin and Socket Plug Housing with Positive Latch, UL 94V-2, without Panel Mount 4 Circuits

Series Number : 3191

Status : Active

Product Category : Connector Housings

Engineering Number : 3191-4P1



Documents & Resources

Drawings

[Drawing 019092049_sd.pdf](#)

[Packaging Design Drawing PK-3191-001-001.pdf](#)

3D Models and Design Files

[3D Model 019092049_stp.zip](#)

Specifications

[Packaging Specification 31910002-PK-000.pdf](#)

[Product Specification PS-3191-001-001.pdf](#)

Product Environment Compliance

Compliance

GADSL/IMDS	Not Relevant
China RoHS	
EU ELV	Not Relevant
Low-Halogen Status	Low-Halogen per IEC 61249-2-21
REACH SVHC	Not Contained per D(2023)3788-DC (14 Jun 2023)
EU RoHS	Compliant per EU 2015/863

[Multiple Part Product Compliance Statements](#)

- Eu RoHS
- REACH SVHC
- Low-Halogen

Multiple Part Industry Compliance Documents

- IPC 1752A Class C
- IPC 1752A Class D
- Molex Product Compliance Declaration
- IEC-62474
- chemSHERPA (xml)

EU RoHS Certificate of Compliance

Part Details

General

Status	Active
Category	Connector Housings
Series	3191
Description	2.36mm Diameter Standard .093" Pin and Socket Plug Housing with Positive Latch, UL 94V-2, without Panel Mount 4 Circuits
Application	Power, Wire-to-Wire
Comments	Polarized to Mating Part, without Mounting Ears
Product Family	Standard .093" Pin and Socket Connectors
Product Name	Standard .093"
UPC	800753594210

Agency

CSA	LR19980
UL	E29179

Electrical

Current - Maximum per Contact	9.0A
-------------------------------	------

Physical

Breakaway	No
Circuits Detail	2x2
Circuits (maximum)	4
Color - Resin	Natural
Flammability	94V-2

Gender	Plug
Glow-Wire Capable	No
Keying to Mating Part	None
Lock to Mating Part	Yes
Material - Resin	Nylon
Net Weight	3.694/g
Number of Rows	1
Packaging Type	Bag
Panel Mount	No
Pitch - Mating Interface	6.70mm
Polarized to Mating Part	Yes
Stackable	No
Temperature Range - Operating	-40° to +105°C

Mates With / Use With

Mates with Part(s)

Description	Part Number
2.36mm Diameter Standard .093" Pin and Socket Receptacle Housing with Positive Latch, UL 94V-0, 4 Circuits	<u>0019091046</u>
2.36mm Diameter Standard .093" Pin and Socket Receptacle Housing with Positive Latch, UL 94V-2, 4 Circuits	<u>0019091049</u>
Standard .093" Pin and Socket Vertical Headers	<u>5219</u>

Use with Part(s)

Description	Part Number
Standard .093" Pin and Socket Female Crimp Terminals	<u>1189</u>
Standard .093" Pin and Socket Female Crimp Terminals	<u>1381</u>
Standard .093" Pin and Socket Female Crimp Terminal	<u>4550</u>
Standard .093" Pin and Socket Male Crimp Terminals	<u>1190</u>

Standard .093" Pin and Socket Male Crimp Terminals	<u>1380</u>
Standard .093" Pin and Socket Male Crimp Terminal	<u>1434</u>
Standard .093" Pin and Socket Male Crimp Grounding Terminals	<u>1973</u>
2.36mm Diameter, Standard .093" Pin and Socket Male Crimp Terminals	<u>42138</u>

This document was generated on Dec 09, 2023