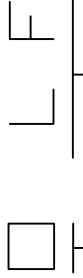




PRODUCT NUMBER

20020006-XXXXXXLF

20020006- -



PITCH

G: 5.00 mm
H: 5.08 mm

POLES

- 02: 2 POLES
- 03: 3 POLES
- 04: 4 POLES
- 24: 24 POLES

LF : DENOTED RoHS COMPATIBLE

PROPERTY TABLE

FCI SERIES NAME	01-500	01-508
PITCH (mm)	5.00	5.08
VOLTAGE RATING (VAC)	300	300
CURRENT RATING (A)	12	12
APPLICABLE WIRE RANGE (AWG)	1-24	12~24
	2-18	18
WIRE CROSS SECTION (mm ²)	SOLID	2.5
	2-WIRE	1.0
STRANDED	1-WIRE	2.5
	2-WIRE	1.5
OPENING CONTACT HOUSING(mm ²)	2.6x3.2	2.6x3.2
WIRE STRIP LENGTH(mm)	7~8	7~8
TORQUE +/-10% (N-m/Lb-in)	0.57/5.0	0.57/5.0
SCREW	M3x0.5	M3x0.5
WITHSTANDING VOLTAGE (kV)	1.6	1.6
OPERATING TEMP. (°C)	-40~+115	-40~+115
POLES AVAILABLE	02~24	02~24
SAFETY CERTIFICATE		

SCREW CODE

CODE	SCREW TYPE	AVAILABILITY
A	-/+	ON REQUEST ONLY
B	-	STANDARD

HOUSING CODE

CODE	COLOR	AVAILABILITY
1	GREEN(RAL 6018/T)	STANDARD
2	BLACK	ON REQUEST ONLY
3	GREY(RAL 7004/P)	ON REQUEST ONLY
4	BLUE(RAL 5015/A)	ON REQUEST ONLY

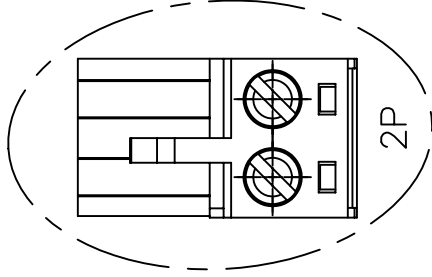
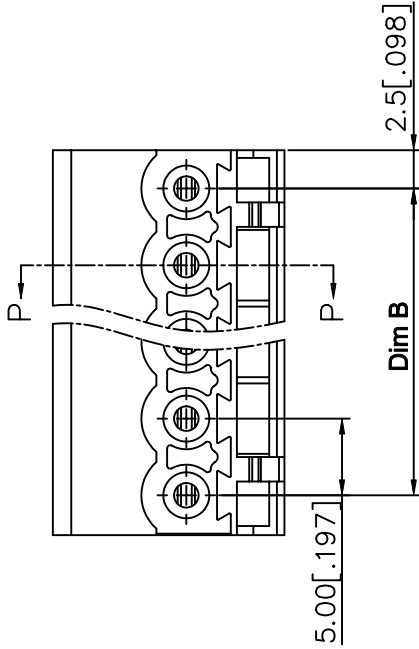
NOTES:

MATERIALS

- 1-1 HOUSING: THERMALPLASTIC RESIN, UL 94V-0 RATED.
- 1-2 SCREW: STEEL, ZINC PLATED.
- 1-3 CLAMP: COPPER ALLOY, NICKEL PLATED.
- 1-4 TERMINAL: COPPER ALLOY, TIN PLATED.
- 2. PRODUCTION SPECIFICATION REFER TO FCI GS-12-625.
- 3. BOXED PACKAGING.
- DETAILED PRODUCT PACKING SPECIFICATION REFER TO FCI GS-14-1394.
- 4. FCI, SAFETY CERTIFICATE LOGO AND SERIES NAME TO BE SHOWN ON PRODUCT SURFACE.
- 5. THE PRODUCTS WHERE THE PART NUMBER END IN "LF" MEET THE EUROPEAN UNION DIRECTIVE AND OTHER COUNTRY REGULATIONS AS DESCRIBED IN GS-22-008.

mat'l. code		surface	tolerance	projection	product family	TERMINAL BLOCK
		ASME Y14.5	ASME Y14.5		title	
		tolerances unless otherwise specified				
ltr	ecn no	dr	date	mm		
D	T10-0042	WL	030310	X.±0.5[.020]		
E	T10-0127	WL	060910	X.X±0.3[.012]		TERMINAL BLOCK
F	T10-0159	WL	100410	X.XX±0.1[.004]		PLUGGABLE PLUG, CONTACT UP SIDE
G	T10-0187	WL	121410	dr	BEER FU	sheet 1 of 3 size
H	T-004746	WL	072011	enfr	BEER FU	20020006
				chr	GARY HSIEH	A4
				appd	JOSEPH HSIA	CUSTOMER Drawing
sheet	revision	H	H			
index	sheet	1	2	3		

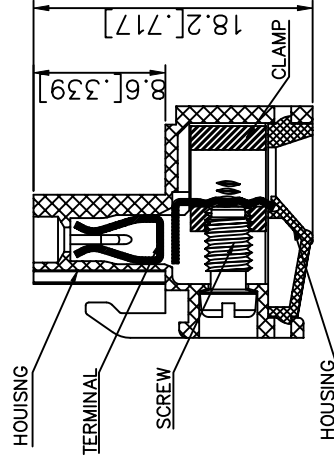
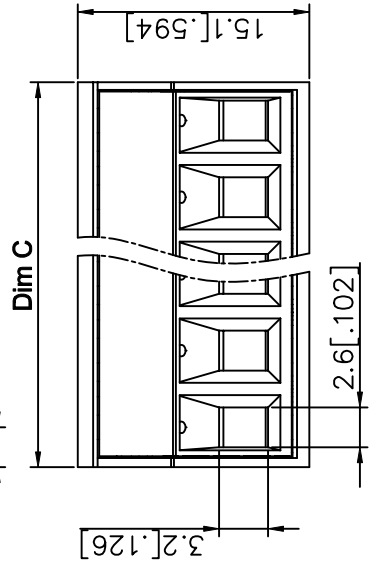
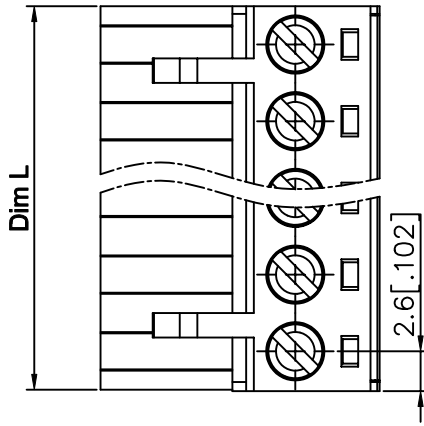
PRODUCT NUMBER	SERIES NAME	PITCH
20020006-GXXXXXXLF	01-500	5.00 mm



N= NUMBER OF POLES
DIMENSION

Dim L	$N \times 5.0 [.197]$
Bim B	$(N-1) \times 5.0 [.197]$
Dim C	$N \times 5.0 [.197] + 0.10 [.004]$

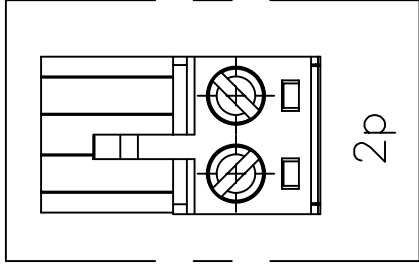
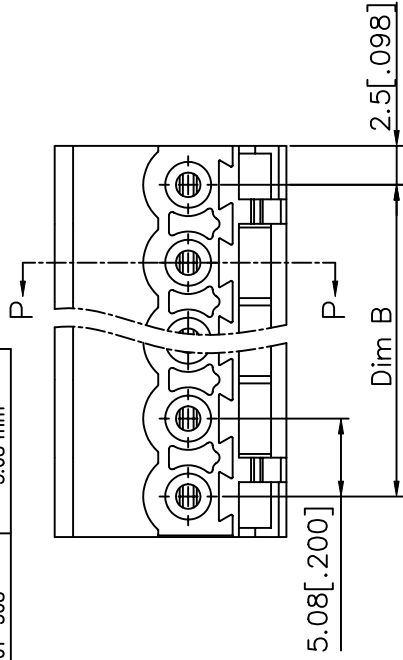
Poles	Tolerance
2P-5P	$\pm 0.15 [.006]$
6P-10P	$\pm 0.20 [.008]$
11P-15P	$\pm 0.25 [.010]$
16P-20P	$\pm 0.30 [.012]$
21P-24P	$\pm 0.40 [.016]$



SECTION P-P

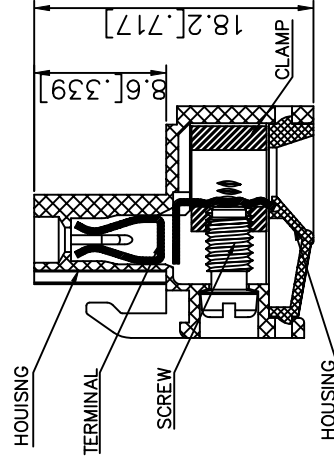
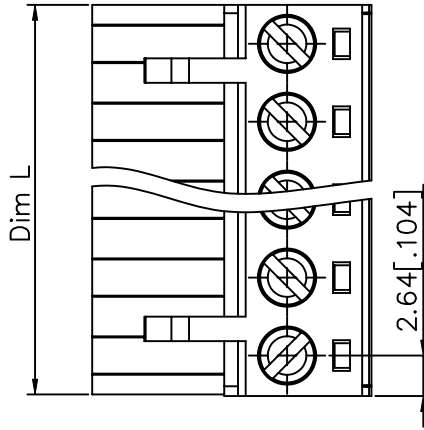
mat'l. code		surface	tolerance	projection	product family	TERMINAL BLOCK
itr	ecn no	ASME Y14.5	ASME Y14.5	ϕ	title	TERMINAL BLOCK
H	dr	tolerances unless otherwise specified	X: $\pm 0.5 [.020]$	MM	PLUGGABLE PLUG, CONTACT UP SIDE	sheet 2 of 3 size
		angles	X.X: $\pm 0.3 [.012]$	[INCH]	dwg no	20020006
		X $\pm 1^\circ$	X.XX: $\pm 0.1 [.004]$	scale	type	A4
	dr	BEER FU	062509	FCI	CUSTOMER Drawing	
	engr	BEER FU	062509			
	chr	GARY HSIEH	062509			
	appd	JOSEPH HSIA	062509			
sheet	revision					
index	sheet					

PRODUCT NUMBER	SERIES NAME	PITCH
20020006-HXXXXXXLF	01-508	5.08 mm

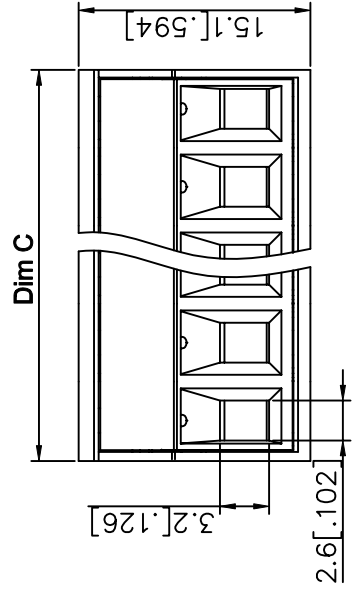


N= NUMBER OF POLES
DIMENSION

Dim L	Nx5.08 [.200]
Dim B	(N-1)x5.08 [.200]
Dim C	Nx5.08 [.200]+0.10 [.004]



SECTION P-P



Poles	Tolerance
2P-5P	±0.15 [.006]
6P-10P	±0.20 [.008]
11P-15P	±0.25 [.010]
16P-20P	±0.30 [.012]
21P-24P	±0.40 [.016]

mat'l. code		surface	tolerance	projection	product family	TERMINAL BLOCK
ltr	ecn no	ASME Y14.5	ASME Y14.5	⊕	title	
H	dr	tolerances unless otherwise specified	X:±0.5 [.020]	MM	TERMINAL BLOCK	
	engr	angles	X:X±0.3 [.012]	[INCH]	PLUGGABLE PLUG, CONTACT UP SIDE	
	chr	X'±1°	X:XX±0.1 [.004]	scale	dwg no	sheet 3 of 3 size
	appd	dr	BEER FU 062509		20020006	A4
		engr	BEER FU 062509			
		chr	GARY HSIEH 062509			
		appd	JOSEPH HSIA 062509			
sheet	revision				type	CUSTOMER Drawing
index	sheet					