

1393215-6 ✓ ACTIVE

SCHRACK | SCHRACK Power PCB Relay Card E

TE Internal #: 1393215-6

Power Relays, Standard, Monostable, DC, 436 mW Coil Power

Rating DC, 330 Ω Coil Resistance, 12 VDC Coil Voltage, SCHRACK

Power PCB Relay Card E

[View on TE.com >](#)



Relays, Contactors & Switches > Relays > Power Relays



Power Relay Type: **Standard**

Coil Magnetic System: **Monostable, DC**

Coil Power Rating DC: **436 mW**

Coil Resistance: **330 Ω**

Coil Voltage Rating: **12 VDC**

Features

Product Type Features

Power Relay Type	Standard
------------------	----------

Electrical Characteristics

Coil Power Rating Class	400 – 500 mW
Coil Magnetic System	Monostable, DC
Coil Power Rating DC	436 mW
Coil Resistance	330 Ω
Coil Voltage Rating	12 VDC
Contact Switching Voltage (Max)	400 VAC
Contact Voltage Rating	250 VAC

Body Features

Product Weight	14 g [.494 oz]
----------------	----------------

Contact Features

Contact Arrangement	1 Form C (CO)
Contact Current Class	5 – 10 A



Contact Current Rating (Max)	8 A
Contact Material	AgNi
Contact Number of Poles	1
Relay Terminal Type	PCB-THT

Mechanical Attachment

Relay Mounting Type	Printed Circuit Board
---------------------	-----------------------

Dimensions

Length Class (Mechanical)	25 – 30 mm
Height Class (Mechanical)	10 – 11 mm
Width Class (Mechanical)	20 – 25 mm, 25 – 30 mm
Product Width	25 mm[.985 in]
Product Length	28 mm[1.103 in]
Product Height	10.8 mm[.426 in]

Usage Conditions

Environmental Ambient Temperature (Max)	70 °C[158 °F]
Operating Temperature Range	-40 – 70 °C[-40 – 158 °F]

Packaging Features

Packaging Method	Carton & Tube
------------------	---------------

Product Compliance

[For compliance documentation, visit the product page on TE.com>](#)

EU RoHS Directive 2011/65/EU	Compliant
EU ELV Directive 2000/53/EC	Compliant
China RoHS 2 Directive MIIT Order No 32, 2016	No Restricted Materials Above Threshold
EU REACH Regulation (EC) No. 1907/2006	Current ECHA Candidate List: JUNE 2023 (235) Candidate List Declared Against: JAN 2021 (211) Does not contain REACH SVHC
Halogen Content	Not Low Halogen - contains Br or Cl > 900 ppm.
Solder Process Capability	Wave solder capable to 260°C

Product Compliance Disclaimer

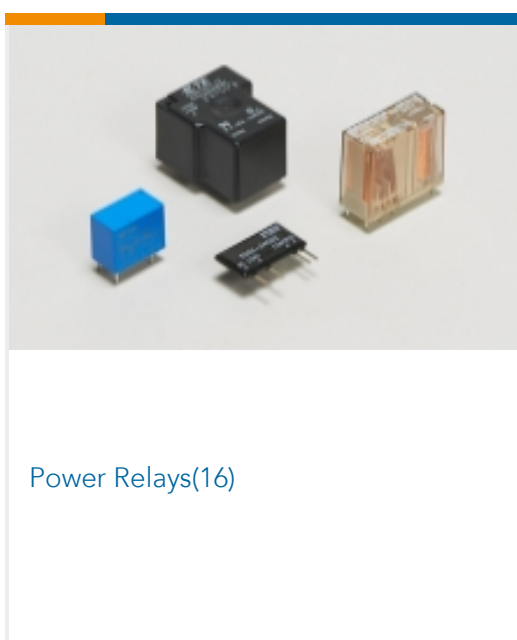


This information is provided based on reasonable inquiry of our suppliers and represents our current actual knowledge based on the information they provided. This information is subject to change. The part numbers that TE has identified as EU RoHS compliant have a maximum concentration of 0.1% by weight in homogenous materials for lead, hexavalent chromium, mercury, PBB, PBDE, DBP, BBP, DEHP, DIBP, and 0.01% for cadmium, or qualify for an exemption to these limits as defined in the Annexes of Directive 2011/65/EU (RoHS2). Finished electrical and electronic equipment products will be CE marked as required by Directive 2011/65/EU. Components may not be CE marked. Additionally, the part numbers that TE has identified as EU ELV compliant have a maximum concentration of 0.1% by weight in homogenous materials for lead, hexavalent chromium, and mercury, and 0.01% for cadmium, or qualify for an exemption to these limits as defined in the Annexes of Directive 2000/53/EC (ELV). Regarding the REACH Regulation, the information TE provides on SVHC in articles for this part number is based on the latest European Chemicals Agency (ECHA) 'Guidance on requirements for substances in articles' posted at this URL: <https://echa.europa.eu/guidance-documents/guidance-on-reach>

Compatible Parts



Also in the Series | SCHRACK Power PCB Relay Card E

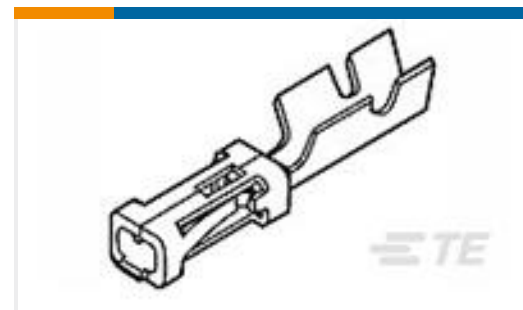


Customers Also Bought





TE Part #5677864004
RNF-3000-9/3-9-SP



TE Part #141603-4
MOD-4 REC.CONTACT



TE Part #925367-8
MOD 4 REC.HSG 2X08P



TE Part #20014203-07
PRESS XDCR M323M-000004-017BG

Documents

CAD Files

3D PDF

3D

Customer View Model

[ENG_CVM_CVM_1393215-6_A.2d_dxf.zip](#)

English

Customer View Model

[ENG_CVM_CVM_1393215-6_A.3d_igs.zip](#)

English

Customer View Model

[ENG_CVM_CVM_1393215-6_A.3d_stp.zip](#)

English

By downloading the CAD file I accept and agree to the [Terms and Conditions](#) of use.

Datasheets & Catalog Pages

Power PCB Relay Card E

English

Product Specifications

Definitions General Purpose Relays

English

Agency Approvals

VDE Certificate

English