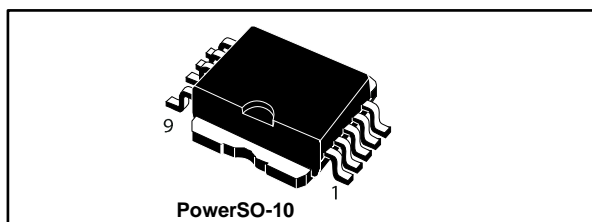


## Quad high-side smart power solid-state relay

Datasheet - production data



- Open drain diagnostic output
- Fast demagnetization of inductive loads
- Conforms to IEC 61131-2

### Description

The VN340SP-33-E is a monolithic device developed using STMicroelectronics' VIPower technology, intended to drive four independent resistive or inductive loads with one side connected to ground. Active current limitation prevents dropping of the system power supply in case of shorted load. Built-in thermal shutdown protects the chip from overtemperature and short-circuit. The open drain diagnostic output indicates overtemperature conditions. Each I/O is pulled down when the overtemperature condition of the relative channel is verified.

### Features

Type	$V_{\text{demag}}^{(1)}$	$R_{\text{DS(on)}}^{(1)}$	$I_{\text{OUT}}^{(1)}$	$V_{\text{CC}}$
VN340SP-33-E	$V_{\text{CC}}-55 \text{ V}$	$0.2 \Omega$	1 A	36 V

#### Notes:

<sup>(1)</sup>Per channel

- Output current: 1 A per channel
- Digital I/O clamped at 32 V minimum voltage
- Shorted load and overtemperature protections
- Protection against loss of ground
- Built-in current limiter
- Undervoltage shutdown

**Table 1: Device summary**

Order code	Package	Packing
VN340SP-33-E	PowerSO-10	Tube
VN340SPTR-33-E		Tape and reel

---

## Contents

<b>1</b>	<b>Block diagram.....</b>	<b>5</b>
<b>2</b>	<b>Pin connection.....</b>	<b>6</b>
<b>3</b>	<b>Maximum ratings .....</b>	<b>7</b>
<b>4</b>	<b>Electrical characteristics .....</b>	<b>8</b>
<b>5</b>	<b>Test circuits .....</b>	<b>10</b>
<b>6</b>	<b>Switching time waveforms and truth table .....</b>	<b>12</b>
<b>7</b>	<b>Package information .....</b>	<b>14</b>
	7.1 PowerSO-10 package information .....	14
	7.2 PowerSO-10 packing information.....	16
<b>8</b>	<b>Revision history .....</b>	<b>18</b>

---

## List of tables

Table 1: Device summary .....	1
Table 2: Absolute maximum ratings .....	7
Table 3: Thermal data.....	7
Table 4: Power section .....	8
Table 5: Switching ( $V_{CC} = 24\text{ V}$ , $T_J = 25\text{ °C}$ ) .....	8
Table 6: Logic inputs.....	9
Table 7: Protection and diagnostic .....	9
Table 8: Truth table.....	13
Table 9: PowerSO-10 package mechanical data .....	15
Table 10: PowerSO-10 carrier tape dimension mechanical data .....	16
Table 11: PowerSO-10 reel dimension mechanical data .....	17
Table 12: PowerSO-10 base and bulk quantity .....	17
Table 13: Document revision history .....	18

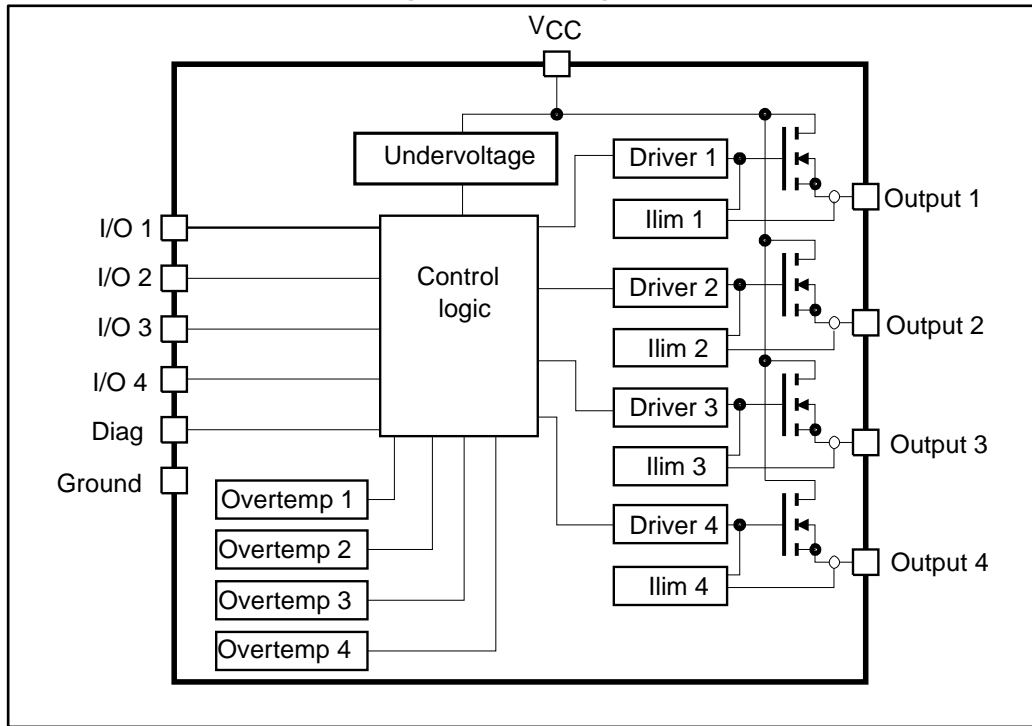
---

## List of figures

Figure 1: Block diagram .....	5
Figure 2: Connection diagram (top view) .....	6
Figure 3: Current and voltage conventions .....	6
Figure 4: Avalanche energy test circuit .....	10
Figure 5: Peak short-circuit test diagram .....	10
Figure 6: $I_{LGND}$ test configuration .....	11
Figure 7: Switching waveforms .....	12
Figure 8: Switching parameter test conditions .....	12
Figure 9: Driving circuit .....	13
Figure 10: PowerSO-10 package outline .....	14
Figure 11: PowerSO-10 carrier tape outline .....	16
Figure 12: PowerSO-10 reel outline .....	17

# 1 Block diagram

Figure 1: Block diagram



## 2 Pin connection

Figure 2: Connection diagram (top view)

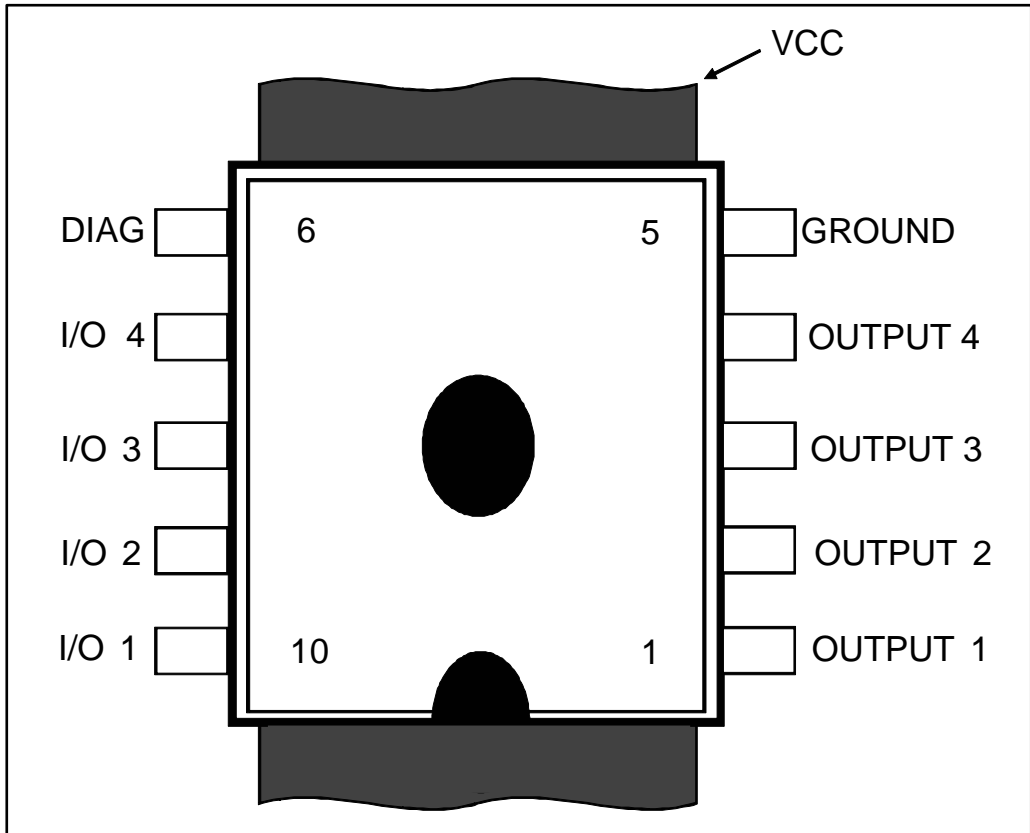
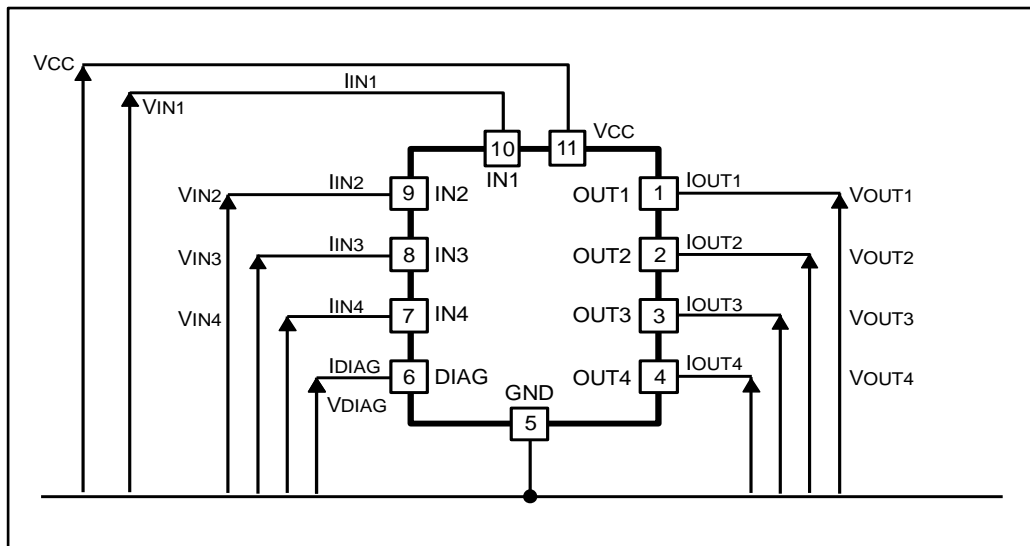


Figure 3: Current and voltage conventions



### 3 Maximum ratings

Table 2: Absolute maximum ratings

Symbol	Parameter	Value	Unit
$V_{CC}$	Power supply voltage	45	V
$-V_{CC}$	Reverse supply voltage	-4	V
$I_{OUT}$	Output current	Internally limited	A
$I_R$	Reverse output current (per channel)	-6	A
$I_{IN}$	Input current range	-1 to +10	mA
$I_{DIAG}$	Diag pin current	-1 to +10	mA
$V_{ESD}$	Electrostatic discharge (R = 1.5 k $\Omega$ ; C = 100 pF)	2000	V
$E_{AS}$	Single pulse avalanche energy one channel active $T_J = 125^\circ$ , $I_{LOAD} = 0.625$ A	10	J
	Single pulse avalanche energy all channel active simultaneously $T_J = 125^\circ$ , $I_{LOAD} = 0.625$ A	2	J
$P_{TOT}$	Power dissipation at $T_C = 25^\circ\text{C}$	Internally limited	W
$T_J$	Junction operating temperature	Internally limited	$^\circ\text{C}$
$T_{STG}$	Storage temperature	-55 to 150	$^\circ\text{C}$

Table 3: Thermal data

Symbol	Parameter	Value	Unit
$R_{th(JC)}$	Thermal resistance junction-case <sup>(1)</sup>	Max. 3	$^\circ\text{C/W}$
$R_{th(JA)}$	Thermal resistance junction-ambient <sup>(2)</sup>	Max. 50	$^\circ\text{C/W}$

**Notes:**

<sup>(1)</sup>Per channel.

<sup>(2)</sup>When mounted on a four-layer FR4, with the minimum recommended pad size.

## 4 Electrical characteristics

10 V < V<sub>CC</sub> < 36 V; -40 °C < T<sub>J</sub> < 125 °C; unless otherwise specified

**Table 4: Power section**

Symbol	Parameter	Test conditions	Min.	Typ.	Max.	Unit
V <sub>CC</sub>	Supply voltage		10		36	V
R <sub>DS(on)</sub>	On-state resistance	I <sub>OUT</sub> = 0.5 A at T <sub>J</sub> = 25 °C			0.2	Ω
		I <sub>OUT</sub> = 0.5 A at T <sub>J</sub> = 85 °C			0.32	
		I <sub>OUT</sub> = 0.5 A at T <sub>J</sub> = 125 °C			0.4	
I <sub>S</sub>	Supply current	All channels in OFF-state, V <sub>IN</sub> = 30 V, I <sub>OUT</sub> = 0 V, T <sub>J</sub> = 125 °C			1	mA
					6	mA
V <sub>OL</sub>	Low state output voltage	V <sub>IN</sub> = V <sub>IL</sub> ; R <sub>LOAD</sub> > = 10 MΩ			1.5	μA
I <sub>LGND</sub>	Output current at turn-off	V <sub>CC</sub> = V <sub>IN</sub> = V <sub>GND</sub> = V <sub>STAT</sub> = 18 to 30 V T <sub>A</sub> = -25 °C to 85 °C			2	mA
V <sub>demag</sub>	Output current at turn-off	I <sub>OUT</sub> = 0.5 A; L <sub>LOAD</sub> > = 1 mH	V <sub>CC</sub> -65	V <sub>CC</sub> -55	V <sub>CC</sub> -45	V

**Table 5: Switching (V<sub>CC</sub> = 24 V, T<sub>J</sub> = 25 °C)**

Symbol	Parameter	Test conditions	Min.	Typ.	Max.	Unit
t <sub>d(ON)</sub>	Turn-on delay time	I <sub>OUT</sub> = 0.5 A, resistive load, input rise time < 0.1 μs		52	100	μs
t <sub>r</sub>	Rise time of output current	I <sub>OUT</sub> = 0.5 A, resistive load, input rise time < 0.1 μs		94	250	μs
t <sub>d(OFF)</sub>	Turn-off delay time of output current	I <sub>OUT</sub> = 0.5 A, resistive load, input rise time < 0.1 μs		34	50	μs
t <sub>f</sub>	Fall time	I <sub>OUT</sub> = 0.5 A, resistive load, input rise time < 0.1 μs		8	20	μs



Table 6: Logic inputs

Symbol	Parameter	Test conditions	Min.	Typ.	Max.	Unit
$V_{IL}$	I/O input low level voltage				2	V
$V_{IH}$	I/O input high level voltage		3.5			V
$V_{I(HYST)}$	I/O input hysteresis voltage			0.5		V
$I_{IN}$	I/O input current	$V_{IN} = 30\text{ V}$			25	$\mu\text{A}$
$V_{ICL}$	I/O input clamp voltage <sup>(1)</sup>	$I_{IN} = 1\text{ mA}$	32	36		V
		$I_{IN} = -1\text{ mA}$		-0.7		V

**Notes:**

<sup>(1)</sup>The input voltage is internally clamped at 32 V minimum, the input pins can be connected to a higher voltage by an external resistor, which cannot exceed 10 mA

Table 7: Protection and diagnostic

Symbol	Parameter	Test conditions	Min.	Typ.	Max.	Unit
$V_{DIAG}^{(1)}$	Status voltage output low	$I_{DIAG} = 5\text{ mA}$ (fault condition)			1	V
$V_{SCL}$	Status clamp voltage	$I_{DIAG} = 1\text{ mA}$	32	36 -0.7		
$V_{USD}$	Undervoltage shutdown		5		8	V
$I_{lim}$	DC short-circuit current	$V_{CC} = 24\text{ V}; R_{LOAD} < 10\text{ m}\Omega$	1		2	A
$I_{OVPK}$	Peak short-circuit current	$V_{CC} = 24\text{ V}; V_{IN} = 30\text{ V}; R_{LOAD} < 10\text{ m}\Omega$			4	V
$I_{DIAGH}$	Leakage on DIAG pin in high state	$V_{DIAG} = 24\text{ V}$			25	$\mu\text{A}$
$I_{LOAD}$	Output leakage current	$V_{CC} = 10\text{ to }36\text{ V}; V_{IN} = V_{IL}$			50	$\mu\text{A}$
$t_{SC}$	Delay time of current limiter				100	$\mu\text{s}$
$T_{TSD}$	Junction shutdown temperature		150	170		$^{\circ}\text{C}$
$T_R$	Junction reset temperature		135	155		$^{\circ}\text{C}$

**Notes:**

<sup>(1)</sup>Status determination > 100  $\mu\text{s}$  after the switching edge.



If the INPUT pin is left floating, the corresponding channel automatically switches off. If GND pin is disconnected, the channel switches off provided that  $V_{CC}$  does not exceed 36 V.

# 5 Test circuits

Figure 4: Avalanche energy test circuit

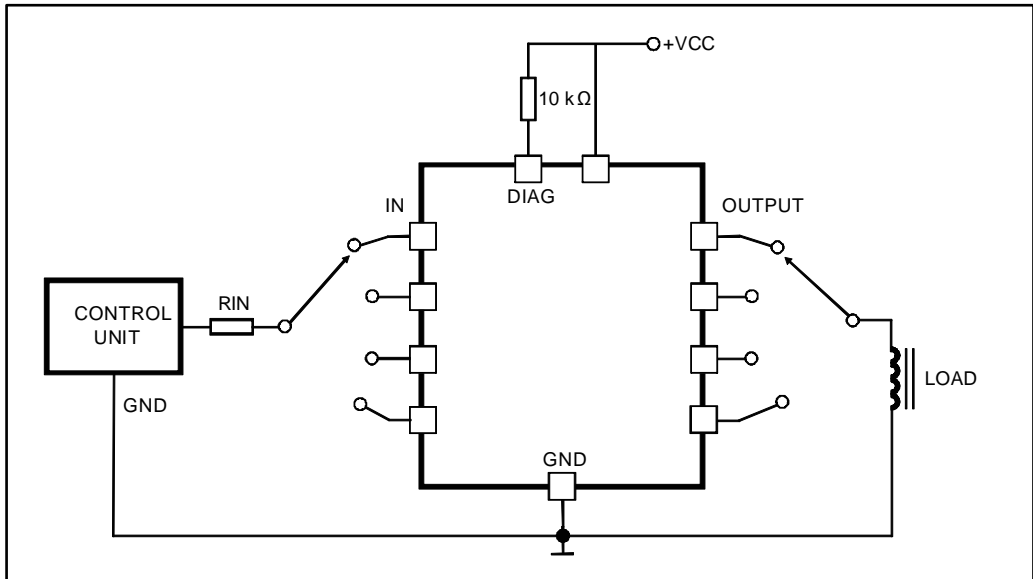


Figure 5: Peak short-circuit test diagram

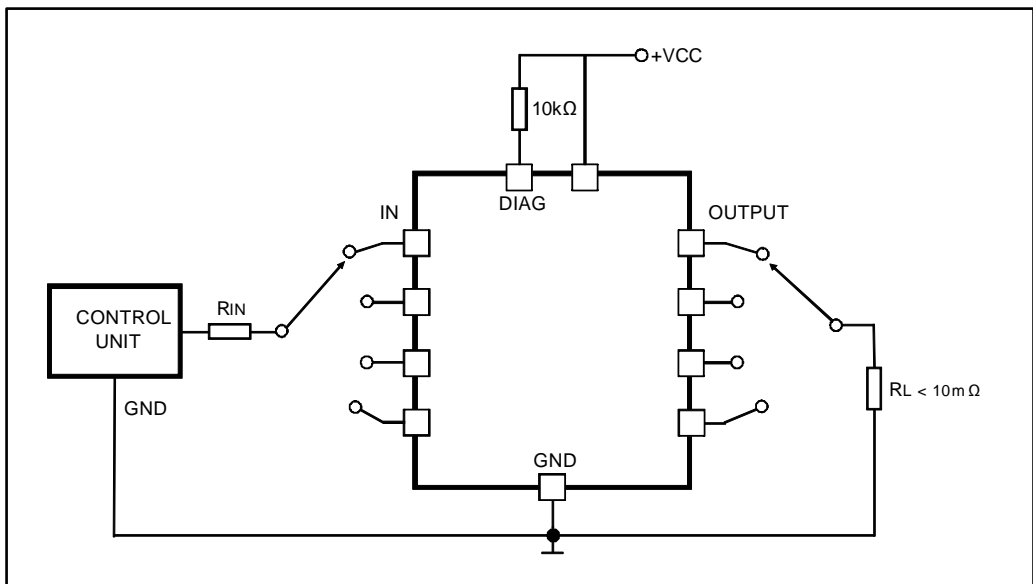
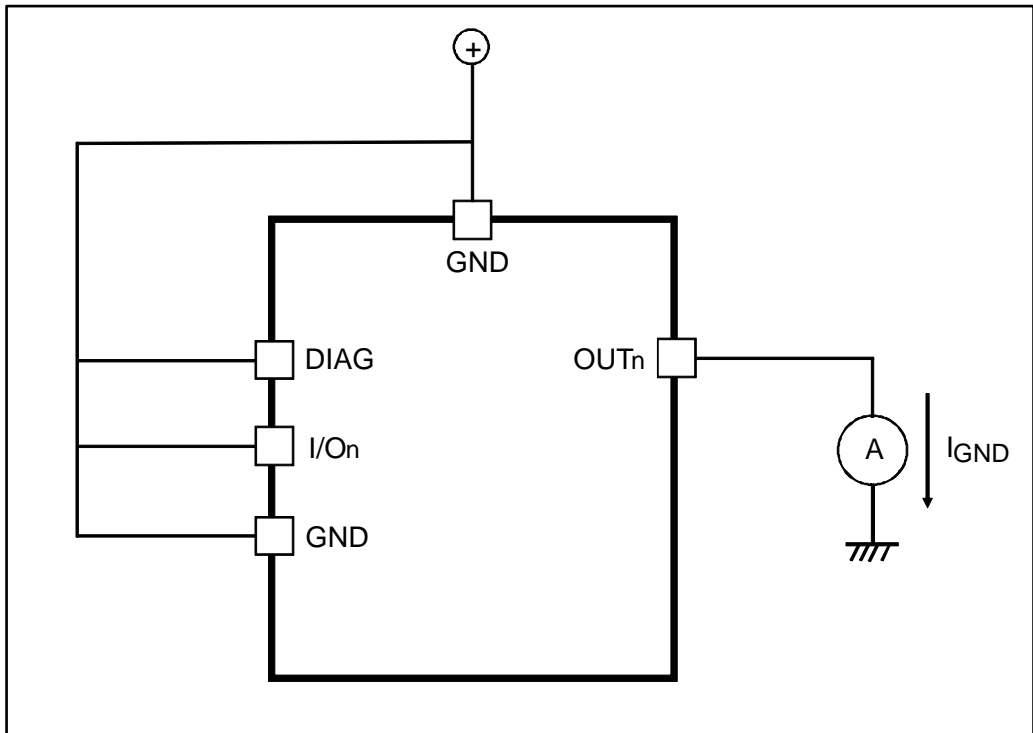


Figure 6:  $I_{LGND}$  test configuration



## 6 Switching time waveforms and truth table

Figure 7: Switching waveforms

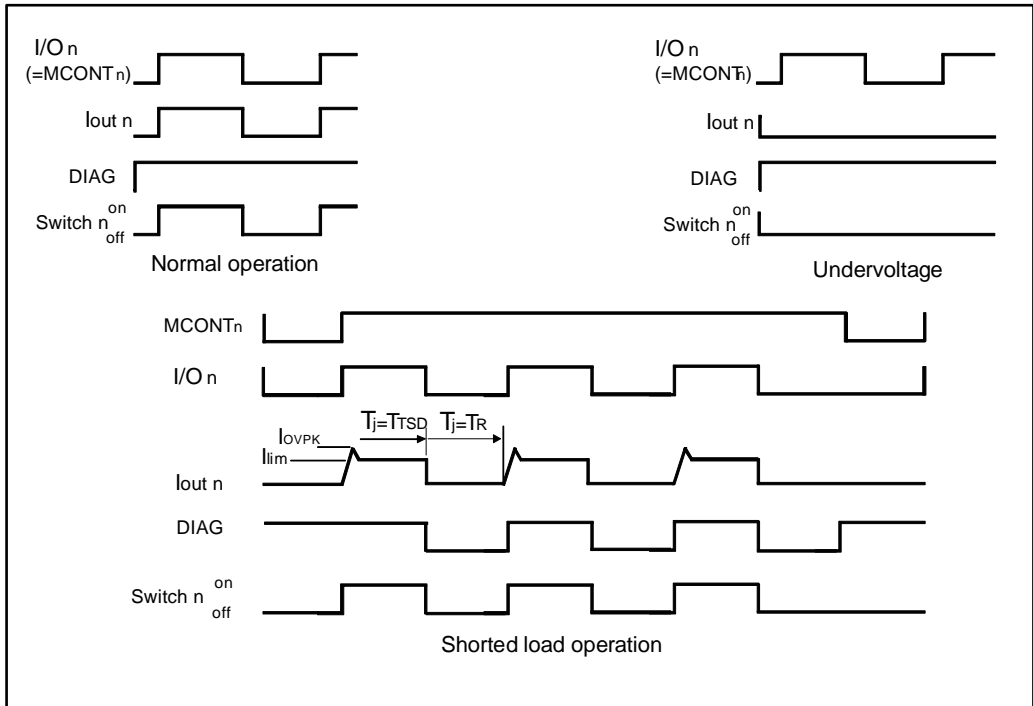


Figure 8: Switching parameter test conditions

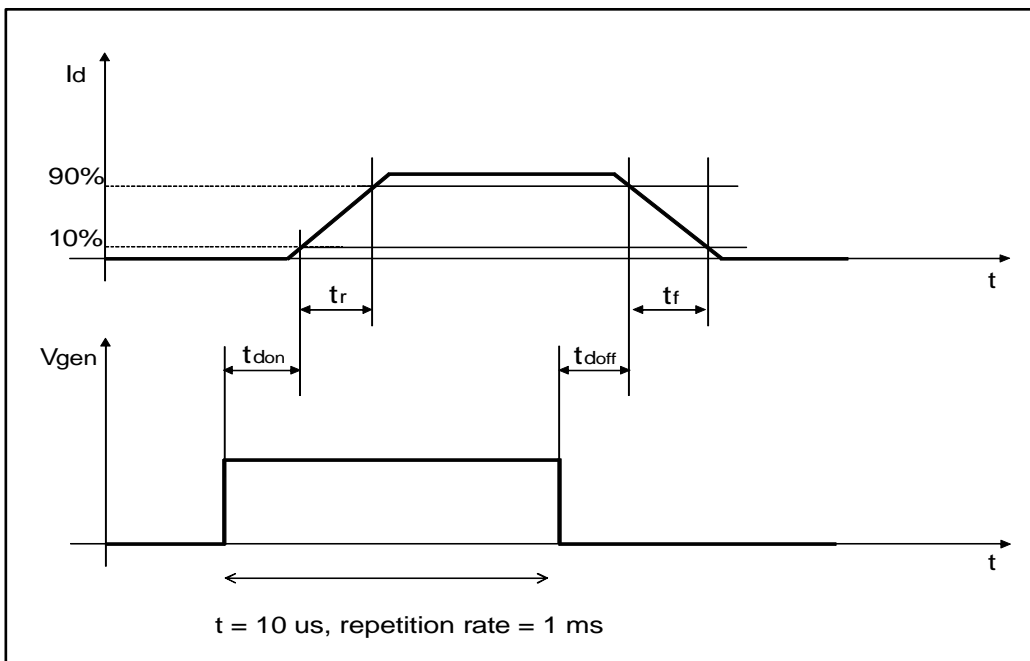
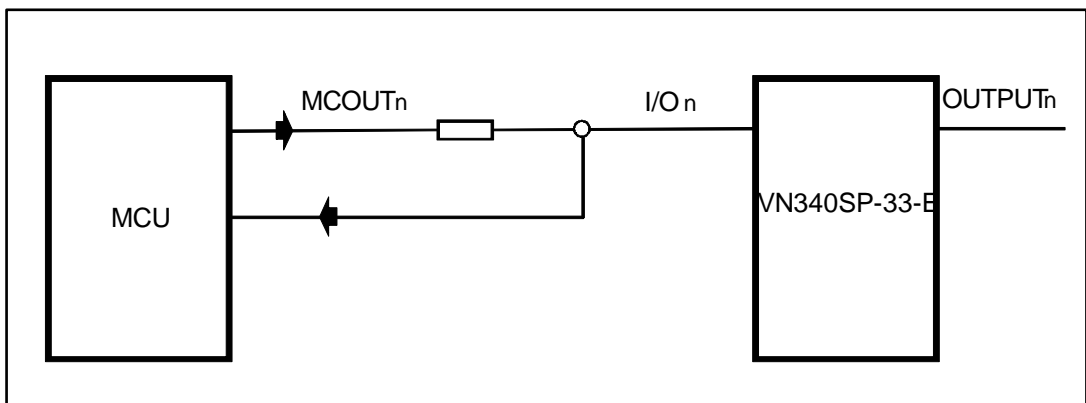


Table 8: Truth table

Conditions	MCOUTn	I/O n	OUTPUTn	Diagnostic
Normal operation	L	L	L	H
	H	H	H	H
Junction overtemperature	L	L	L	H
	H	L	L	L
Undervoltage	L	L	L	H
	H	H	L	H
Shorted load current limitation	L	L	L	H
	H	H	H	H

Figure 9: Driving circuit



## 7 Package information

In order to meet environmental requirements, ST offers these devices in different grades of ECOPACK® packages, depending on their level of environmental compliance. ECOPACK® specifications, grade definitions and product status are available at: [www.st.com](http://www.st.com). ECOPACK® is an ST trademark.

### 7.1 PowerSO-10 package information

Figure 10: PowerSO-10 package outline

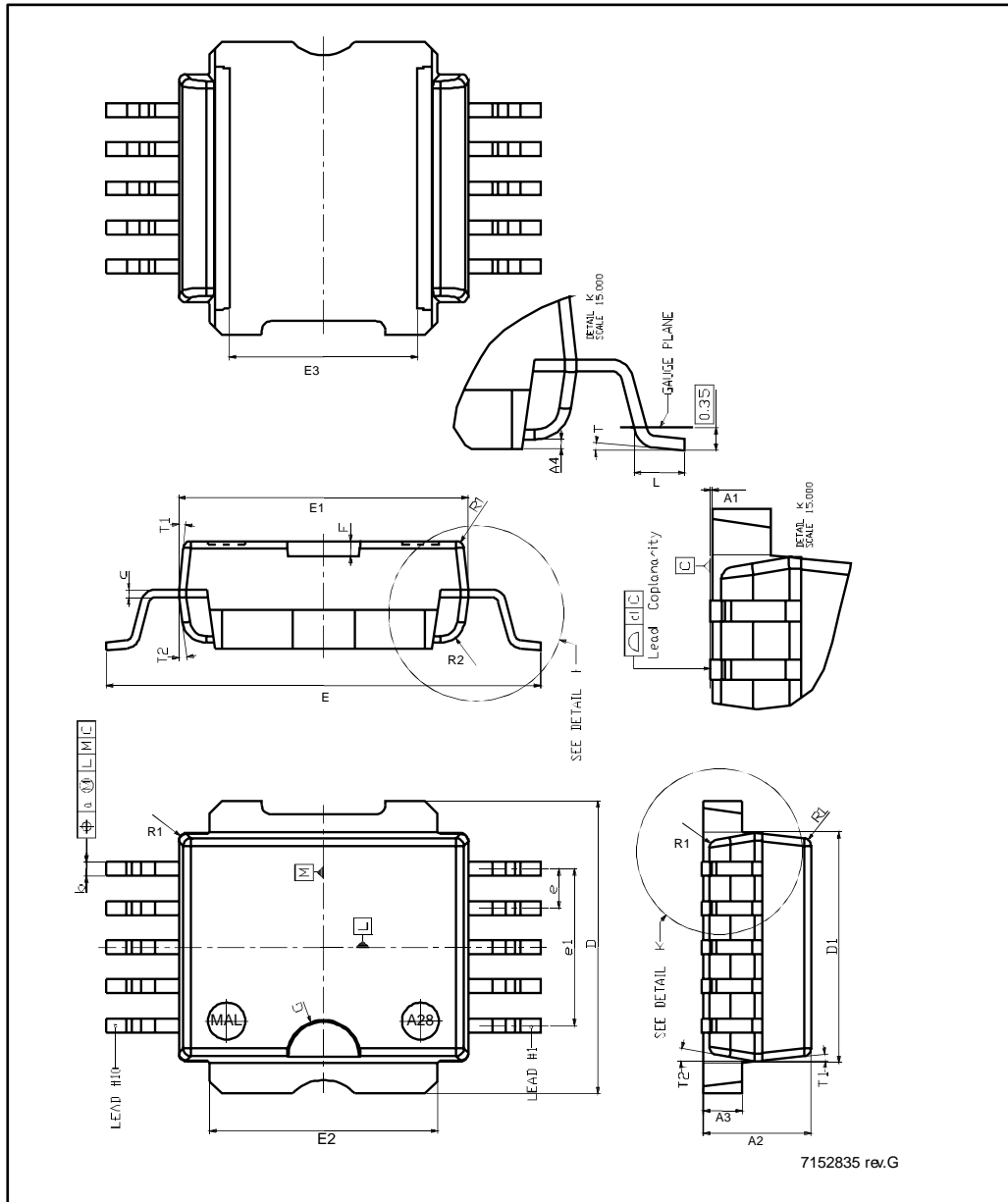


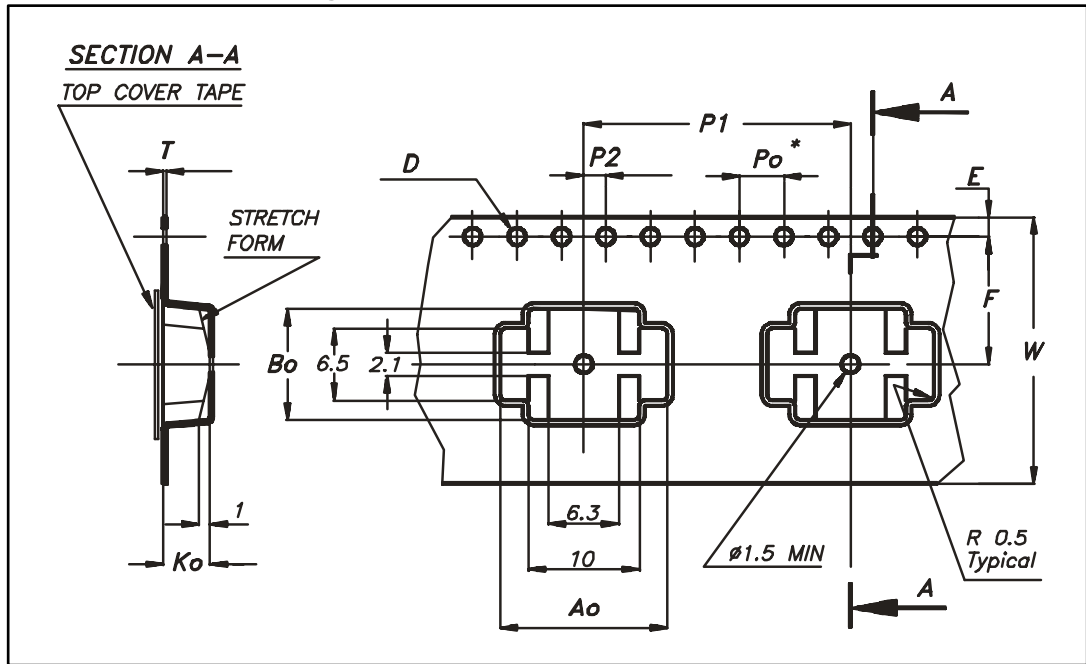
Table 9: PowerSO-10 package mechanical data

Dim.	mm		
	Min.	Typ.	Max.
A1	0.01	0.05	0.08
A2	3.45	3.5	3.55
A3	1.24	1.28	1.32
A4	0.15	0.2	0.25
a		0.2	
b	0.4	0.45	0.5
c	0.24	0.27	0.3
D	9.45	9.52	9.59
D1	7.42	7.5	7.58
d	0	0.04	0.09
E	13.9	14.1	14.3
E1 <sup>a</sup>	9.33	9.4	9.47
E2	7.4	7.42	7.5
E3	5.95	6.1	6.25
e	1.22	1.27	1.32
e1		5.08	
F		0.5	
G		1.2	
L	0.85	1	1.1
R1			0.25
R2		0.8	
T	3 deg	5 deg	7 deg
T1		6 deg	
T2		10deg	

<sup>a</sup> Resin protrusions are not included (max. value: 0.15 mm per side).

## 7.2 PowerSO-10 packing information

Figure 11: PowerSO-10 career tape outline



Drawing is not in scale

Table 10: PowerSO-10 career tape dimension mechanical data

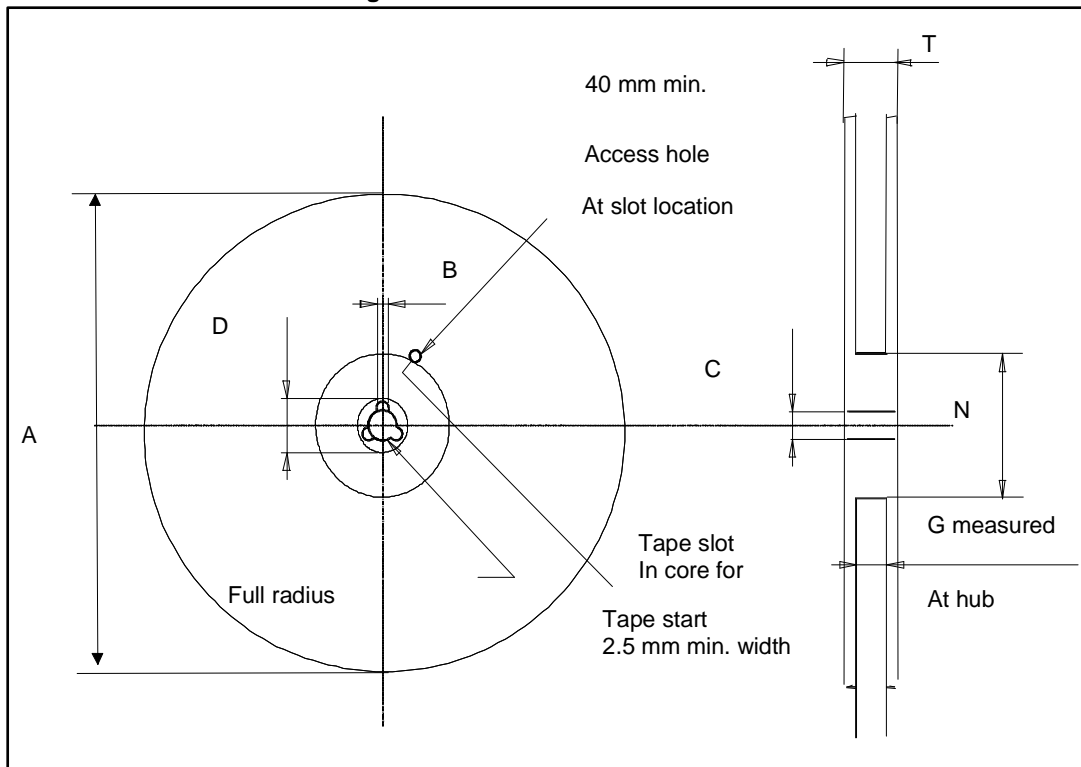
Dim.	mm		
	Min.	Typ.	Max.
A0	14.9	15.0	15.1
B0	9.9	10.0	10.1
K0	4.15	4.25	4.35
F	11.4	11.5	11.6
E	1.65	1.75	1.85
W	23.7	24.0	24.3
P2	1.9	2.0	2.1
P0	3.9	4.0	4.1
P1	23.9	24.0	24.1
T	0.025	0.30	0.35
D(Ø)	1.50	1.55	1.60



10 sprocket hole pitch cumulative tolerance  $\pm 0.2$  mm



Figure 12: PowerSO-10 reel outline



Drawing is not in scale

Table 11: PowerSO-10 reel dimension mechanical data

Dim.	mm		
	Min.	Typ.	Max.
A			330
B	1.5		
C	12.8	13	13.2
D	20.2		
N	60		
G	23.7	24.4	
T			30.4



10 sprocket hole pitch cumulative tolerance  $\pm 0.2$  mm

Table 12: PowerSO-10 base and bulk quantity

Base quantity	Bulk quantity
600	600

## 8 Revision history

Table 13: Document revision history

Date	Revision	Changes
05-Sep-2005	1	Initial release.
19-Mar-2007	2	Document reformatted, typo in note 1.
22-Aug-2008	3	Updated table 9.
07-Sep-2015	4	Updated the table of absolute maximum ratings.

**IMPORTANT NOTICE – PLEASE READ CAREFULLY**

STMicroelectronics NV and its subsidiaries ("ST") reserve the right to make changes, corrections, enhancements, modifications, and improvements to ST products and/or to this document at any time without notice. Purchasers should obtain the latest relevant information on ST products before placing orders. ST products are sold pursuant to ST's terms and conditions of sale in place at the time of order acknowledgement.

Purchasers are solely responsible for the choice, selection, and use of ST products and ST assumes no liability for application assistance or the design of Purchasers' products.

No license, express or implied, to any intellectual property right is granted by ST herein.

Resale of ST products with provisions different from the information set forth herein shall void any warranty granted by ST for such product.

ST and the ST logo are trademarks of ST. All other product or service names are the property of their respective owners.

Information in this document supersedes and replaces information previously supplied in any prior versions of this document.

© 2015 STMicroelectronics – All rights reserved

# Mouser Electronics

Authorized Distributor

Click to View Pricing, Inventory, Delivery & Lifecycle Information:

[STMicroelectronics:](#)

[VN340SPTR-33-E](#) [VN340SP-33-E](#)