

COMPLIANT TAIL SIZE	"C"	"D"	"E"
-1: .0177"	0.36 [0.014]	0.450 [0.0177]	0.75 [0.030]
-2: .0217"	0.45 [0.018]	0.550 [0.0217]	0.85 [0.033]

SIDE WALL OPTIONS	COLUMNS	"A"	"B"
-0: OPEN WALL	-04	7.06 [0.278]	0.55 [0.022]
	-06	10.66 [0.420]	0.55 [0.022]
	-08	14.26 [0.561]	0.55 [0.022]
-1: LEFT WALL	-04	8.20 [0.323]	1.69 [0.067]
	-06	11.80 [0.465]	1.69 [0.067]
	-08	15.40 [0.606]	1.69 [0.067]
-2: RIGHT WALL	-04	8.06 [0.317]	0.55 [0.022]
	-06	11.66 [0.459]	0.55 [0.022]
	-08	15.26 [0.601]	0.55 [0.022]

TIN (IMMERSION)	Cu	0.025-0.050 [ .0010-.0020]
	Sn	0.001-0.002 [ .00004-.00008]

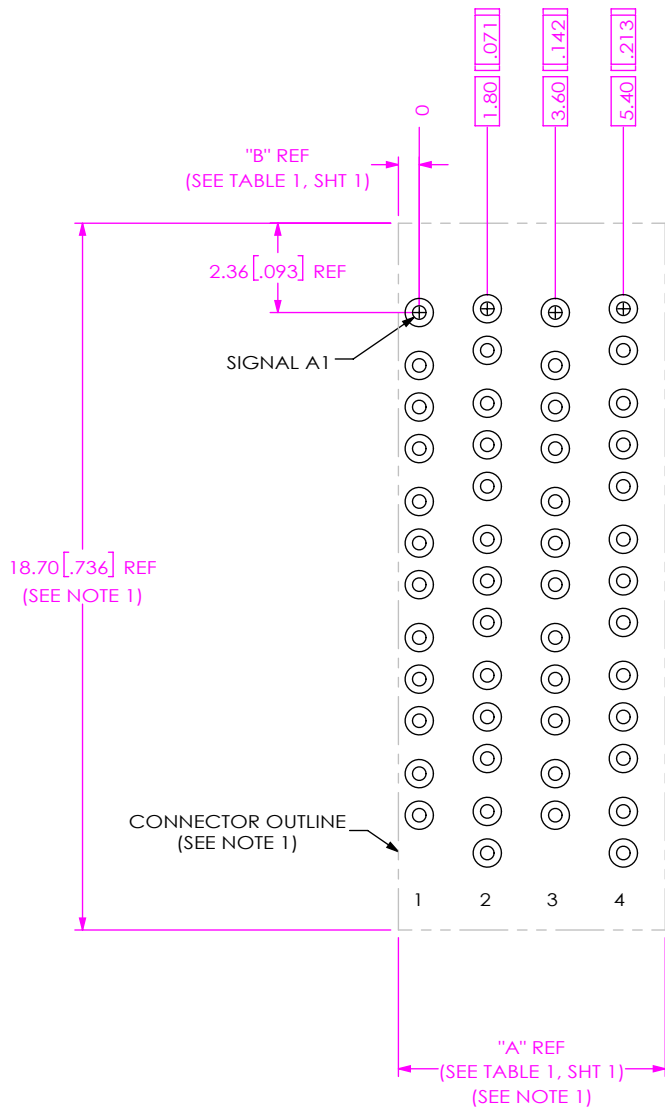
NOTES:

1. CONNECTOR ENVELOPE DIMENSION. OTHER COMPONENTS PLACED ON PCB SHALL AVOID THIS ZONE.
2. COPPER PLATING THICKNESS MAY NOT VARY BY MORE THAN 0.02[.001] WITHIN ANY VIA.
3. CONTACT SAMTEC FOR CONNECTOR PRESS FIT INSTRUCTIONS AND REQUIRED FIXTURES.
4. 1.10[.043] MIN BOARD THICKNESS.
5. OPTIONAL HOLE/MOUNTING SCREW LOCATION FOR GROUNDED PIN OR ADDITIONAL GUIDE PIN SUPPORT ONLY APPLIES FOR MACHINED GUIDE PIN APPLICATIONS.
6. USE KEEPOUT AREA FOR CONNECTOR REPAIR.

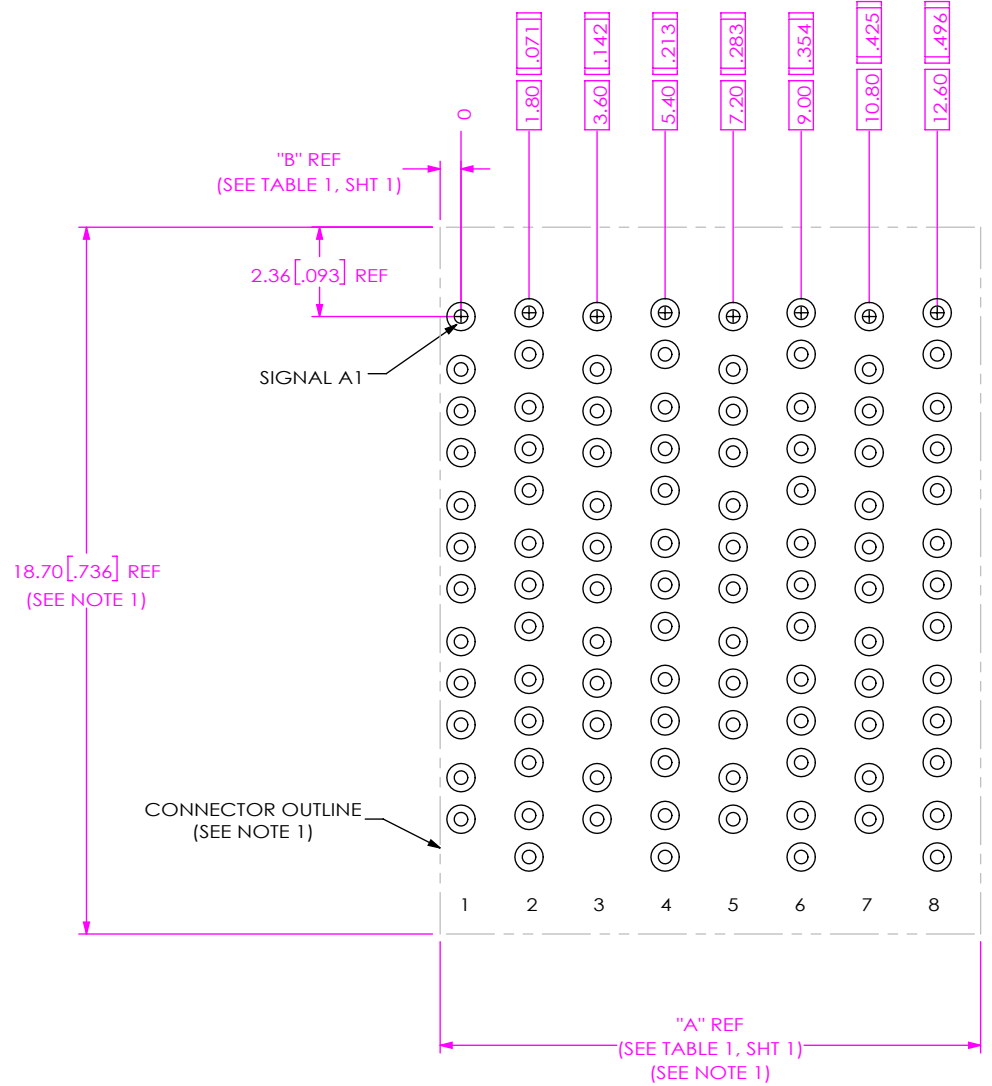
**PROPRIETARY NOTE**  
 THIS DOCUMENT CONTAINS CONFIDENTIAL AND PROPRIETARY INFORMATION AND ALL DESIGN, MANUFACTURING, REPRODUCTION, USE, PATENT RIGHTS AND SALES RIGHTS ARE EXPRESSLY RESERVED BY SAMTEC, INC. THIS DOCUMENT SHALL NOT BE DISCLOSED, IN WHOLE OR PART, TO ANY UNAUTHORIZED PERSON OR ENTITY NOR REPRODUCED, TRANSFERRED OR INCORPORATED IN ANY OTHER PROJECT IN ANY MANNER WITHOUT THE EXPRESS WRITTEN CONSENT OF SAMTEC, INC.



520 PARK EAST BLVD, NEW ALBANY, IN 47150  
 PHONE: 812-944-6733 FAX: 812-948-5047  
 e-Mail info@SAMTEC.com code 55322



**FIG 2**  
(HDTM-4-04-X-X-VT-X-X FOOTPRINT SHOWN)  
(SAME AS FIG 1, EXCEPT AS SHOW)

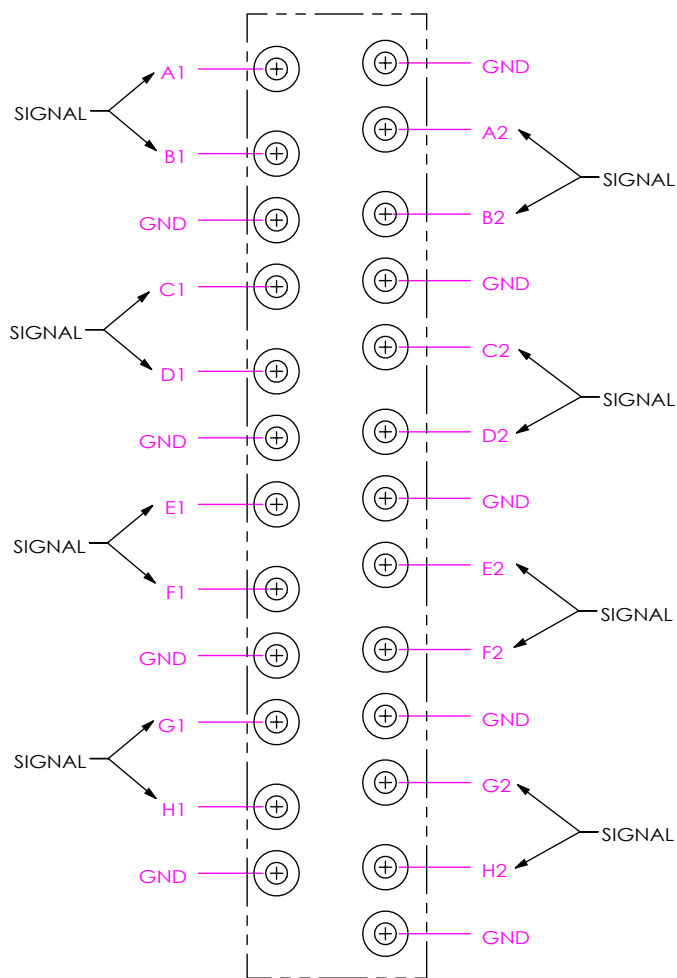


**FIG 3**  
(HDTM-4-08-X-X-VT-X-X FOOTPRINT SHOWN)  
(SAME AS FIG 1, EXCEPT AS SHOW)

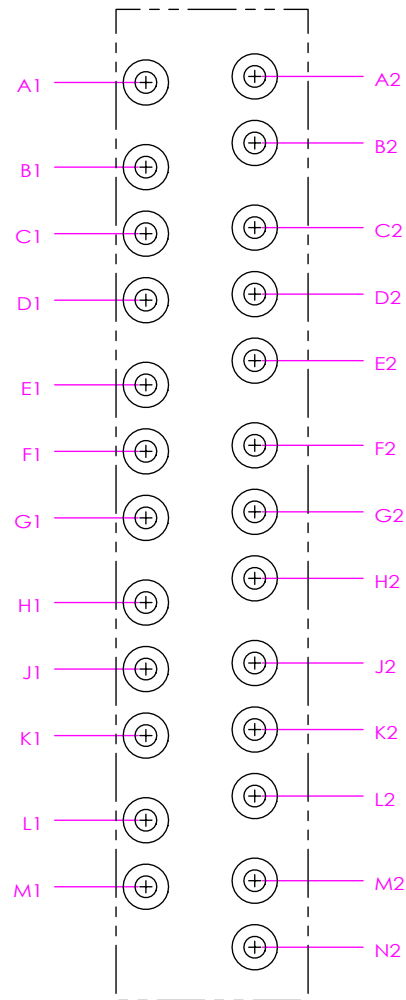
**PROPRIETARY NOTE**  
THIS DOCUMENT CONTAINS CONFIDENTIAL AND PROPRIETARY INFORMATION AND ALL DESIGN, MANUFACTURING, REPRODUCTION, USE, PATENT RIGHTS AND SALES RIGHTS ARE EXPRESSLY RESERVED BY SAMTEC, INC. THIS DOCUMENT SHALL NOT BE DISCLOSED, IN WHOLE OR PART, TO ANY UNAUTHORIZED PERSON OR ENTITY NOR REPRODUCED, TRANSFERRED OR INCORPORATED IN ANY OTHER PROJECT IN ANY MANNER WITHOUT THE EXPRESS WRITTEN CONSENT OF SAMTEC, INC.



520 PARK EAST BLVD, NEW ALBANY, IN 47150  
PHONE: 812-944-6733 FAX: 812-948-5047  
e-Mail info@SAMTEC.com code 55322



**DETAIL 'A'**  
**SCALE 8 : 1**  
 (-HS PINOUT)

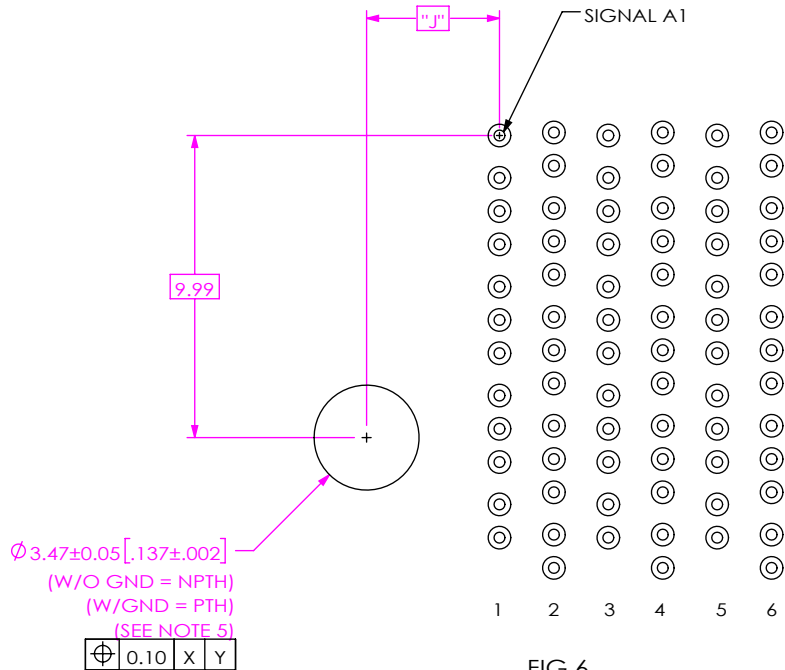


**DETAIL 'A'**  
**SCALE 10 : 1**  
 (-LC PINOUT)

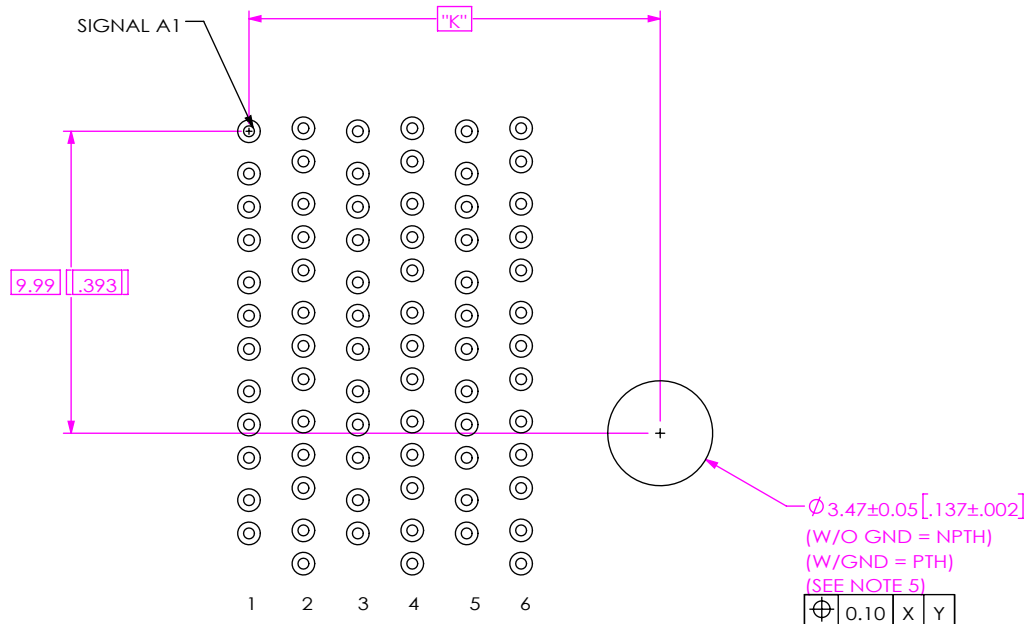
**PROPRIETARY NOTE**  
 THIS DOCUMENT CONTAINS CONFIDENTIAL AND PROPRIETARY INFORMATION AND ALL DESIGN, MANUFACTURING, REPRODUCTION, USE, PATENT RIGHTS AND SALES RIGHTS ARE EXPRESSLY RESERVED BY SAMTEC, INC. THIS DOCUMENT SHALL NOT BE DISCLOSED, IN WHOLE OR PART, TO ANY UNAUTHORIZED PERSON OR ENTITY NOR REPRODUCED, TRANSFERRED OR INCORPORATED IN ANY OTHER PROJECT IN ANY MANNER WITHOUT THE EXPRESS WRITTEN CONSENT OF SAMTEC, INC.



520 PARK EAST BLVD, NEW ALBANY, IN 47150  
 PHONE: 812-944-6733 FAX: 812-948-5047  
 e-Mail info@SAMTEC.com code 55322



**FIG 6**  
(STAND ALONE, LEFT PCB MOUNTED GUIDE PIN)  
(SAME AS FIG 1, EXCEPT AS SHOWN)



**FIG 7**  
(STAND ALONE, RIGHT PCB MOUNTED GUIDE PIN)  
(SAME AS FIG 1, EXCEPT AS SHOWN)

SIDE WALL OPTIONS	COLUMNS	"J"	"K"
-0: OPEN WALL	-04	4.40 [0.173]	10.00 [0.394]
	-06		13.60 [0.535]
	-08		17.20 [0.677]
-1: LEFT WALL	-04	6.20 [0.244]	10.00 [0.394]
	-06		13.60 [0.535]
	-08		17.20 [0.677]
-2: RIGHT WALL	-04	4.40 [0.173]	11.80 [0.465]
	-06		15.40 [0.606]
	-08		19.00 [0.748]

**PROPRIETARY NOTE**  
 THIS DOCUMENT CONTAINS CONFIDENTIAL AND PROPRIETARY INFORMATION AND ALL DESIGN, MANUFACTURING, REPRODUCTION, USE, PATENT RIGHTS AND SALES RIGHTS ARE EXPRESSLY RESERVED BY SAMTEC, INC. THIS DOCUMENT SHALL NOT BE DISCLOSED, IN WHOLE OR PART, TO ANY UNAUTHORIZED PERSON OR ENTITY NOR REPRODUCED, TRANSFERRED OR INCORPORATED IN ANY OTHER PROJECT IN ANY MANNER WITHOUT THE EXPRESS WRITTEN CONSENT OF SAMTEC, INC.

**samtec**  
 520 PARK EAST BLVD, NEW ALBANY, IN 47150  
 PHONE: 812-944-6733 FAX: 812-948-5047  
 e-Mail info@SAMTEC.com code 55322