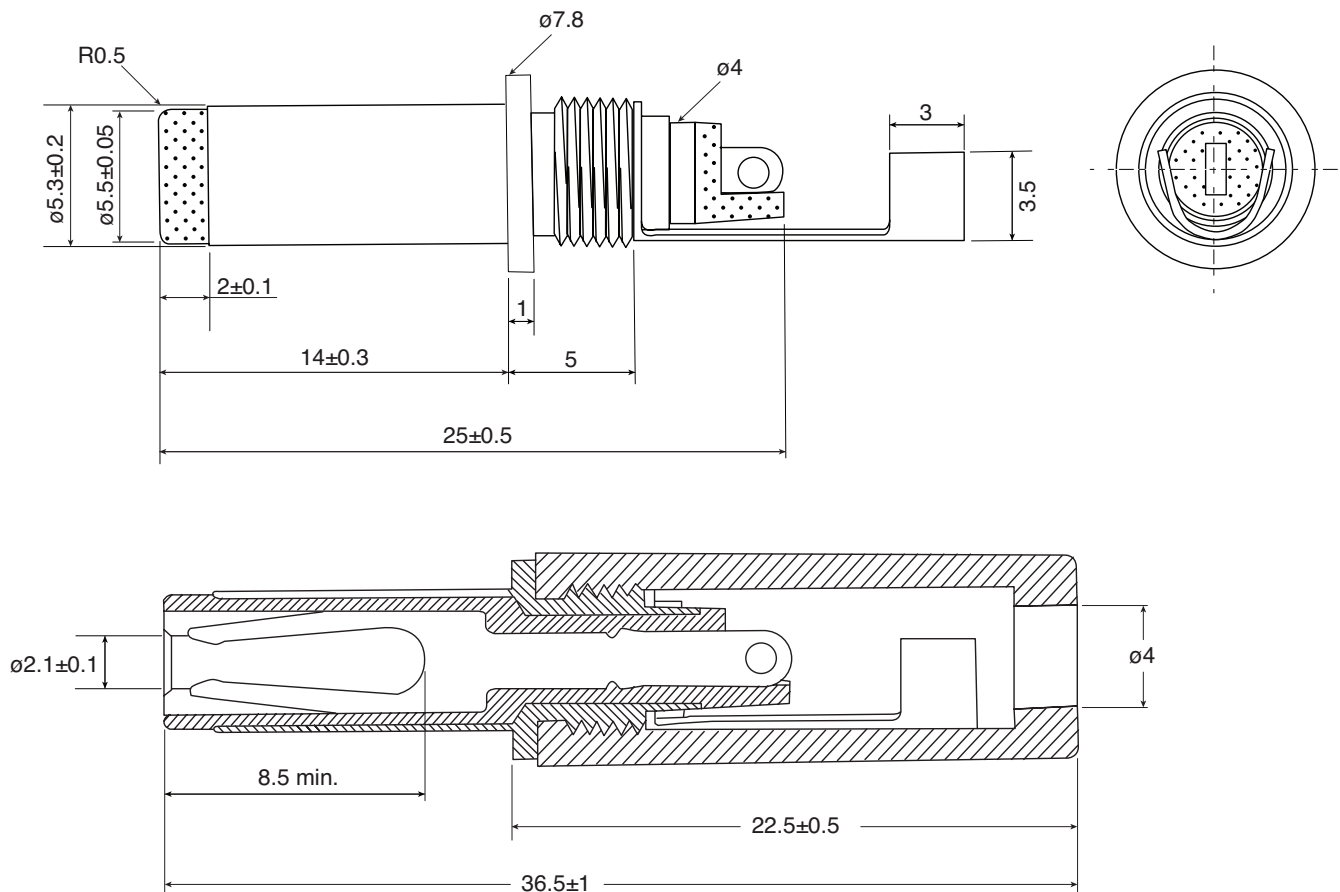


### DIMENSIONS: mm



### SPECIFICATIONS:

- DC Power Rating: 12VDC / 2A
- Withstand Voltage: AC500V / 1 minute
- Insulation Resistance: DC 500V / 100MΩ
- Contact Resistance: 60mΩ

**Note:** RoHS Compliant by Exemption

**Available from Mouser Electronics**  
**1-800-346-6873 / www.mouser.com**

KC-301142

# Mouser Electronics

Authorized Distributor

Click to View Pricing, Inventory, Delivery & Lifecycle Information:

[Kobiconn:](#)

[171-PA5521A-1-E](#)