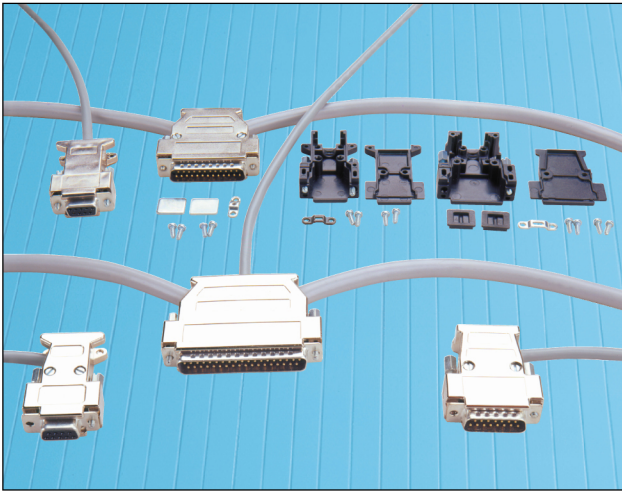


# MHD3 Series - Multi Entry D Connector Hoods Top and 60/80° Side Entry



## Order Code

Series \_\_\_\_\_ **MHD - 3 - PK - 25 - K - L**

3 = Triple Entry \_\_\_\_\_

SE = Side Entry \_\_\_\_\_

PK = Black Plastic Hood \_\_\_\_\_

MK = Metallised Plastic Hood \_\_\_\_\_

Size 9, 15, 25, 37, 50 \_\_\_\_\_

K = Individual Kit \_\_\_\_\_

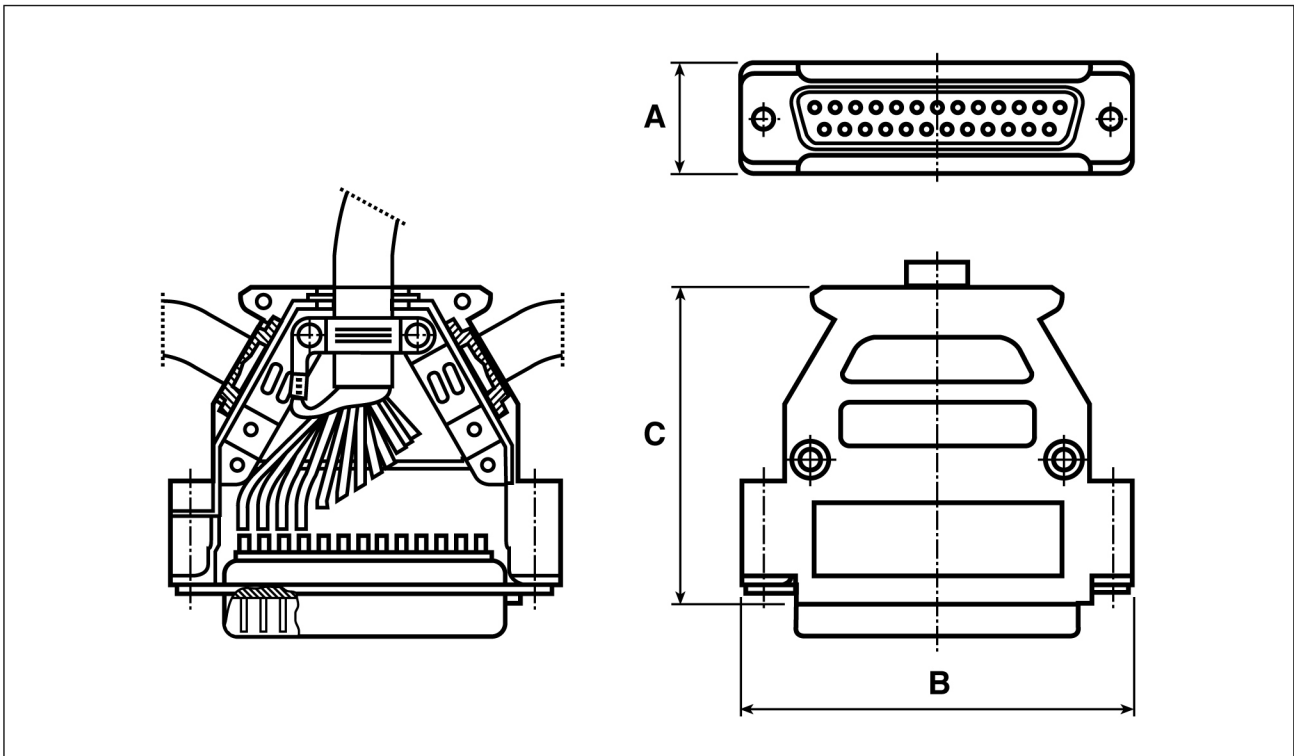
Jack Screws \_\_\_\_\_

Omit = Short Jack Screws, \_\_\_\_\_

L = Long Jack Screws \_\_\_\_\_

- Sizes 15, 25, 37 and 50 way feature triple cable entry, top and two side entries per hood, the 15 way hood has two side entries at 80° and one top entry, the 25, 37 and 50 way have two side entries at 60° and one top entry
- 2 blanking plates are supplied per hood for unused cable entries

- The 9 way hoods have only one cable entry per hood, either side 90° or top entry
- Extra blanking plates are available which enable any of the hoods to be used as a terminator
- The hoods are supplied with one cable saddle clamp per hood, if further saddle clamps are required these can be ordered separately



## Dimensions (in mm) - 9, 15, 25, 37 & 50 Ways

|          | 9    | 15   | 25   | 37   | 50   |
|----------|------|------|------|------|------|
| <b>A</b> | 15.0 | 15.0 | 15.0 | 15.0 | 18.5 |
| <b>B</b> | 31.0 | 40.0 | 53.5 | 70.0 | 70.0 |
| <b>C</b> | 45.2 | 45.2 | 45.2 | 45.2 | 45.2 |

