



Installation Flashing beacon 817

(provisional data sheet)

WERMA Signaltechnik
GmbH + Co.
Dürbheimer Straße 15
D-78604 Rietheim-Weilheim
Phone 0049/7424/9557-0
Fax 0049/7424/9557-44

Technical specification:

Operating voltage: Unenn = 12V/24V/115V/230V
Flash frequency: ca. 1Hz
Flash power: ca. 1,3 Ws
Current consumption:
817 X00 54 Flashing light 12V DC (195mA)
817 X00 55 Flashing light 24V DC
(125mA DC)
817 X00 67 Flashing light 115V AC 50-60Hz (22mA)
817 X00 68 Flashing light 230V AC 50-60Hz (15mA)
Working life: 4x10⁶ flashes
Starting current: < 0,5A at 24V

Order-Nr.:

817 X00 54 Flashing light 12V DC
817 X00 55 Flashing light 24V DC
817 X00 67 Flashing light 115V AC
817 X00 68 Flashing light 230V AC
X 1 = red 2 = green 3 = yellow 4 = clear 5 = blue

Mechanical specification:

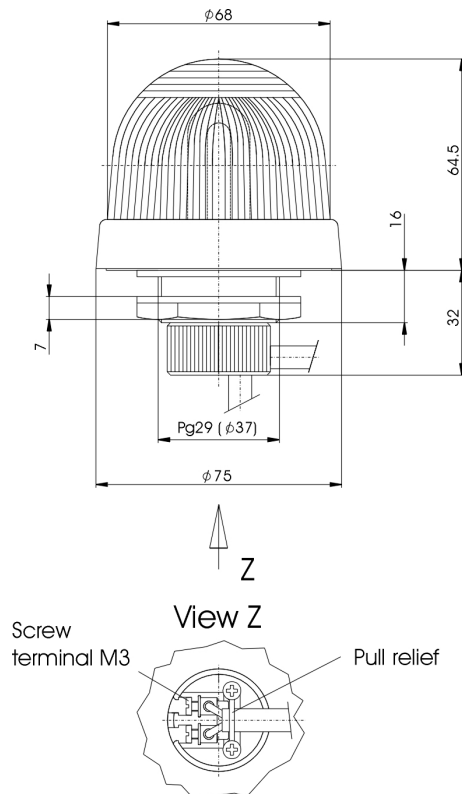
Material:
• Cap: Polycarbonat
• Housing: ABS/PC-Blend, black

Further specifications:

Mass:
817 X00 54 Flashing light 12V DC ca. 116g
817 X00 55 Flashing light 24V DC ca. 116g
817 X00 67 Flashing light 115V AC ca. 108g
817 X00 68 Flashing light 230V AC ca. 108g
Ambient temperature: ta -20°C ... +50°C
Protection rating: IP65 when installed
Flex entry: radial or axial
Pull relief: metal clip
Fixing screw: Ø 37mm (PG29)
Connection: Clamps, M3,
≤ 2,5 mm², ≤ 0,5 Nm,
AWG 18 to AWG 14

Regulations: Conform to current EC regulations.
UL-/and CSA listing available.

All specifications refer to Unenn and room temperature !



	Drawn up	proved	released	Data-sheet-No.
Name	E. Rudischhauser	R. Mordau	H. Elsäßer	000 817 501
Date	2001-09-27	2001-09-27	2001-09-28	Page 1 of 1