

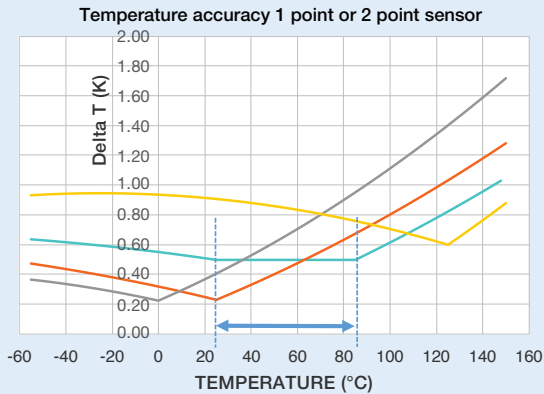


NTCLE LEADED-EPOXY COATED NTC THERMISTORS

RADIAL LEADS-SAWING TECHNOLOGY

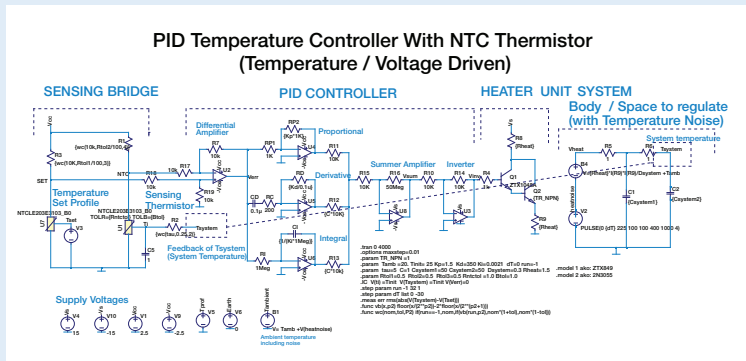
IN A NUTSHELL

ACCURACY IN TEMPERATURE MEASUREMENT



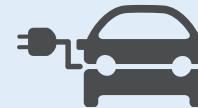
TEMPERATURE SENSING / CONTROL / PROTECTION

NTCLE203...SB0 10 KΩ



APPLICATIONS

- EV battery sensor
- Charging plug
- Ambient thermostats
- Fire detectors
- Inlet Air Temp (IAT)
- Engine Coolant (ECT)
- Air conditioning



MULTIPLE DESIGN TOOLS AVAILABLE

- Resistance /temperature curve in “My Vishay NTC Curve” (©Excel)
- 3D models available (online)
- LT and PSpice models (online)
- SPICE multi-simulator models on request (adapted to most other SPICE simulators like Multisim / TINA...)

COMPONENTS AVAILABLE IN DIFFERENT WIRE GAGES, LENGTHS, WITH(OUT) INSULATION

Insulator	None	ETFE	PEEK	PTFE	PVC
AWG32		Ag-plated Ni or NiFe			
AWG30	Sn-plated Ni	Sn-plated Ni	Ag-plated Ni	Ag-plated Ni	Sn-plated Cu
AWG28	Sn-plated Ni	Sn-plated Cu		Ag-plated Cu	
AWG26	Sn-plated Ni	Sn-plated Cu		Ag-plated Cu	
AWG24	Sn-plated Ni				Sn-plated Cu
AWG23	Sn-plated Cu				

Monostranded Length
0.4 in up to 2 in
10 mm up to 50 mm

Multistranded Length
1.5 in up to 9 in
38 mm up to 228 mm

Monostranded Length
1.5 in up to 9 in
38 mm up to 228 mm

Multistranded Length
2 in up to 150 in
50 mm up to 3810 mm