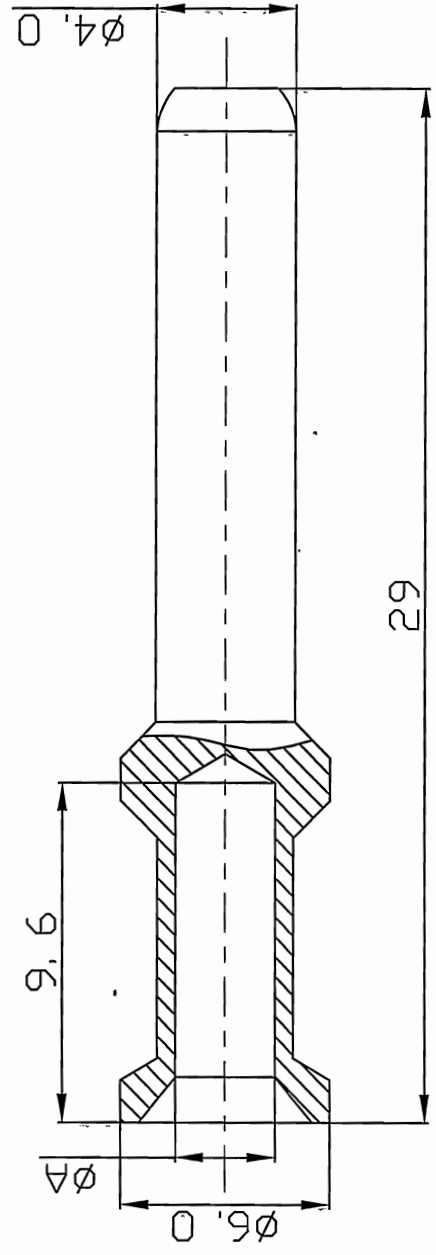


REVISION RECORD	
REV.	ECN
DESCRIPTION	DRFT
DATE	

Type of products	(∅A)	Wire gauge		Recommended stripping length
		(mm ²)	(AWG)	
◆ 40A-SM-1.5	1.75	1.5	16	9.0mm
40A-SM-2.5	2.25	2.5	14	9.0mm
40A-SM-4.0	2.85	4.0	12	9.6mm
40A-SM-6.0	3.5	6.0	10	9.6mm
40A-SM-10	4.3	10.0	8	12mm



- Crimp contacts**
01. Material :Copper alloy
 02. Surface :hard-silver plated
 03. Contact resistance : ≤0.3mΩ
 04. Terminal :Crimp connection
 05. Wire gauge :1.5-6mm² (AWG 16-10)
 06. Rohs Compliance

PART NO.: /	NINGBO DEGSON ELECTRICAL CO., LTD
APPD: <i>MS 2016.8.11</i>	NAME: 40A-Male Contacts
CHKD: <i>CKK 2016.8.10</i>	TITLE: CUSTOMER DRAWING
DRFT: Mr. Yang 2016.08.08	DRAWING NO.: /
THIRD ANGLE PROJECTION	DO NOT SCALE
	SCALE 5:1