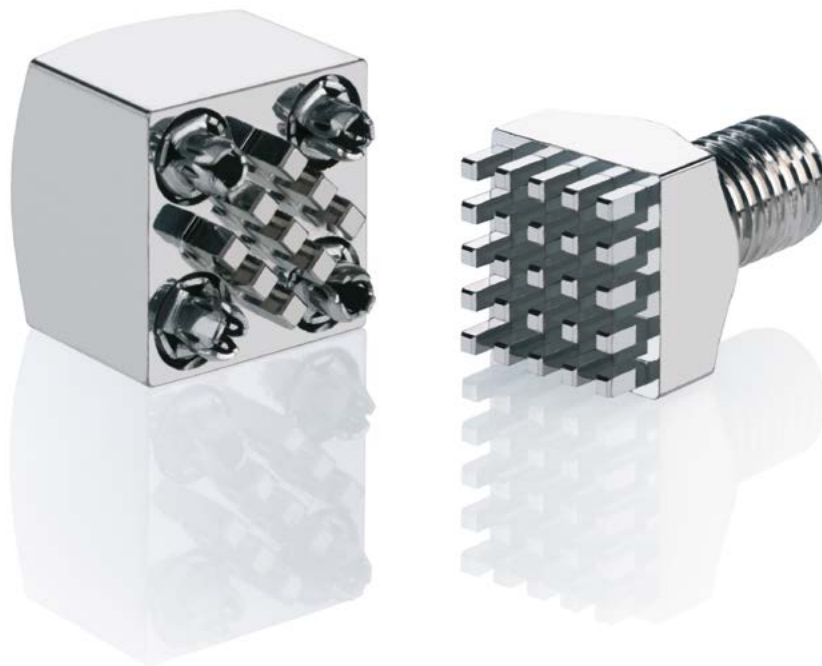


PowerElements

powered by BLUEcontact Solutions™

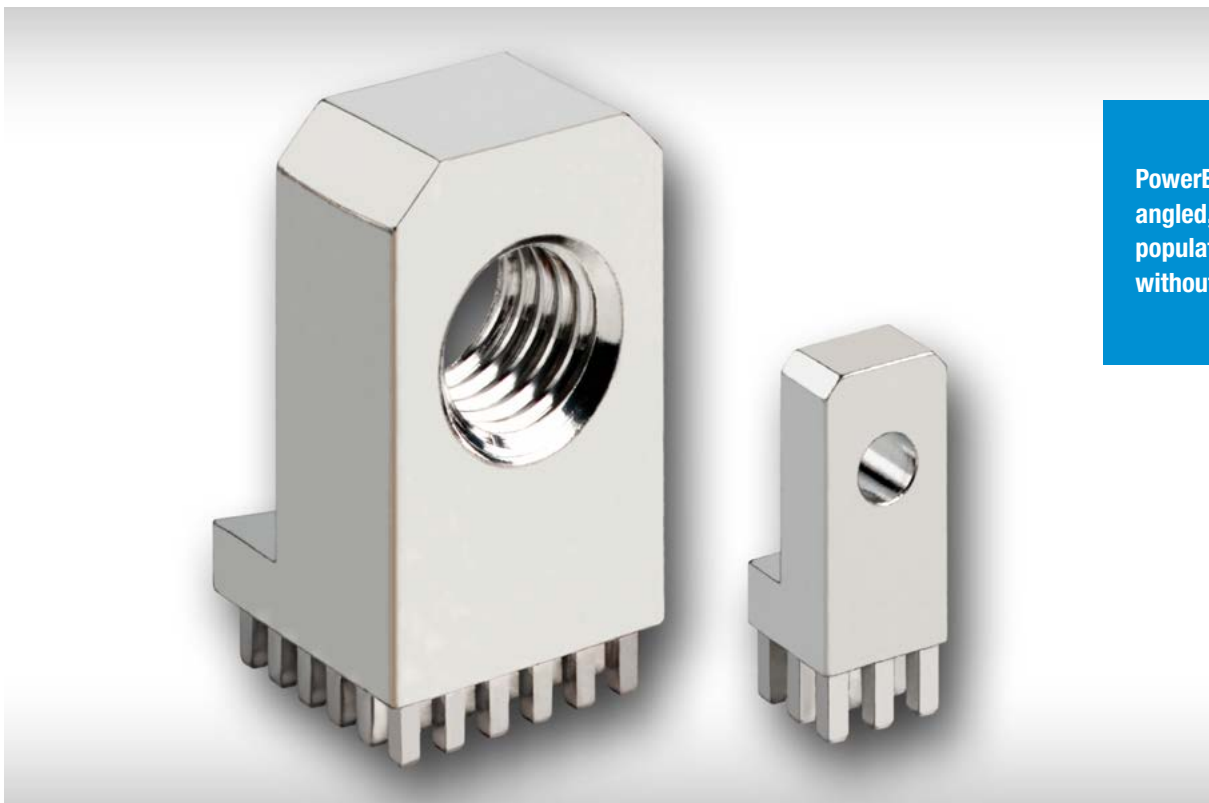


Original size PowerElement male thread M5

PowerElements

BLUEcontact Solutions™

GENERAL



PowerElements
angled, full pin
population, with and
without threads

As stated in its name, PowerElements can be used anywhere where you are dealing with “power” sourcing capabilities, namely high current on the PCB.

Be it “wire-to-board” sourcing and distribution in PCB based high current applications, or assembly, component connection and fixation such as screw locking (e.g. midi or mega fuses), relays with screw connection, conductor rail etc. on the PCBs.

For this we also provide additional insulation bodies e.g. twist protection, to avoid shorts and contact on the cable side of the connections such as cable lugs. Also mechanical challenges, such as the PCB connection inside a housing, in the interior or even with

PowerElements

BLUEcontact Solutions™ —

GENERAL

a second PCB can be realised using PowerElements. The two piece PowerElement offers a special feature – it is press fitted from both sides of the PCB. The bearing surface on either side provide protection to the PCB against mechanical stress during assembly in the installation space.

Here, there are no limits to the variety of BLUEcontact PowerElements connection options.

Whether it's the headless screw, the thread nut as well as through holes or blind holes, whether perpendicular or angled, even the installation height, connection surface and thread or drill dimension can be selected and combined without restriction.

PowerElements in press-fit technology and SMD solder technology are available for processing. SMD PowerElements are delivered blister packed for fully automated assembly.

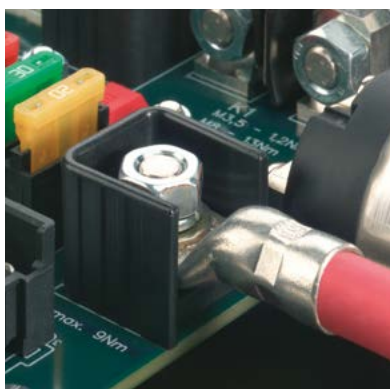


PowerElements with flexible and massive pressfit zone

PowerElements

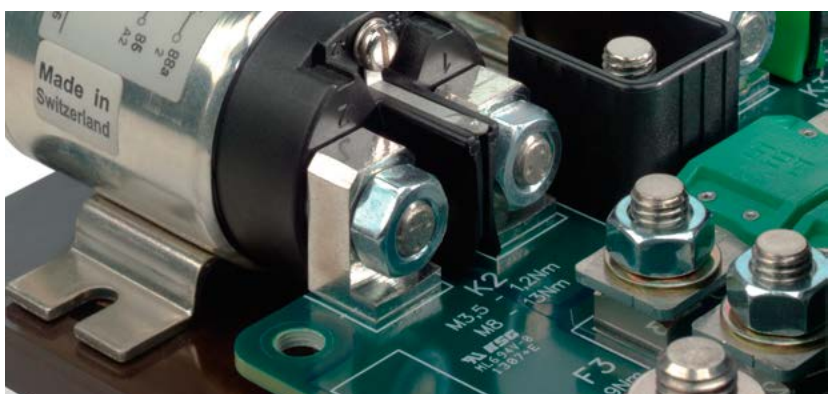
CHARACTERISTICS —

APPLICATION EXAMPLES



Attaching a cable to a M8 male thread PowerElement with twist protection (top left)

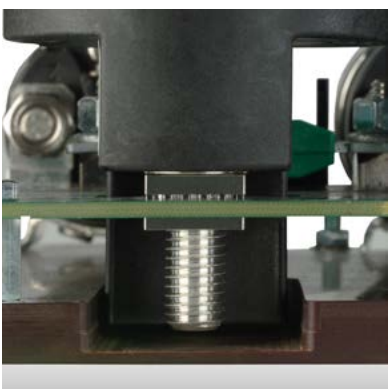
Attaching a megafuse on two M8 male thread PowerElements (top right)



Attaching a high-current relay onto an angled PowerElement (centre)

Attaching a battery disconnecting switch on two piece PowerElements (bottom centre)

Attaching a midifuse onto two M5 male thread PowerElements (below right)



PowerElements

CHARACTERISTICS —

FITTING INSTRUCTIONS

The BLUEcontact PowerElements are REACH conform and with a lead content under 4 percentage by weight, they are also RoHS conform. The PowerElements can be press fitted from a PCB thickness of 1.6 mm upwards. Immersion tin and HAL lead free are the most preferable PCB surfaces here. PowerElements for SMD solder technology should not be stored for longer than six months, as the sol-

derability can otherwise not be guaranteed.

- Retention force according to IEC 60352-5
- Press fit force: max. 250 N per pin
- Temperature range: -40°C to + 135°C

TECHNICAL DATA

Material base body	CuZn39Pb3
Material flexible pressfit zone	CuNiSi
Surface	Tin plated
Retention force	According to IEC 352-5
Press fit force	Max. 250 N per pin Min. 40 N per pin
Press out force	Min. 30 N per pin
PCB thickness	Min. 1.6 mm

PowerElements

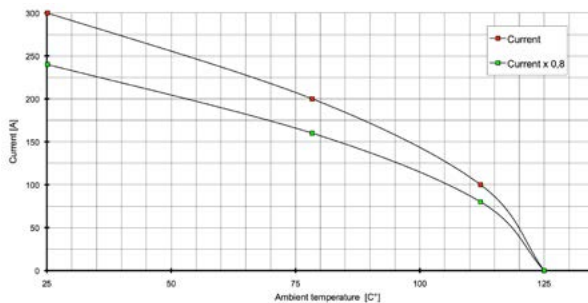
WITH FLEXIBLE AND MASSIVE PRESSFIT ZONE / CHARACTERISTICS

GENERAL TECHNICAL DATA

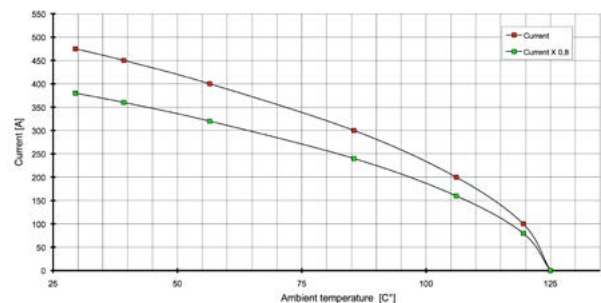
Current carrying capacity per PowerElement	290 A at 20°C (and more – depending on design)
Tightening torque M5/M6/M8/M10	2.2 Nm / 3.9 Nm / 9.0 Nm / 17.0 Nm
Operating temperature	-40°C to +135°C

DERATING CURVE

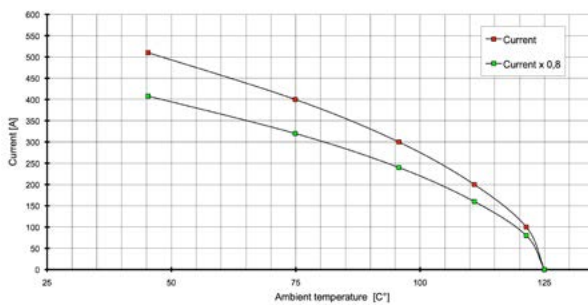
Current carrying capability PowerElement M5 - Product no. 225414



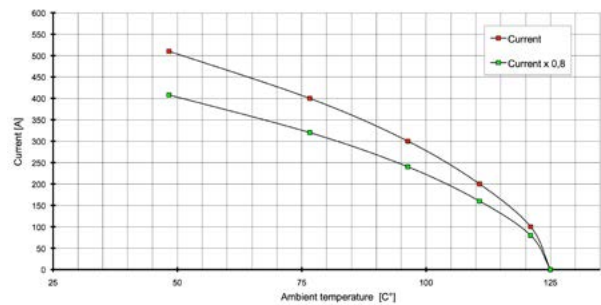
Current carrying capability PowerElement M6 - Product no. 225415



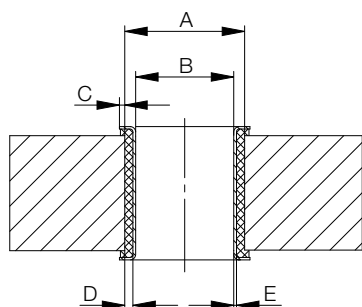
Current carrying capability PowerElement M8 - Product no. 225416



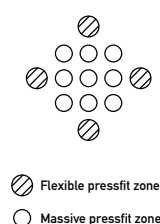
Current carrying capability PowerElement M10 - Product no. 225417



DRILL HOLE SPECIFICATIONS



Drill hole arrangement in the PCB



	Surface	A	B	C	D	E
Flexible pressfit zone M5 / M6 / M8 / M10	Immersion tin	$\varnothing 3.2 -0.03$	$\varnothing 3.1 \begin{smallmatrix} +0.04 \\ -0.06 \end{smallmatrix}$	0.1 min.	Cu 25 μm min. Cu 60 μm max.	Sn chem. typ. 1 μm
Flexible pressfit zone M5 / M6 / M8 / M10	HAL lead free	$\varnothing 3.2 -0.03$	$\varnothing 3.1 \begin{smallmatrix} +0.04 \\ -0.06 \end{smallmatrix}$	0.1 min.	Cu 25 μm min. Cu 60 μm max.	Sn 20 μm max.
Massive pressfit zone M5 / M6	Immersion tin	$\varnothing 2.3 -0.03$	$\varnothing 2.175 \pm 0.05$	0.1 min.	Cu 25 μm min. Cu 60 μm max.	Sn 15 μm max.
Massive pressfit zone M5 / M6	HAL lead free	$\varnothing 2.3 -0.03$	$\varnothing 2,15 \pm 0,05$	0.1 min.	Cu 25 μm min. Cu 60 μm max.	Sn 15 μm max.
Massive pressfit zone M8 / M10	Immersion tin	$\varnothing 3.0 -0.03$	$\varnothing 2.875 \pm 0,05$	0.1 min.	Cu 25 μm min. Cu 60 μm max.	Sn 15 μm max.
Massive pressfit zone M8 / M10	HAL lead free	$\varnothing 3.0 -0.03$	$\varnothing 2.875 \pm 0,05$	0.1 min.	Cu 25 μm min. Cu 60 μm max.	Sn 15 μm max.

CAUTION:

It is essential that both the drill diameter and final diameter are complied with in order to guarantee the specified characteristics.

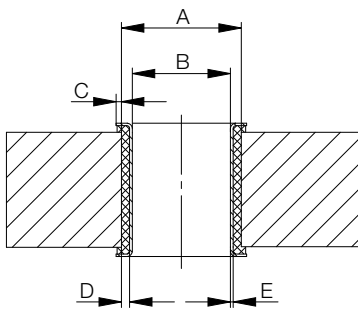
PowerElements

MASSIVE PRESSFIT ZONE ONLY / CHARACTERISTICS

GENERAL TECHNICAL DATA

Current carrying capability per PowerElement	Approx. 10 A per pin
Tightening torque M3/M4/M5/M6/M8/M10	0.5 Nm / 1.2 Nm / 2.2 Nm / 3.9 Nm / 9.0 Nm / 17.0 Nm
Operating temperature	-40°C to +135°C

DRILL HOLE SPECIFICATIONS



	Surface	A	B	C	D	E
Massive pressfit zone	Immersion tin	$\varnothing 1.6 -0.03$	$\varnothing 1.475 \pm 0.05$	0.1 min.	Cu 25 μm min. Cu 60 μm max.	Sn 15 μm max.
	HAL lead free	$\varnothing 1.6 -0.03$	$\varnothing 1.45 \pm 0.05$	0.1 min.	Cu 25 μm min. Cu 60 μm max.	Sn 15 μm max.

CAUTION:

It is essential that both the drill diameter and final diameter are complied with in order to guarantee the specified characteristics.

PowerElements

FOR SMD SOLDER TECHNOLOGY

GENERAL TECHNICAL DATA

Current carrying capability per PowerElement	Up to 200 A*
Tightening torque M3/M4/M5/M6/M8/M10	0.5 Nm / 1.2 Nm / 2.2 Nm / 3.9 Nm / 9.0 Nm / 17.0 Nm
Operating temperature	-40°C to +135°C
Solder paste thickness	150 µm

* current carrying capability is subject to PCB thickness, cable cross section, the soldering tin used as well as ambient temperature

PRODUCT GROUPS

The PowerElements for SMD-Solder technology are usually categorised into three main groups

- SMD pin (with or without peg)
- SMD socket (with or without peg)
- SMD socket with through-hole thread

LAYOUT SPECIFICATIONS

The SMD PowerElements have a round base body that is rotationally symmetrical. The diameter of the SMD Pad should be at least 0.5 mm greater than the diameter of the base body of the selected PowerElement. In the case of elements with a spigot, an additional non-plated through hole with a drilled diameter of 1.2 mm must be provided in the center. In the case of elements with a through hole, additional non-plated through holes must also be provided, depending on the diameter of the base body:

- PowerElement with diameter 8 mm: NPT hole with 4.2 mm
- PowerElement with diameter 10 mm: NPT hole with 6.2 mm
- PowerElement with diameter 14 mm: NPT hole with 9.2 mm
- PowerElement with diameter 17 mm: NPT hole with 12.2 mm

If you have detailed questions about the layout or ideal soldering paste, please contact the ERNI team directly.

MASSIVE PRESSFIT ZONE ONLY / CHARACTERISTICS

PRODUCT MATRIX PRESSFIT TECHNOLOGY

	Number of pins	4 pins with flexible pressfit zone, 9 pins with massive pressfit zone								
	Female thread, with flexible and massive Pressfit zone	M5, M6, M8, M10								






	Number of pins	6	8	9	10	12	16	20	25	36
	Male thread, full pin population			M3 M4 M5			M4 M5		M6 M8	M10
	Female thread, full pin population			M3			M4 M5 M6		M8	M10
	Female thread, two rows pin population	M3	M4 M5 M6		M8	M10				
	Female thread, circular pin population		M2,5			M4 M5	M6 M8	M10		
	Angled, full pin population			M3 ø3.2			M4, M5 ø4.2 ø5.2		M6, M8 ø6.2 ø8.2	M10 ø10.2
	Angled, two rows pin population	M3 ø3.2	M4, M5 ø4.2 ø5.2		M6, M8 ø6.2 ø8.2	M10 ø10.2				
	Protection for PowerElements with male thread	Suitable for M3, M4, M5, M6, M8, M10								

	Anzahl Pins	8	10	12	16	20
	Zweiteilig, Grundkörper Pins zweireihig	M3, M4 ø3,2, ø4,2	M4, M5, M6 ø4,2, ø5,2, ø6,2	M8 ø8,2		
	Zweiteilig, Grundkörper Pins rundum			M3, M4, M5 ø4,2, ø5,2	M4, M5, M6 ø4,2, ø5,2, ø6,2	M8, M10 ø6,2, ø8,2

PowerElements

OVERVIEW —

PRODUCT MATRIX SMD-SOLDER TECHNOLOGY

	Diameter	7	9	13	16
	SMD pin	M3	M4, M5	M6, M8	M10
	SMD pin with spigot	M3	M4, M5	M6, M8	M10
	SMD socket	M3	M4, M5	M6, M8	M10
	SMD socket with spigot	M3	M4, M5	M6, M8	M10
	SMD socket with through-hole thread	M3	M4, M5	M6, M8	M10

PowerElements

FLEXIBLE AND MASSIVE PRESSFIT ZONE

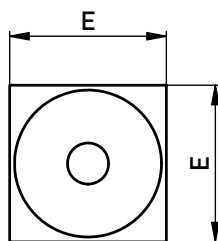
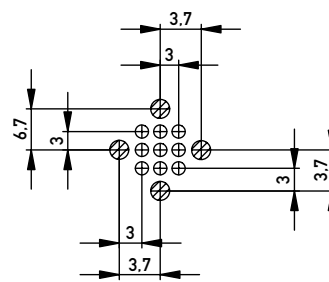
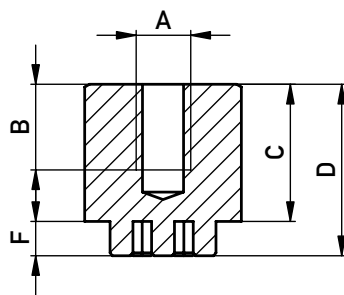
PRODUCT SPECIFICATION



- Specifically for applications in which massive pressfit technology is not permitted for sole power transmission.
- For especially high demands eg. for very high power coupling

DIMENSIONAL DRAWINGS

M5 / M6 Power Elements

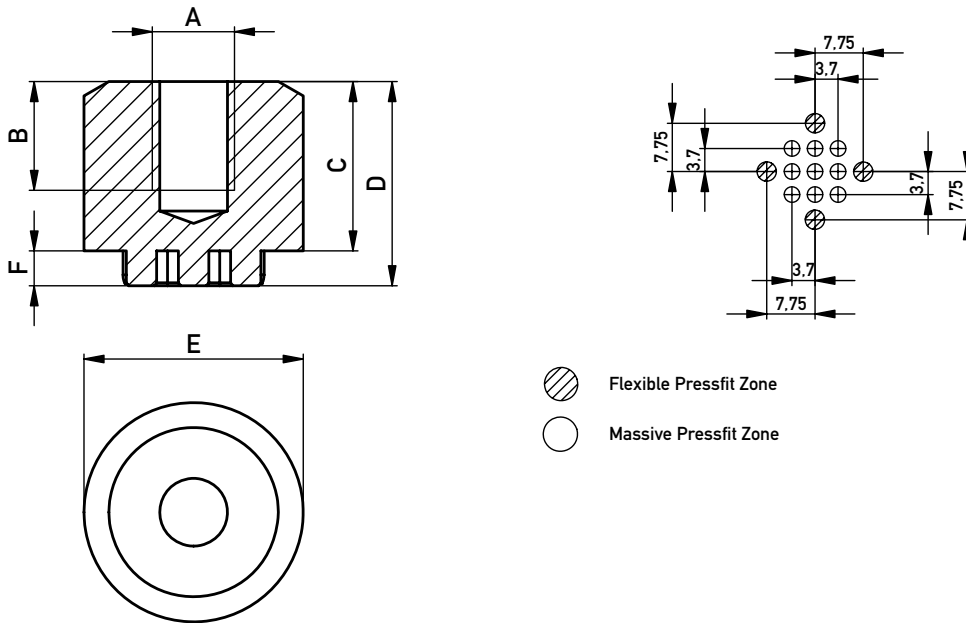


- Flexible Pressfit Zone
- Massive Pressfit Zone

PowerElements

FLEXIBLE AND MASSIVE PRESSFIT ZONE

M8 / M10 Power Elements



ORDERING INFORMATION

A	B	C	D	E	F	Weight	Part Number
M5	6	14	17.5	16	3.5	25	225414
M6	6	14	17.5	16	3.5	24	225415
M8	11	17	20.5	22	3.5	46	225416
M10	11	17	20.5	22	3.5	43	225417

Dimension B - F in mm, Weight in g

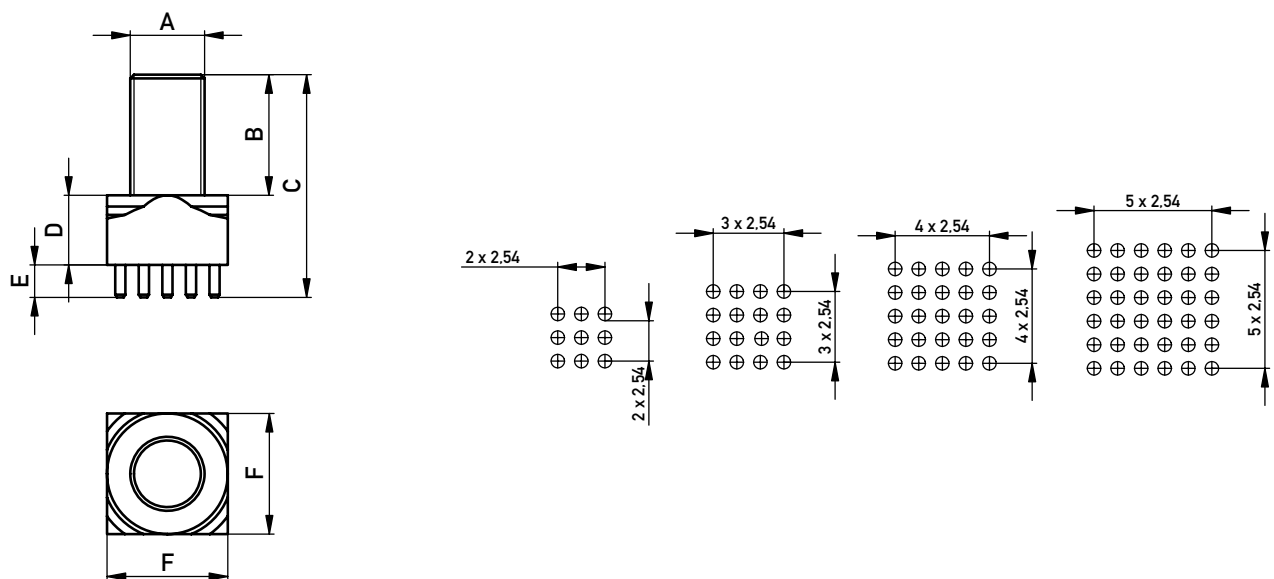
MASSIVE PRESSFIT ZONE, MALE THREAD AND FULL PIN POPULATION

PRODUCT SPECIFICATION



- PCB connection for fixing cable lugs
- Fixing midi or mega fuses on the PCB
- UNC thread or customer specific modifications on demand

DIMENSIONAL DRAWINGS



MASSIVE PRESSFIT ZONE, MALE THREAD AND FULL PIN POPULATION

ORDERING INFORMATION

A	B	C	D	E	F	No. of Pins	Weight	Part Number
M3	5	11	3	3.5	7	9	2.1	225675
M4	6	13	3.5	3.5	9	16	3.6	225676
M4	6	12.5	3	3.5	7	9	3.6	225804
M5	8	15.5	4	3.5	7	9	4.3	225777
M5	8	16	4.5	3.5	9	16	4.9	225677
M6	10	19	5.5	3.5	13	25	10.5	225678
M8	13	24	7.5	3.5	13	25	15.9	225679
M10	16	27.5	8	3.5	16	36	27.2	225680

Dimension B - F in mm, Weight in g

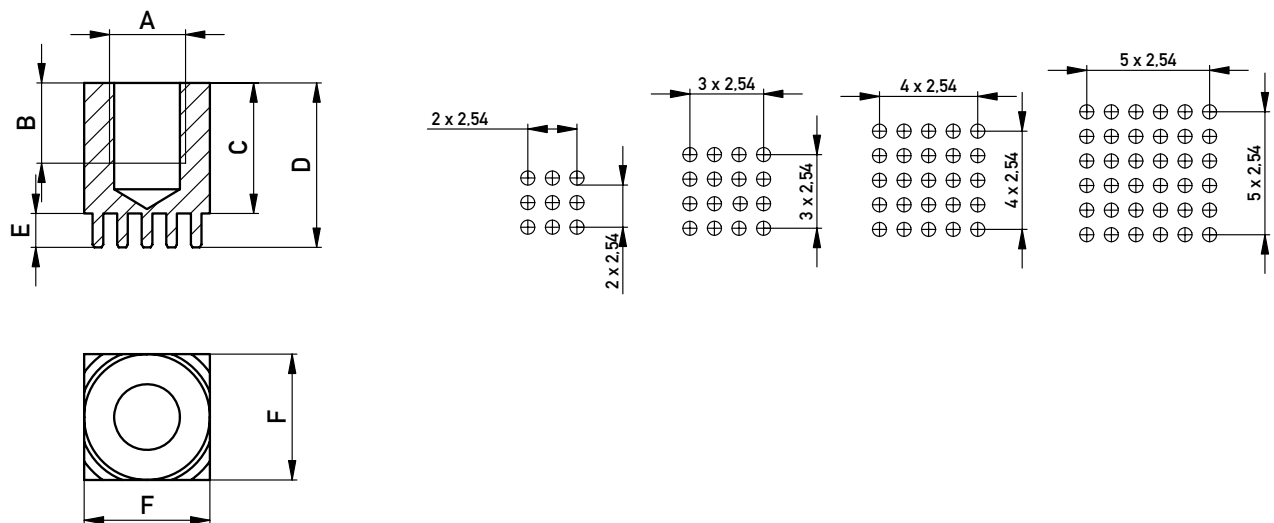
MASSIVE PRESSFIT ZONE, FEMALE THREAD AND FULL PIN POPULATION

PRODUCT SPECIFICATION



- PCB connection for fixing cable lugs
- Fixing midi or mega fuses on the PCB
- UNC thread or customer specific modifications on demand

DIMENSIONAL DRAWINGS



MASSIVE PRESSFIT ZONE, FEMALE THREAD AND FULL PIN POPULATION

ORDERING INFORMATION

A	B	C	D	E	F	No. of Pins	Weight	Part Number
M3	3.5	6	9.5	3.5	7	9	2.5	225681
M4	4	7	10.5	3.5	9	16	4.6	225682
M5	4	7	10.5	3.5	9	16	4.4	225683
M6	6.5	10.5	14	3.5	10	16	7	225684
M8	8	13.5	17	3.5	13	25	14.2	225685
M10	11	17.5	21	3.5	16	36	26.2	225686

Dimension B - F in mm, Weight in g

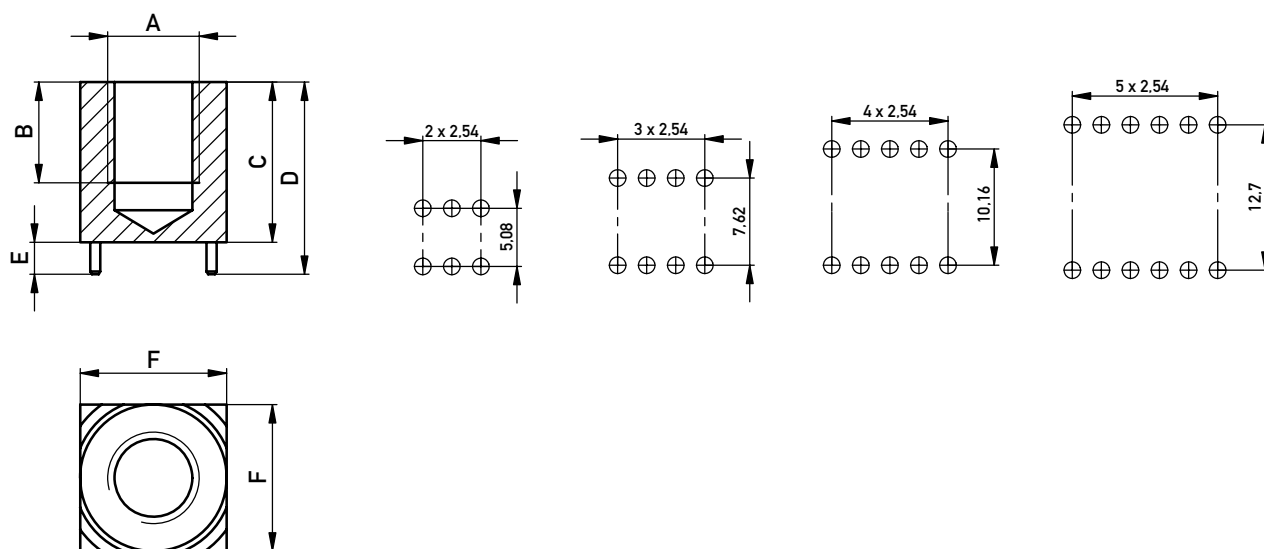
MASSIVE PRESSFIT ZONE, FEMALE THREAD AND TWO ROWS PIN POPULATION

PRODUCT SPECIFICATION



- PCB connection for fixing cable lugs
- Available with continuous thread
- Fixing midi or mega fuses on the PCB
- When smaller pressfit forces are required
- When the layout does not permit full pin population
- UNC thread or customer specific modifications on demand

DIMENSIONAL DRAWINGS



MASSIVE PRESSFIT ZONE, FEMALE THREAD AND TWO ROWS PIN POPULATION

ORDERING INFORMATION

A	B	C	D	E	F	No. of Pins	Weight	Part Number
M3	5	6	9.5	3.5	7	6	2.3	225693
M4	6	7	10.5	3.5	9	8	4.2	225694
M5	6	7	10.5	3.5	9	8	3.8	225695
M6	9	13.5	17	3.5	10	8	8.2	225696
M8	10	13.5	17	3.5	13	10	12.2	225697
M10	11	17.5	21	3.5	16	12	25.3	225698

Dimension B - F in mm, Weight in g

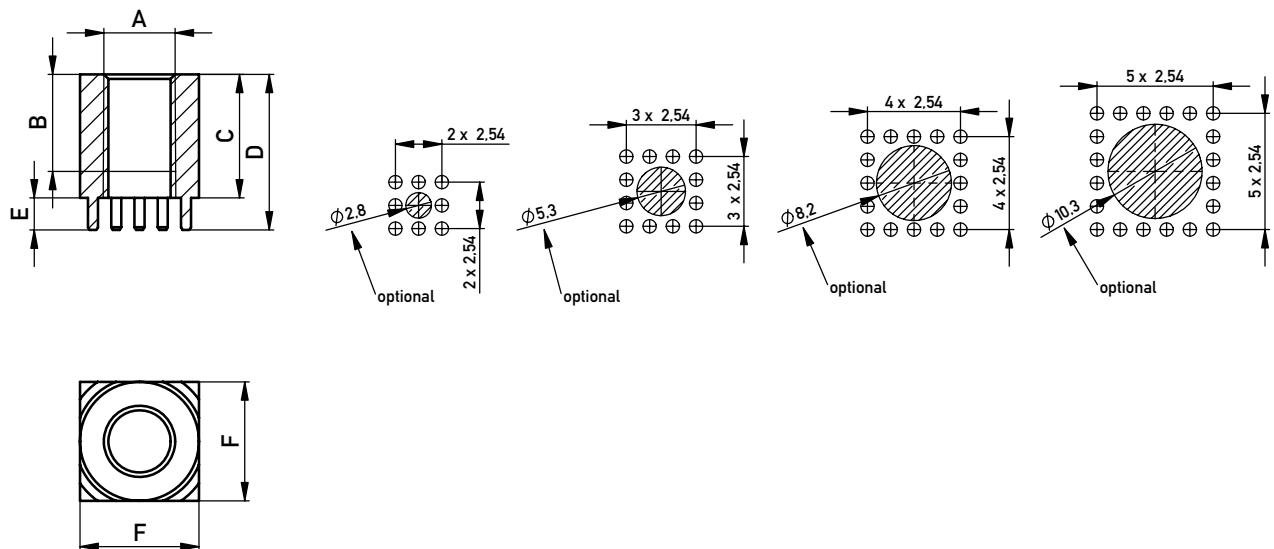
MASSIVE PRESSFIT ZONE, FEMALE THREAD AND CIRCULAR PIN POPULATION

PRODUCT SPECIFICATION



- PCB connection for fixing cable lugs
- Available with continuous thread
- Fixing midi or mega fuses on the PCB
- When smaller pressfit forces are required
- When the layout does not permit full pin population
- UNC thread or customer specific modifications on demand

DIMENSIONAL DRAWINGS



MASSIVE PRESSFIT ZONE, FEMALE THREAD AND CIRCULAR PIN POPULATION

ORDERING INFORMATION

A	B	C	D	E	F	No. of Pins	Weight	Part Number
M2.5	5	6	9.5	3.5	7	8	2.5	225687
M4	5.2	6	9.5	3.5	9	12	3.8	225688
M5	–	6	9.5	3.5	9	12	3.6	225689
M6	–	13.5	17	3.5	13	16	14.6	225690
M8	–	13.5	17	3.5	13	16	12.4	225691
M10	–	17.5	21	3.5	16	20	22.6	225692

Dimension B - F in mm, Weight in g

PowerElements

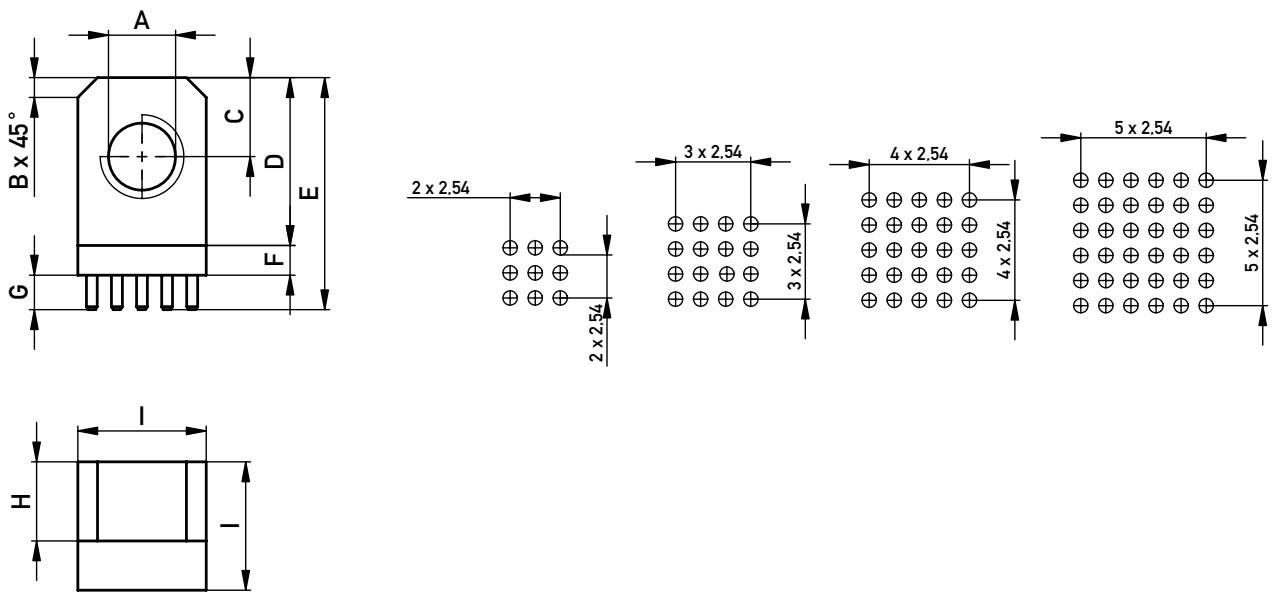
MASSIVE PRESSFIT ZONE, ANGLED, FULL PIN POPULATION

PRODUCT SPECIFICATION



- PCB connection for fixing cable lugs
- Connection 90°
- Available with thread or through hole
- UNC thread or customer specific modifications on demand
- As a fixing element for assembly onto housing etc.
- E.g. for the connection of high current relays

DIMENSIONAL DRAWINGS



MASSIVE PRESSFIT ZONE, ANGLED, FULL PIN POPULATION

ORDERING INFORMATION

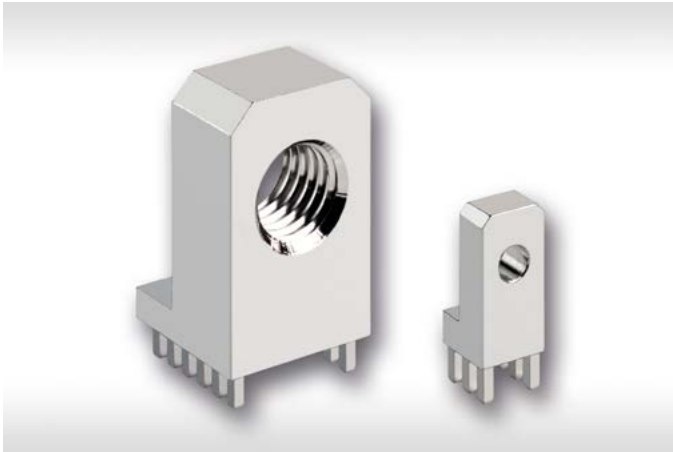
A	B	C	D	E	F	G	H	I	No. of Pins	Weight	Part Number
M3	1	5	11	17.5	3	3.5	4	7	9	4.2	225699
M4	1.5	5	11	17.5	3	3.5	5	9	16	6.6	225700
M5	1.5	5	11	17.5	3	3.5	5	9	16	6.4	225701
M6	2	8	17	23.5	3	3.5	8	13	25	19	225702
M8	2	8	17	23.5	3	3.5	8	13	25	17.7	225703
M10	2.5	10	22	28.5	3	3.5	10	16	36	22.6	225704
ø 3.2	1	5	11	17.5	3	3.5	4	7	9	4	225705
ø 4.2	1.5	5	11	17.5	3	3.5	5	9	16	6.3	225706
ø 5.2	1.5	5	11	17.5	3	3.5	5	9	16	6	225707
ø 6.2	2	8	17	23.5	3	3.5	8	13	25	18.3	225708
ø 8.2	2	8	17	23.5	3	3.5	8	13	25	16.7	225709
ø 10.2	2.5	10	22	28.5	3	3.5	10	16	36	30.9	225710
ø 10.2	2.5	10	22	28.5	3	3.5	5	16	36	30.9	225784

Dimension B - I in mm, Weight in g

PowerElements

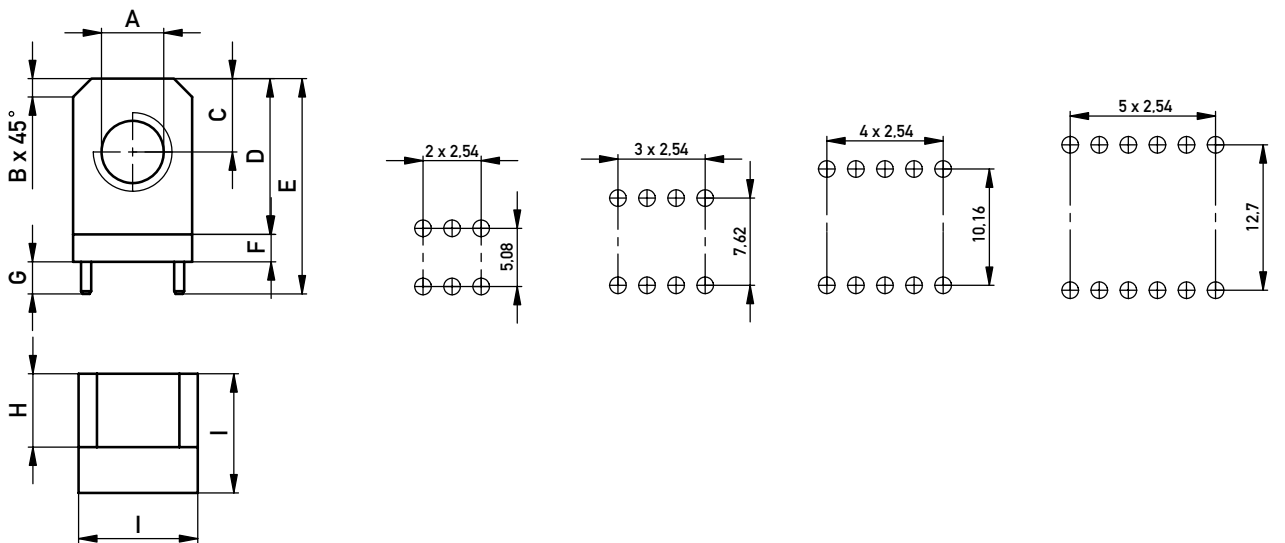
MASSIVE PRESSFIT ZONE, ANGLED, TWO ROW PIN POPULATION

PRODUCT SPECIFICATION



- PCB connection for fixing cable lugs
- Connection 90°
- Available with thread or through hole
- UNC thread or customer specific modifications on demand
- When smaller pressfit forces are required
- When the layout does not permit full pin population
- E.g. for the connection of high current relays

DIMENSIONAL DRAWINGS



MASSIVE PRESSFIT ZONE, ANGLED, TWO ROW PIN POPULATION

ORDERING INFORMATION

A	B	C	D	E	F	G	H	I	No. of Pins	Weight	Part Number
M3	1	5	11	17.5	3	3.5	4	7	6	4	225711
M4	1.5	5	11	17.5	3	3.5	5	9	8	6.3	225712
M5	1.5	5	11	17.5	3	3.5	5	9	8	6.1	225713
M6	2	8	17	23.5	3	3.5	8	13	10	18.4	225714
M8	2	8	17	23.5	3	3.5	8	13	10	17.2	225715
M10	2.5	10	22	28.5	3	3.5	10	16	12	31.5	225716
ø 3.2	1	5	11	17.5	3	3.5	4	7	6	3.9	225717
ø 4.2	1.5	5	11	17.5	3	3.5	5	9	8	6	225718
ø 5.2	1.5	5	11	17.5	3	3.5	5	9	8	5.7	225719
ø 6.2	2	8	17	23.5	3	3.5	8	13	10	17.7	225720
ø 8.2	2	8	17	23.5	3	3.5	8	13	10	16.2	225721
ø 10.2	2.5	10	22	28.5	3	3.5	10	16	12	30	225722

Dimension B - I in mm, Weight in g

PowerElements

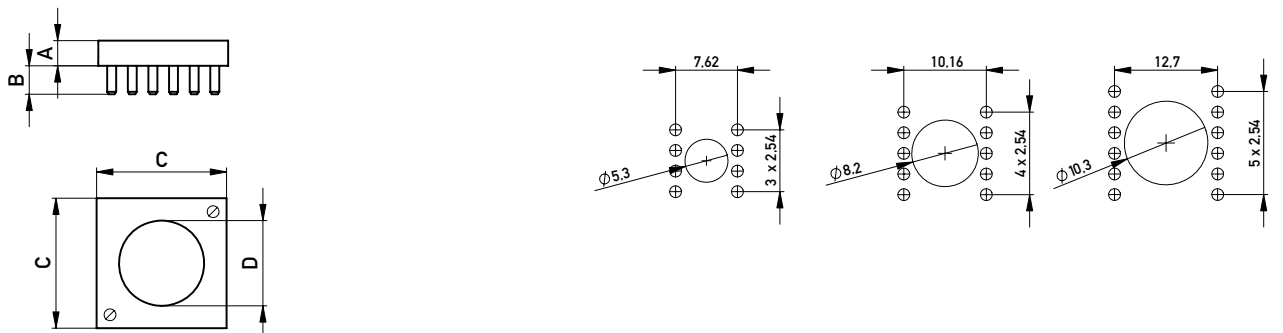
TWO-PART, BASE-PART, TWO ROW PIN POPULATION

PRODUCT SPECIFICATION



- PCB connection for fixing cable lugs
- Fixing of large heavy components (e.g. battery disconnection switch)
- Protecting PCB from mechanical stress
- Pitch 2.54 mm

DIMENSIONAL DRAWINGS



PowerElements

TWO-PART, BASE-PART, TWO ROW PIN POPULATION

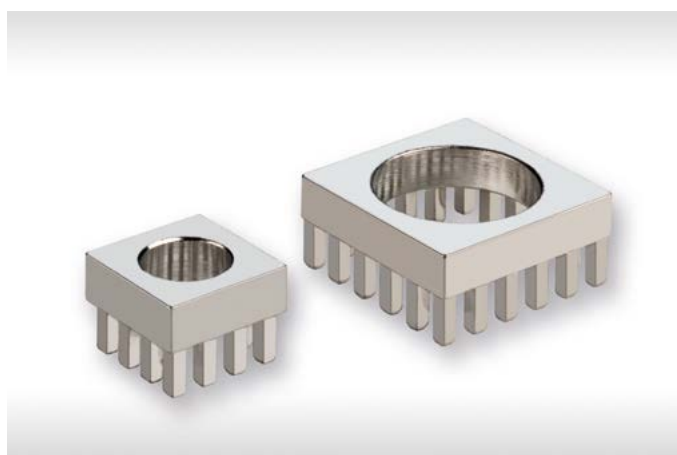
ORDERING INFORMATION

A	B	C	D	No. of Pins	Weight	Part Number
3.1	3.5	9	5.5	8	1.8	225726
3.1	3.5	13	7.3	10	3.7	225727
3.1	3.5	16	10.5	12	4.89	225728
3.1	3.5	16	9.8	12	5.18	225729

Dimension A - D in mm, Weight in g

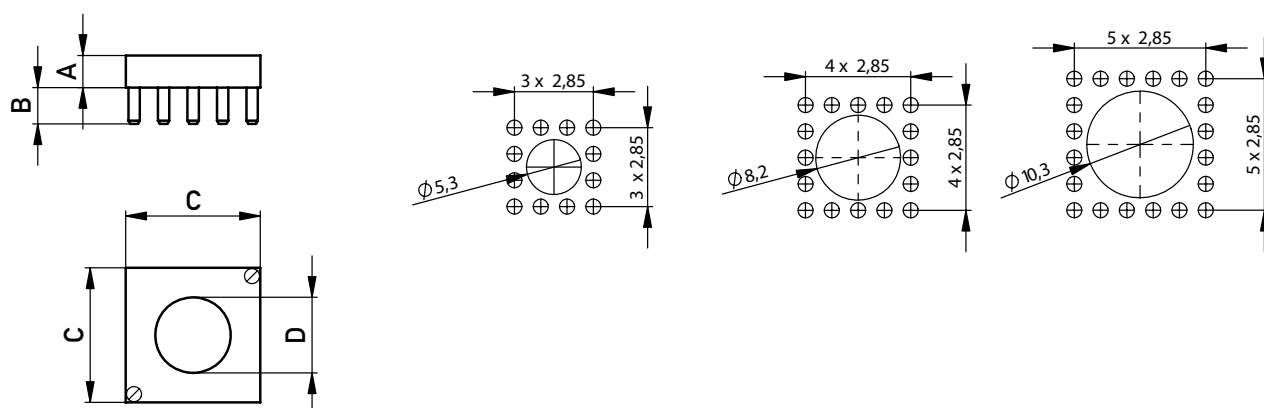
TWO-PART, BASE-PART, CIRCULAR PIN POPULATION

PRODUCT SPECIFICATION



- PCB connection for fixing cable lugs
- Fixing of large heavy components (e.g. battery disconnection switch)
- Protecting PCB from mechanical stress
- Pitch 2,85 mm

DIMENSIONAL DRAWINGS



ORDERING INFORMATION

A	B	C	D	No. of Pins	Weight	Part Number
3.1	3.5	10	6.2	12	2.27	225723
3.1	3.5	13	7.3	16	3.93	225724
3.1	3.5	16	12	20	4.49	225725

Dimension A - D in mm, Weight in g

PowerElements

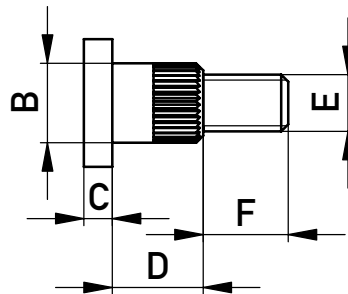
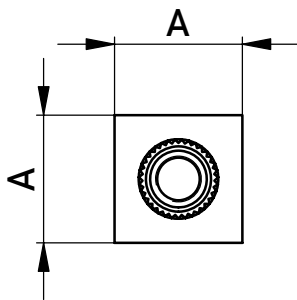
TWO-PART, MALE THREAD —

PRODUCT SPECIFICATION



- For pressing in base body
- PCB connection for fixing cable lugs
- Fixing of large heavy components
- UNC thread or customer specific modifications on demand

DIMENSIONAL DRAWINGS



PowerElements

TWO-PART, MALE THREAD

ORDERING INFORMATION

A	B	C	D	E	F	Used Base Plate	Weight	Part Number
9	5.6	2	6.4	M3	5	225726	2.91	225730
10	6.35	2	6.4	M3	6	225723	3.67	225731
9	5.6	2	6.4	M4	6	225726	3.25	225732
10	6.35	2	6.4	M4	6	225723	3.95	225733
13	7.45	2	6.4	M5	8	225724, 225727	6.43	225734
10	6.35	2	6.4	M5	9	225723	4.8	225735
13	7.45	2	6.4	M6	10	225724, 225727	7.49	225736
16	12.15	2	6.4	M8	13	225725	15.95	225737
16	10.65	2	6.4	M8	13	225728	14.51	225738
13	7.45	2	6.4	M4	8	225724, 225727	5.96	225763
16	12.15	2	6.4	M10	13	225725	19.05	225764
16	10	2	6.4	M8	13	225729	13.95	225767

Dimension A - D and F in mm, Weight in g

PowerElements

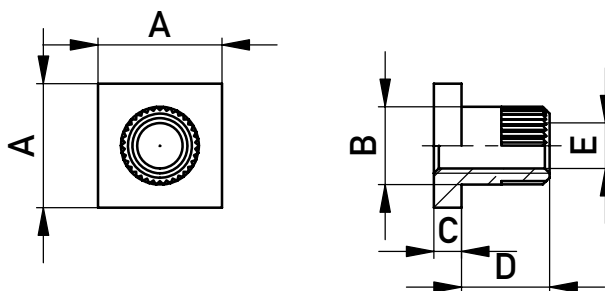
TWO-PART, FEMALE THREAD

PRODUCT SPECIFICATION



- For pressing in base body
- PCB connection for fixing cable lugs
- Fixing of large heavy components
- UNC thread or customer specific modifications on demand

DIMENSIONAL DRAWINGS



PowerElements

TWO-PART, FEMALE THREAD

ORDERING INFORMATION

A	B	C	D	E	Used Base Plate	Weight	Part Number
9	5.65	2	6.4	M3	225726	2.31	225739
10	6.35	2	6.4	M3	225723	2.98	225740
9	5.65	2	6.4	M4	225726	2.03	225741
10	6.35	2	6.4	M4	225723	2.7	225742
13	7.45	2	6.4	M4	225724, 225727	4.5	225743
10	6.35	2	6.4	M5	225723	2.32	225744
13	7.45	2	6.4	M5	225724, 225727	4.11	225745
13	7.45	2	6.4	M6	225724, 225727	3.66	225746
16	10.65	2	6.4	M8	225728	6.38	225747
16	12.15	2	6.4	M8	225725	7.79	225748
16	12.15	2	6.4	M10	225725	6.28	225750
16	10	2	6.4	M8	225729	5.82	225765

Dimension A - D in mm, Weight in g

PowerElements

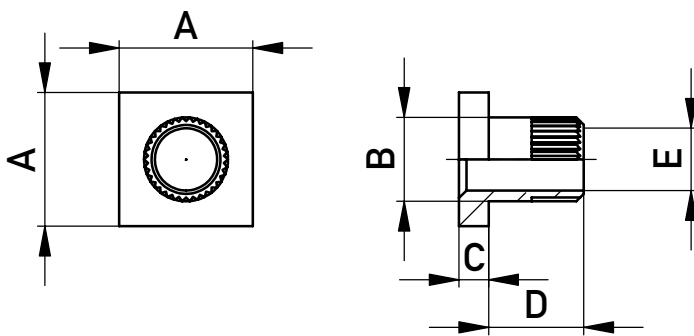
TWO-PART, FEMALE THROUGH-HOLE

PRODUCT SPECIFICATION



- For pressing in base body
- PCB connection for fixing cable lugs
- Fixing of large heavy components
- UNC thread or customer specific modifications on demand

DIMENSIONAL DRAWINGS



TWO-PART, FEMALE THROUGH-HOLE

ORDERING INFORMATION

A	B	C	D	E	Used Base Plate	Weight	Part Number
9	5.65	2	6.4	ø 3.2	225726	2.07	225751
10	6.35	2	6.4	ø 4.2	225723	2.32	225752
13	7.45	2	6.4	ø 4.2	225724, 225727	4.12	225753
9	5.65	2	6.4	ø 4.2	225726	1.65	225754
10	6.35	2	6.4	ø 5.2	225723	1.79	225755
13	7.45	2	6.4	ø 5.2	225724, 225727	3.59	225756
13	7.45	2	6.4	ø 6.2	225724, 225727	2.95	225757
16	10.65	2	6.4	ø 8.2	225728	5.23	225758
16	10	2	6.4	ø 8.2	225729	4.67	225759
16	12.15	2	6.4	ø 10.2	225725	4.6	225760
16	12.15	2	6.4	ø 8.2	225725	6.66	225761
16	10.65	2	6.4	ø 6.2	225728	6.84	225762
10	6.35	2	6.4	ø 3.2	225723	2.74	225766

Dimension A - D and F in mm, Weight in g

PowerElements

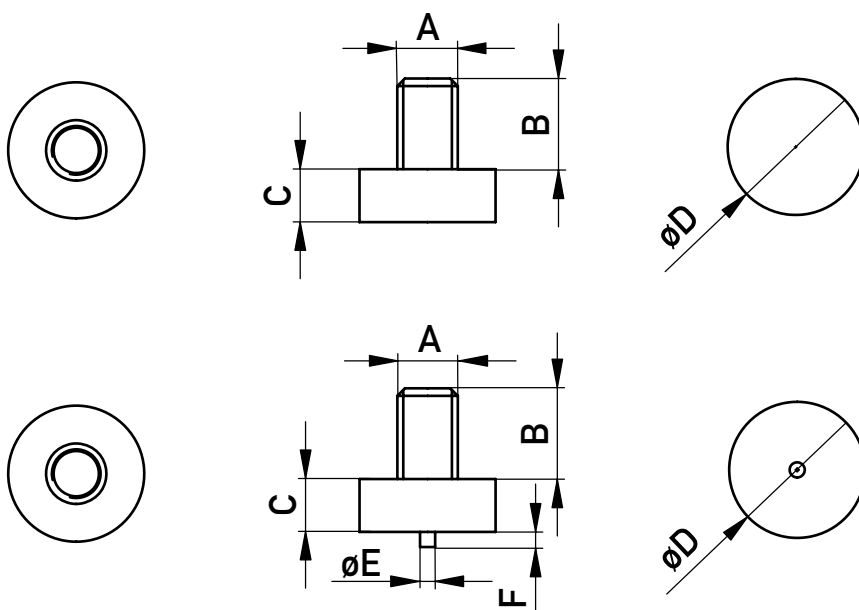
SMD, MALE THREAD

PRODUCT SPECIFICATION



- For soldering in SMT
- Available with and without peg
- Blistered for fully automated assembly
- PCB connection for fixing cable lugs
- UNC thread or customer specific modifications on demand

DIMENSIONAL DRAWINGS



PowerElements

SMD, MALE THREAD

ORDERING INFORMATION

A	B	C	D	E	F	Mounting Peg	Part Number
M3	5	3	7	–	–	no	225850
M4	6	3.5	9	–	–	no	225851
M5	8	4.5	9	–	–	no	225852
M6	10	5.5	13	–	–	no	225853
M8	13	7.5	13	–	–	no	225854
M10	16	8	16	–	–	no	225855
M3	5	3	7	1	1	yes	225862
M4	6	3.5	9	1	1	yes	225863
M5	8	4.5	9	1	1	yes	225864
M6	10	5.5	13	1	1	yes	225865
M8	13	7.5	13	1	1	yes	225866
M10	16	8	16	1	1	yes	225867

Dimension B - F in mm

PowerElements

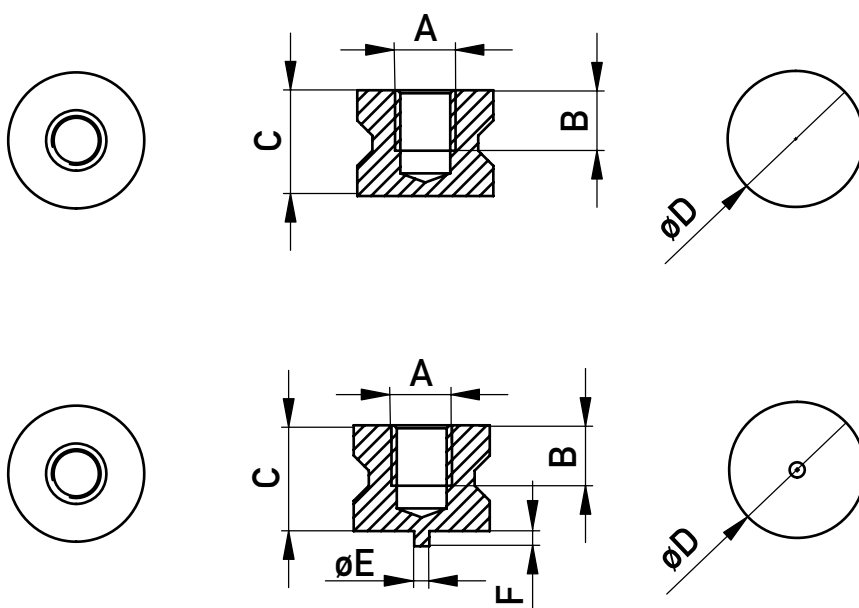
SMD, FEMALE THREAD

PRODUCT SPECIFICATION



- For soldering in SMT
- Available with and without peg
- Blistered for fully automated assembly
- PCB connection for fixing cable lugs
- UNC thread or customer specific modifications on demand

DIMENSIONAL DRAWINGS



PowerElements

SMD, FEMALE THREAD

ORDERING INFORMATION

A	B	C	D	E	F	Mounting Peg	Part Number
M3	3.5	6	7	–	–	no	225856
M4	4	7	9	–	–	no	225857
M5	4	7	9	–	–	no	225858
M6	6.5	10.5	10	–	–	no	225859
M8	8	13.5	13	–	–	no	225860
M10	11	17.5	16	–	–	no	225861
M3	3.5	6	7	1	1	yes	225868
M4	4	7	9	1	1	yes	225869
M5	4	7	9	1	1	yes	225870
M6	6.5	10.5	10	1	1	yes	225871
M8	8	13.5	13	1	1	yes	225872
M10	11	17.5	16	1	1	yes	225873

Dimension B - F in mm

PowerElements

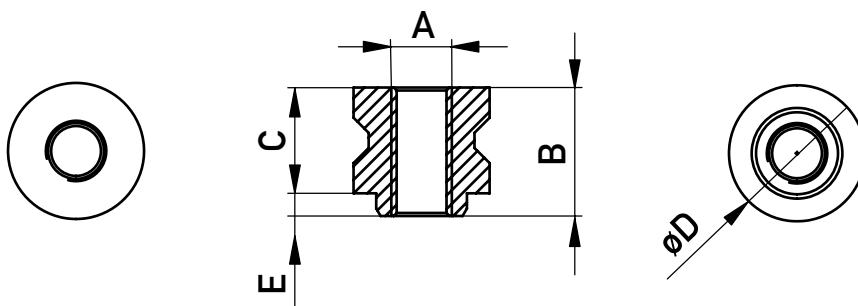
SMD, FEMALE THREAD THROUGHOUT —

PRODUCT SPECIFICATION



- For soldering in SMT
- Available with and without peg
- Blistered for fully automated assembly
- PCB connection for fixing cable lugs
- UNC thread or customer specific modifications on demand

DIMENSIONAL DRAWINGS



PowerElements

SMD, FEMALE THREAD THROUGHOUT

ORDERING INFORMATION

A	B	C	D	E	Mounting Peg	Part Number
M3	7.5	6	7	1.5	no	225874
M4	8.5	7	9	1.5	no	225875
M5	8.5	7	9	1.5	no	225876
M6	13	11.5	13	1.5	no	225877
M8	15	13.5	13	1.5	no	225878
M10	19	17.5	16	1.5	no	225879

Dimension B - E in mm

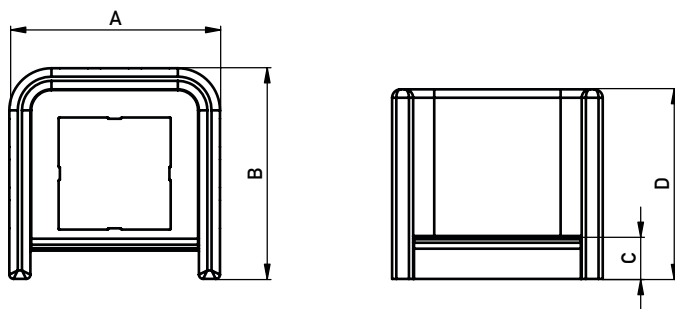
TWISTED AND CONTACT PROTECTION FOR MALE POWER ELEMENTS

PRODUCT SPECIFICATION



- For placement particularly on the PowerElement pins
- To prevent short circuits to nearby components
- As protection against contact
- Smaller distances between two power elements in layout is feasible

DIMENSIONAL DRAWINGS



ORDERING INFORMATION

A	B	C	D	Usage	Part Number
16	16	2	9.5	with Power Element 225675	225794
18	18	2.5	14.5	with Power Element 225676 and 225677	225795
25	25	5	22.5	with Power Element 225678 and 225679	225796
30	30	7	26	with Power Element 225680	225797

Dimension A - D in mm

BESTELNUMMERNVERZEICHNIS

Part Number	Page
225414	13
225415	13
225416	13
225417	13
225675	15
225676	15
225677	15
225678	15
225679	15
225680	15
225681	17
225682	17
225683	17
225684	17
225685	17
225686	17
225687	21
225688	21
225689	21
225690	21
225691	21
225692	21
225693	19
225694	19
225695	19
225696	19

Part Number	Page
225697	19
225698	19
225699	23
225700	23
225701	23
225702	23
225703	23
225704	23
225705	23
225706	23
225707	23
225708	23
225709	23
225710	23
225711	25
225712	25
225713	25
225714	25
225715	25
225716	25
225717	25
225718	25
225719	25
225720	25
225721	25
225722	25

BESTELNUMMERNVERZEICHNIS

Part Number	Page
225723	29
225724	29
225725	29
225726	27
225727	27
225728	27
225729	27
225730	31
225731	31
225732	31
225733	31
225734	31
225735	31
225736	31
225737	31
225738	31
225739	33
225740	33
225741	33
225742	33
225743	33
225744	33
225745	33
225746	33
225747	33
225748	33

Part Number	Page
225750	33
225751	35
225752	35
225753	35
225754	35
225755	35
225756	35
225757	35
225758	35
225759	35
225760	35
225761	35
225762	35
225763	31
225764	31
225765	33
225766	35
225767	31
225777	15
225784	23
225794	43
225795	43
225796	43
225797	43
225850	37
225851	37



PowerElements

BESTELNUMMERNVERZEICHNIS

Part Number	Page
225852	37
225853	37
225854	37
225855	37
225856	39
225857	39
225858	39
225859	39
225860	39
225861	39
225862	37
225863	37
225864	37
225865	37

Part Number	Page
225866	37
225867	37
225868	39
225869	39
225870	39
225871	39
225872	39
225873	39
225874	41
225875	41
225876	41
225877	41
225878	41
225879	41

ERNI Electronics GmbH & Co. KG

Seestrasse 9
73099 Adelberg
Germany
Tel +49 7166 50-0
Fax +49 7166 50-282
info@erni.com
www.erni.com

Europe South America Africa Japan

ERNI Electronics, Inc.

2201 Westwood Ave
Richmond, VA 23230/USA
Tel +1 804 228-4100
Fax +1 804 228-4099
info@erni.us

North America Canada Mexico

ERNI Asia Holding Pte Ltd.

Blk 4008 Ang Mo Kio Avenue 10
#04-01/02 Techplace I
Singapore 569625
Tel +65 6 555 5885
Fax +65 6 555 5995
info@erni-asia.com

Asia Australia New Zealand

© ERNI Electronics GmbH & Co. KG 2014 • Printed in Germany • A policy of continuous improvement is followed and the right to alter any published data without notice is reserved.

ERNI[®], ERNI WoR&D[®], Act. Connect. Perfect[®], MicroCon[®], MicroStac[®], MicroSpeed[®], MiniBridge[®], MiniMez[®], MaxiBridge[®], ERmet[®], ERmet ZD[®], ERmet ZDplus[®], ERmet ZD HD[®], ERbic[®], ERNIPRESS[®], INTERact[®], BLUEcontact[®] and WHITESpeed[®] are trademarks (registered or applied for in various countries) of ERNI Electronics GmbH & Co. KG.