

KBP2005G-G Thru. KBP210G-G

Reverse Voltage: 50 to 1000V

Forward Current: 2.0 Amp

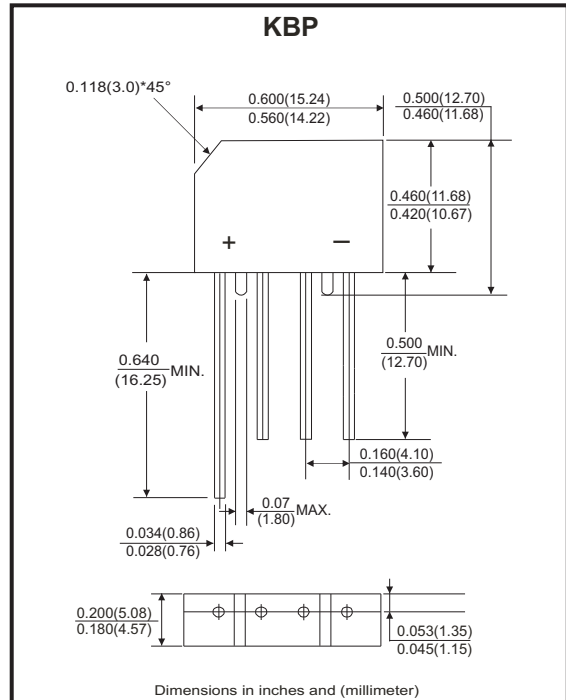
RoHS Device

Features

- Surge overload rating -60 amperes peak.
- Ideal for printed circuit board.
- UL recognized file # E349301

Mechanical Data

- Case: Molded plastic body over passivated junctions.
- Epoxy: UL 94V-0 rate flame retardant.
- Polarity: Polarity symbols marked on case.
- Mounting position: Any



Maximum ratings and electrical characteristics

Rating at 25°C ambient temperature unless otherwise specified.
 Single phase, half wave, 60Hz, resistive or inductive load.
 For capacitive load, derate current by 20%

| Parameter | Symbol | KBP 2005G-G | KBP 201G-G | KBP 202G-G | KBP 204G-G | KBP 206G-G | KBP 208G-G | KBP 210G-G | Unit |
|--|------------|-------------|------------|------------|------------|------------|------------|------------|------------|
| Maximum Recurrent Peak Reverse Voltage | V_{RRM} | 50 | 100 | 200 | 400 | 600 | 800 | 1000 | V |
| Maximum RMS Bridge Input Voltage | V_{RMS} | 35 | 70 | 140 | 280 | 420 | 560 | 700 | V |
| Maximum DC Blocking Voltage | V_{DC} | 50 | 100 | 200 | 400 | 600 | 800 | 1000 | V |
| Maximum Average Forward Rectified Output Current @ $T_A=50^\circ C$ | $I_{(AV)}$ | 2.0 | | | | | | | A |
| Peak Forward Surge Current, 8.3ms Single Half Sine-Wave Super Imposed On Rated Load | I_{FSM} | 60 | | | | | | | A |
| Maximum Forward Voltage Drop Per Bridge Element at 2.0A Peak | V_F | 1.1 | | | | | | | V |
| Maximum Reverse Current at Rated DC Blocking Voltage Per Element | I_R | 10.0 | | | | | | | μA |
| Maximum Reverse Current at Rated DC Blocking Voltage Per Element @ $T_J=100^\circ C$ | I_R | 1.0 | | | | | | | mA |
| Operating Temperature Range | T_J | -55 to +150 | | | | | | | $^\circ C$ |
| Storage Temperature Range | T_{STG} | -55 to +150 | | | | | | | $^\circ C$ |

Company reserves the right to improve product design, functions and reliability without notice.

REV: C

Rating and Characteristics Curves (KBP2005G-G Thru. KBP210G-G)

Fig.1 - Derating Curve Output Rectified Current

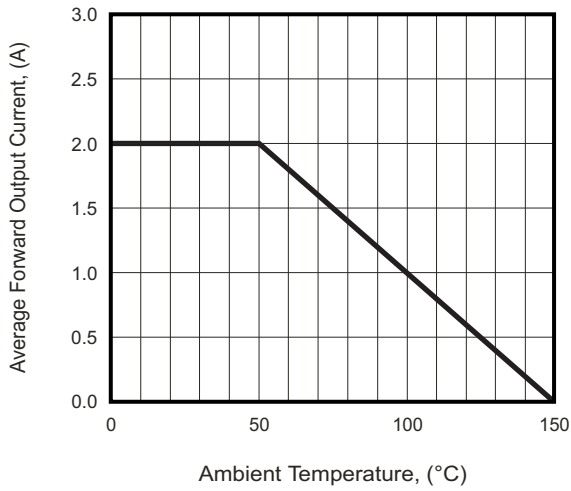


Fig.2 - Max. Forward Surge Current

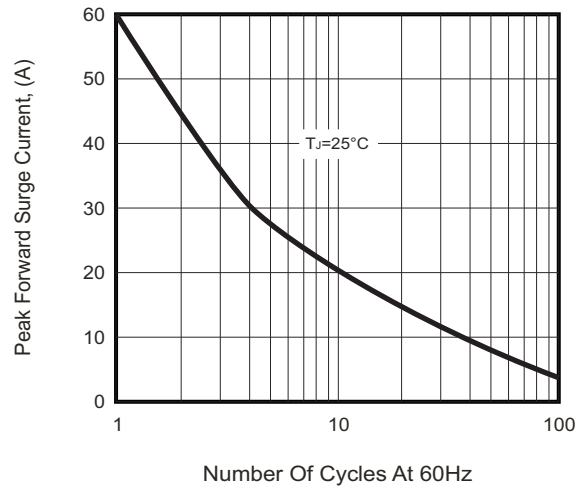


Fig.3 - Typical Forward Characteristics

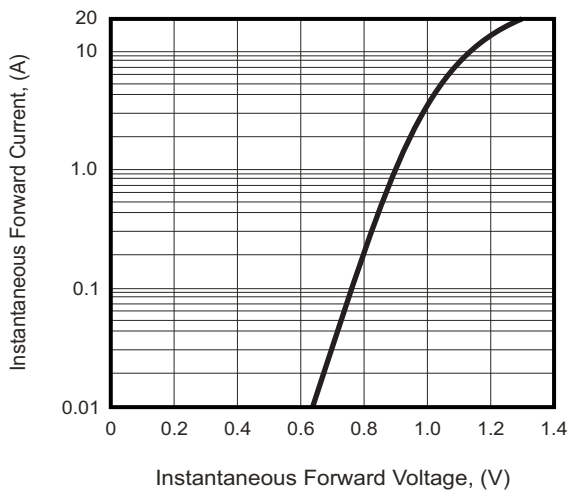
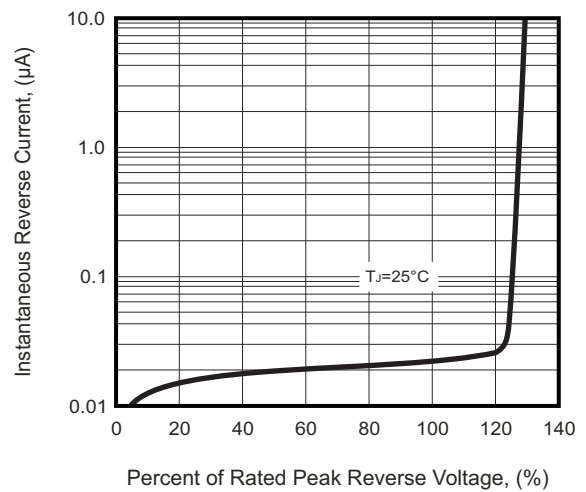
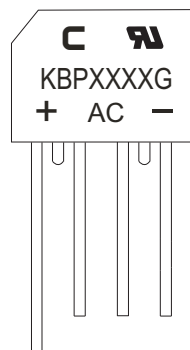


Fig.4 - Typical Reverse Characteristics



Marking Code

| Part Number | Marking code |
|-------------|--------------|
| KBP2005G-G | KBP2005G |
| KBP201G-G | KBP201G |
| KBP202G-G | KBP202G |
| KBP204G-G | KBP204G |
| KBP206G-G | KBP206G |
| KBP208G-G | KBP208G |
| KBP210G-G | KBP210G |



XXX / XXXX = Product type marking code

C = Compchip Logo

Standard Packaging

| Case Type | BULK PACK | |
|-----------|-------------|----------------|
| | BOX (pcs) | CARTON (pcs) |
| KBP | 500 | 5,000 |

| Case Type | TUBE PACK | |
|-----------|--------------|-------------|
| | TUBE (pcs) | BOX (pcs) |
| KBP | 30 | 1,200 |

Mouser Electronics

Authorized Distributor

Click to View Pricing, Inventory, Delivery & Lifecycle Information:

[Comchip Technology:](#)

[KBP201G-G](#)