

DIALIGHT PART NUMBER	LED COLOR	DIM "A"	DIM "B"	DIM "C"	DIM "D"	OPERATING CHARACTERISTICS AT 25°C AMBIENT									
						LUMINOUS INTENSITY TEST CONDITION	LUMINOUS INTENSITY (mcd)			FORWARD VOLTAGE / CURRENT TEST COND		REVERSE CURRENT (μA)	PEAK WAVELENGTH (nm)	VIEWING ANGLE (DEG)	
							MIN	TYP	MAX	TYP	MAX				
551-0207F	GREEN DIFFUSED	.095	.018 x .016	.118±.008	.040	IF = 10mA	5.6	12.6	29	IF = 10mA	2.1 V	2.6 V	100	565	60
551-0307F	YELLOW DIFFUSED	.095	.018 x .016	.118±.008	.040	IF = 10mA	3.7	8.7	30	IF = 10mA	2.1 V	2.6 V	100	585	60
551-0407F	RED DIFFUSED	.095	.018 x .016	.118±.008	.040	IF = 10mA	2.5	8.7	18	IF = 10mA	2.0 V	2.6 V	100	635	60
551-0507F	RED DIFFUSED	.095	.018 x .016	.118±.010	.040	Vf = 5V	8.7	29	—	Vf = 5V	10 mA	20 mA	100	635	60
551-0607F	GREEN DIFFUSED	.095	.018 x .016	.118±.010	.040	Vf = 5V	5.6	19	—	Vf = 5V	10 mA	20 mA	100	565	60
551-0707F	YELLOW DIFFUSED	.095	.018 x .016	.118±.010	.040	Vf = 5V	3.7	12.6	—	Vf = 5V	10 mA	20 mA	100	585	60
551-0807F	BLUE NON-TINTED DIFF	.095	.018 x .016	.118±.010	.040	IF = 10mA	30	—	85	IF = 10mA	3.2 V	3.8 V	100	468	100
551-1107F	RED DIFFUSED	.095	.018 x .016	.118±.010	.040	IF = 2mA	1.0	1.6	—	IF = 2mA	1.7 V	2.2 V	10	635	60
551-1207F	YELLOW DIFFUSED	.095	.018 x .016	.118±.010	.040	IF = 2mA	1.0	1.6	—	IF = 2mA	1.8 V	2.7 V	10	585	60
551-1307F	GREEN DIFFUSED	.095	.018 x .016	.118±.010	.040	IF = 2mA	1.0	1.6	—	IF = 2mA	1.9 V	2.2 V	10	565	60
551-1407F	AlGaAs RED WC	.095	.018 SQ.	.115±.010	.040	IF = 1mA	2	3	—	IF = 1mA	1.6 V	1.8 V	100	645	45
551-1507F	GREEN TINTED NON-DIFF	.095	.018 x .016	.118±.010	.040	IF = 10mA	32	50	—	IF = 20mA	2.1 V	2.8 V	100	565	45
551-1607F	YELLOW TINTED NON-DIFF	.095	.018 x .016	.118±.010	.040	IF = 10mA	10	—	50	IF = 20mA	2.1 V	2.8 V	100	585	45
551-1707F	RED TINTED NON-DIFF	.095	.018 x .016	.118±.010	.040	IF = 10mA	8.7	29	—	IF = 20mA	2.0 V	2.8 V	100	635	45
551-2507F	ORANGE DIFFUSED	.095	.018 SQ.	.115±.010	.040	IF = 10mA	6.0	9.5	16	IF = 10mA	1.9 V	2.4 V	100	600	60
551-5807F	AlInGaP YELLOW WC	.095	.018 x .016	.118±.010	.040	IF = 20mA	180	320	—	IF = 20mA	2.0 V	2.4 V	100	588	56
551-5907F	InGaN GREEN WC	.101	.020 SQ.	.110±.004	.043	IF = 10mA	140	270	400	IF = 10mA	2.5 V	3.0 V	10	518	100
551-6007F	InGaN WHITE	.095	.018 x .016	.118±.010	.040	IF = 20mA	400	1100	1900	IF = 20mA	3.5 V	4.0 V	100	—	—
551-6107F	InGaN BLUE WC	.095	.018 SQ.	.115±.010	.040	IF = 20mA	310	520	880	IF = 20mA	3.3 V	3.8 V	100	468	45

REV	ECN NO	REVISIONS	DRN	CKD	APP	DATE
A	—	NEW RELEASE	TWC	TC	NO	9-22-05
B	—	ADDED P/N 551-2507F	TWC	MES	NO	11-2-05
C	—	ADDED P/N'S 551-5807F, -5907F, -6107F; ADDED LED SCHEMATIC; ADDED NOTES 1, 2, AND 3; ADDED METRIC DIMS, UPDATED SPECS.	KLJ	MES	NO	12-4-08
D	—	UPDATED 551-0807F SPECS	AJF	KLJ	NO	7-28-11
E	—	UPDATE 5510807F AND 5512507F SPECS	JTD	MES	NO	2-21-14
F	—	ADDED 551-6007F & C.COORD.	VP	WFB	NO	7-8-15
G	—	UPDATED DIMENSIONS A,B,C & D FOR P/N 551-0207F/0307F/0407F. ALSO UPDATED LED SPECS FOR THE SAME P/N'S	BP	—	NO	5-23-17

NOTES:

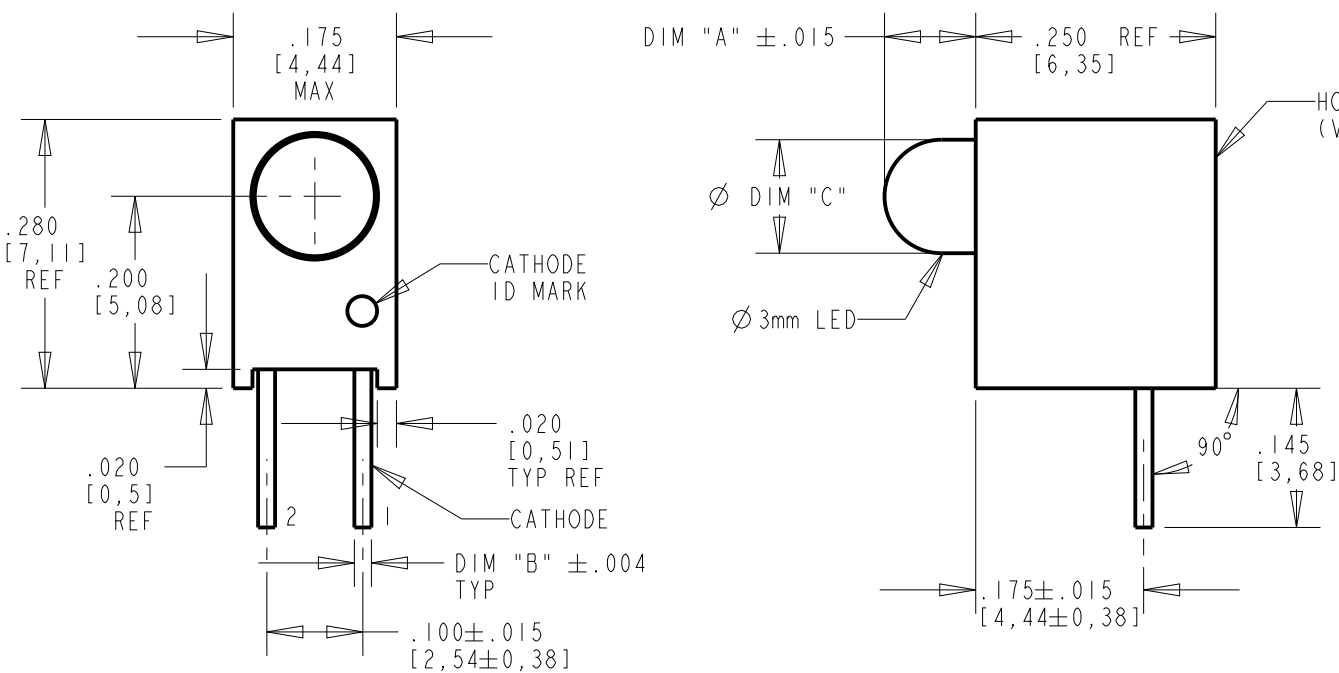
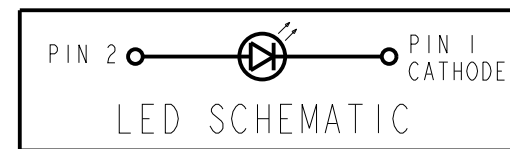
- LED LEAD DIMENSIONS SHOWN ARE MEASURED AT HOUSING EXIT.
- LEADS TO FIT INTO HOLES SPACED AS PER PATTERN.
- PIN NUMBERS FOR REFERENCE ONLY, DESIGNATION NON-EXISTENT ON PART.
- DIALIGHT PART NUMBERS: 551-XX07F.
- THIS ASSEMBLY CONTAINS ELECTROSTATIC DISCHARGE SENSITIVE DEVICES (ESDS). MAINTAIN ALL PRECAUTIONARY MEASURES DURING ASSEMBLY, HANDLING, AND STORAGE IN ACCORDANCE WITH IPC-A-610.

PART NUMBER	ABSOLUTE MAXIMUM RATINGS AT 25°C AMBIENT								
	POWER DISSIPATION	DC FORWARD VOLTAGE	CONT. FWD CURRENT	PEAK FWD CURRENT	LINEAR DERATION	REVERSE VOLTAGE	SOLDERING TEMP FOR 5 SEC.	OPERATING TEMPERATURE	STORAGE TEMPERATURE
551-0207F	120 mW	—	30 mA	90 mA	0.4 mA/°C FROM 50°C	5 V	260 °C	-55°C /+100 °C	-55°C /+100 °C
551-0307F	60 mW	—	20 mA	60 mA	0.25 mA/°C FROM 50°C	5 V	260 °C	-55°C /+100 °C	-55°C /+100 °C
551-0407F	100 mW	—	30 mA	90 mA	0.4 mA/°C FROM 50°C	5 V	260 °C	-55°C /+100 °C	-55°C /+100 °C
551-0507F	—	7.5 V	—	—	0.086 V/°C FROM 50°C	5 V	260 °C	-40°C /+85 °C	-55°C /+100°C
551-0607F	—	7.5 V	—	—	0.086 V/°C FROM 50°C	5 V	260 °C	-40°C /+85 °C	-55°C /+100°C
551-0707F	—	7.5 V	—	—	0.086 V/°C FROM 50°C	5 V	260 °C	-40°C /+85 °C	-55°C /+100°C
551-0807F	120 mW	—	30 mA	—	0.50 mA/°C FROM 30°C	5 V	260 °C	-40°C /+85°C	-45°C /+100°C
551-1107F	20 mW	—	7 mA	—	0.7 mA/°C FROM 90°C	5 V	260 °C	-55°C /+100°C	-55°C /+100°C
551-1207F	20 mW	—	7 mA	—	0.7 mA/°C FROM 90°C	5 V	260 °C	-55°C /+100°C	-55°C /+100°C
551-1307F	20 mW	—	7 mA	—	0.7 mA/°C FROM 90°C	5 V	260 °C	-55°C /+100°C	-55°C /+100°C
551-1407F	87 mW	—	30 mA	—	0.5 mA/°C FROM 50°C	5 V	260 °C	-20°C /+100°C	-55°C /+100°C
551-1507F	100 mW	—	30 mA	120 mA	0.4 mA/°C FROM 50°C	5 V	260 °C	-55°C /+100°C	-55°C /+100°C
551-1607F	60 mW	—	20 mA	80 mA	0.25 mA/°C FROM 50°C	5 V	260 °C	-55°C /+100°C	-55°C /+100°C
551-1707F	100 mW	—	30 mA	120 mA	0.4 mA/°C FROM 50°C	5 V	260 °C	-55°C /+100°C	-55°C /+100°C
551-2507F	135 mW	—	25 mA	90 mA	0.5 mA/°C FROM 50°C	5 V	260 °C	-55°C /+100°C	-55°C /+100°C
551-5807F	75 mW	—	30 mA	60 mA	0.4 mA/°C FROM 70°C	5 V	260 °C	-40°C /+100°C	-55°C /+100°C
551-5907F	120 mW	—	30 mA	100 mA	—	5 V	260 °C	-40°C /+85°C	-55°C /+100°C
551-6007F	120 mW	—	30 mA	100 mA	—	5 V	260 °C	-40°C /+80 °C	-40°C /+100°C
551-6107F	120 mW	—	30 mA	100 mA	—	5 V	260 °C	-40°C /+85°C	-35°C /+85°C



HUE BIN	CHROMATICITY COORDINATES FOR WHITE WATER CLEAR I <sub>F</sub> = 20 mA				
A3	X	0.270	0.270	0.250	0.250
	Y	0.275	0.325	0.300	0.250
A4	X	0.270	0.250	0.250	0.270
	Y	0.275	0.250	0.200	0.225
B3	X	0.290	0.290	0.270	0.270
	Y	0.300	0.350	0.325	0.275
B4	X	0.290	0.270	0.270	0.290
	Y	0.300	0.275	0.225	0.250
C3	X	0.310	0.310	0.290	0.290
	Y	0.325	0.375	0.350	0.300
C4	X	0.310	0.290	0.290	0.310
	Y	0.325	0.300	0.250	0.275
D3	X	0.330	0.330	0.310	0.310
	Y	0.350	0.400	0.375	0.325
D4	X	0.330	0.310	0.310	0.330
	Y	0.350	0.325	0.275	0.300

COLOR COORDINATES MEASUREMENT ALLOWANCE ± 0.01



RECOMMENDED P.C.B. HOLE PATTERN

RoHS COMPLIANT 551-XX07F

Part Numbers with the "F" suffix ending are RoHS Compliant. For example: 551-0207F. Packaging is marked with "RoHS Compliant" label or equivalent markings. Parts can be wave soldered, dip soldered or hand soldered using typical lead-free soldering process with max 260°C temp. for 5 sec.

THIS DRAWING AND THE CONTENTS HEREIN ARE CONFIDENTIAL AND THE SOLE PROPERTY OF DIALIGHT CORP. REPRODUCTION OF THIS DRAWING OR CONSTRUCTION OF ANY PARTS WITHIN THIS DRAWING ARE FORBIDDEN WITHOUT THE WRITTEN CONSENT OF DIALIGHT CORP.

SCALE: DRAWING SCALE	DRAWING NUMBER	REV
ALL DIM'S: INCH (mm)	C-17306	G
TOLERANCES: UNLESS OTHERWISE SPECIFIED	TITLE 3mm CBI, .200 LED CENTERLINE RoHS COMPLIANT	
FRACTIONS: ±1/64	MATERIAL	
DECIMALS (.XX): ±.02	FINISH	
DECIMALS (.XXX): ±.010	FSCM 83330	
ANGLES: ±3°	SHEET 1 OF 1 FAMILY TABLE:	
FINISH		
	1501 ROUTE 34 SOUTH FARMINGDALE, NJ 07727 (732) 919-3119 www.dialight.com	