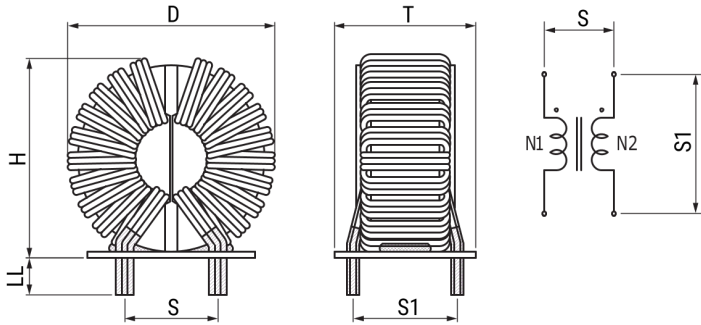


## SCR47-350-1R6C016J

Aliases (UALBG1R6C016J0)

KEMET, SCR47, AC Line Filters, Common Mode, 1.6 mH



Click [here](#) for the 3D model.

### Dimensions

D	61mm MAX
T	39mm MAX
H	59mm MAX
LL	10mm +/-5mm
S	25mm NOM
S1	28mm NOM
Wire Size	1.6mm x 3P

### Packaging Specifications

Packaging	Tray
Packaging Quantity	36
Component Weight	200 g

### General Information

Series	SCR47
Style	Through-Hole
RoHS	Yes
Notes	Lead Spacing (S/S1) Are For Reference Only.
Miscellaneous	Temperature Rise Maximum: 70 K.
Core	Mn-Zn Ferrite

### Specifications

Voltage AC	250 VAC
Inductance	1.6 mH
Current	35 A
Temperature Range	-25/+120°C
DC Resistance	3.5 mOhms