



Certifications & Ratings

- RoHS compliant

Application

The 606 Series LED Panel Mount Indicators are designed for a variety of applications such as:

- Main power indication
 - Remote power indication
 - Status indication
 - Maintenance and warning indication
 - Instrumentation
- ... and many more!

Dimensions

inches [mm]

Figure 1

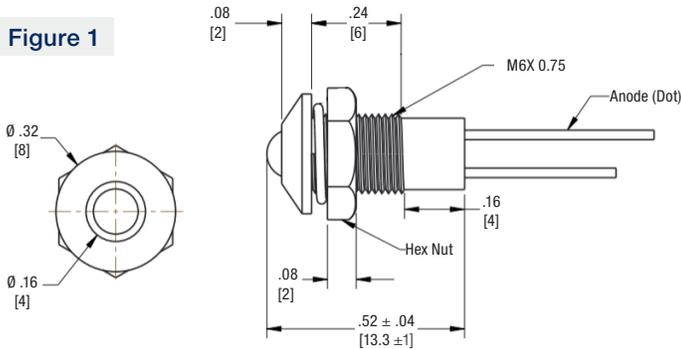


Figure 2

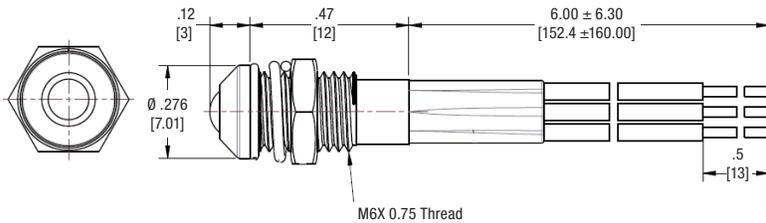
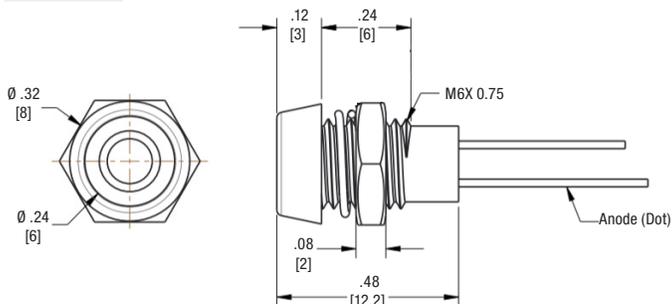


Figure 3



Mechanical Information

Mounting Hole Size: 0.244" (6.2 mm)

Max Panel Thickness: 0.138" (3.5 mm)

Mounting Torque: 0.362 lbs/ft (5 kg/cm) torque

Specifications

Voltage Options: 2 and 3 VDC (resistor required)
6 and 12 VDC / bi-color (no resistor required)

Operating temp: -25 °C to +85 °C (-13 °F to +185 °F)

Storage Temp: -25 °C to +100 °C (-13 °F to +212 °F)

Electrical Connection: Through hole and 26 AWG wire leads (bi-color only)

Housing: Brass—Chrome Plated

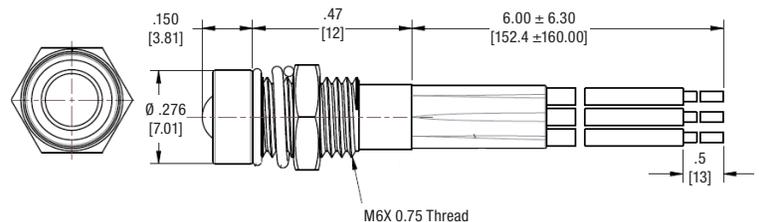
Terminals: Copper—Nickel Plated

Wire Leads: 6" on bi-color only

Lock washer: Iron—Nickel Plated

Nut: Brass—Nickel Plated

Figure 4



Ordering Information 606 Series

Part Number	Color	Voltage (VDC)	Current (mA)	Typical Intensity* (mcd)	LED Position	Finish	Figure		
606-1111-110F	● Red	2	5	45	Protruding	Chrome	1		
606-1211-110F	● Green	3	15	70					
606-1311-110F	● Yellow	2		60					
606-1215-110F	● Green	3		70					
606-1415-110F	● Red/Green	3	10	40/50			Recess	Chrome	2
606-1415-120F	● Red/Green	6		40/50					
606-1415-130F	● Red/Green	12		40/50					
606-2111-110F	● Red	2	5	45					Recess
606-2211-110F	● Green	3	15	70					
606-2311-110F	● Yellow	2		60					
606-2415-110F	● Red/Green	3	10	40/50	Recess	Chrome	4		
606-2415-120F	● Red/Green	6		40/50					
606-2415-130F	● Red/Green	12		40/50					

*Bi-color intensity (Red/Green)

Dialight reserves the right to make changes at any time in order to supply the best product possible. The most current version of this document will always be available at: www.dialightsignalsandcomponents.com

Warranty Statement: Except for the warranty expressly provided for [herein/above/below], Dialight disclaims any and all other warranties, express or implied, including, without limitation, any warranties of merchantability, fitness for a particular purpose, title, and noninfringement.