

# TCP 6A - Thermal device circuit breaker



0712275

<https://www.phoenixcontact.com/us/products/0712275>

Please be informed that the data shown in this PDF document is generated from our online catalog. Please find the complete data in the user documentation. Our general terms of use for downloads are valid.



Thermal miniature circuit breaker, pluggable in screw-type fuse terminal block UK 6-FSI/C and spring-cage fuse terminal block ST 4-FSI/C

## Your advantages

- Fast, replacement part-free recommissioning after an event with the reconnection options
- Easy to retrofit in existing systems with vehicle flat-type fuses with identical pin connector pattern
- System disconnection for maintenance actions via the integrated device switch

## Commercial data

Item number	0712275
Packing unit	1 pc
Sales key	CL15
Product key	CLA111
Catalog page	Page 401 (C-4-2019)
GTIN	4017918848392
Weight per piece (including packing)	10.87 g
Weight per piece (excluding packing)	10.809 g
Customs tariff number	85362010
Country of origin	ID

# TCP 6A - Thermal device circuit breaker



0712275

<https://www.phoenixcontact.com/us/products/0712275>

## Technical data

### Notes

General	When mounted in rows, the nominal device current can be limited to just 80% or must be oversized accordingly.
---------	---------------------------------------------------------------------------------------------------------------

### Product properties

Product type	Thermal device circuit breakers
Type	Male
Number of positions	1
No. of channels	1

### Insulation characteristics

Overvoltage category	II
Degree of pollution	2

### Electrical properties

Fuse type	Automatic device
Maximum power dissipation for nominal condition	$\leq 0.9$ VA
Fuse	Slow-blow

### General

Rated voltage	250 V AC
	65 V DC
	250 V AC (AC according to UL 1077)
	72 V DC (DC according to UL 1077)
Rated current $I_N$	6 A
Rated surge voltage	2.5 kV
Insulation resistance $R_{ISO}$	$> 100$ M $\Omega$ (500 V DC)
Tripping method	T (thermal)
Device resistance	0.05 $\Omega$
Rated short-circuit switching capacity $I_{cn}$	48 A (250 V AC / 65 V DC)
	60 A (30 V DC)
Short-circuit switching capacity	2000 A (250 V AC / UL 1077)
	2000 A (72 V DC / UL 1077)
Dielectric strength	3000 V AC (Actuation area)
	1500 V AC (Installation area)
Switching cycles, max.	6000 (At $1 \times I_n$ , low-induction)
	3000 (At $1 \times I_n$ , inductive)
	500 (At $2 \times I_n$ , inductive)

### Connection data

Nominal current	6 A
Nominal voltage	250 V AC
	65 V DC

# TCP 6A - Thermal device circuit breaker

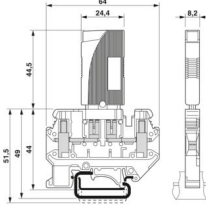


0712275

<https://www.phoenixcontact.com/us/products/0712275>

Connection method	pluggable
-------------------	-----------

## Dimensions

Dimensional drawing	
Width	8.2 mm
Height	24.4 mm
Height NS 35/7,5	55 mm
Depth	44.5 mm

## Material specifications

Color	black (RAL 9005)
Flammability rating according to UL 94	V-0
Insulating material group	IIIb
Insulating material	PPS

## Mechanical properties

Mechanical data	
Open side panel	No

## Environmental and real-life conditions

Ambient conditions	
Degree of protection	IP40 (Actuation area)
Ambient temperature (operation)	-20 °C ... 60 °C
Altitude	≤ 4000 m (amsl)
Humidity test	240 h, 95 % RH, 40 °C

## Standards and regulations

Standards/specifications	EN 60934
--------------------------	----------

## Mounting

Mounting type	on base element
---------------	-----------------

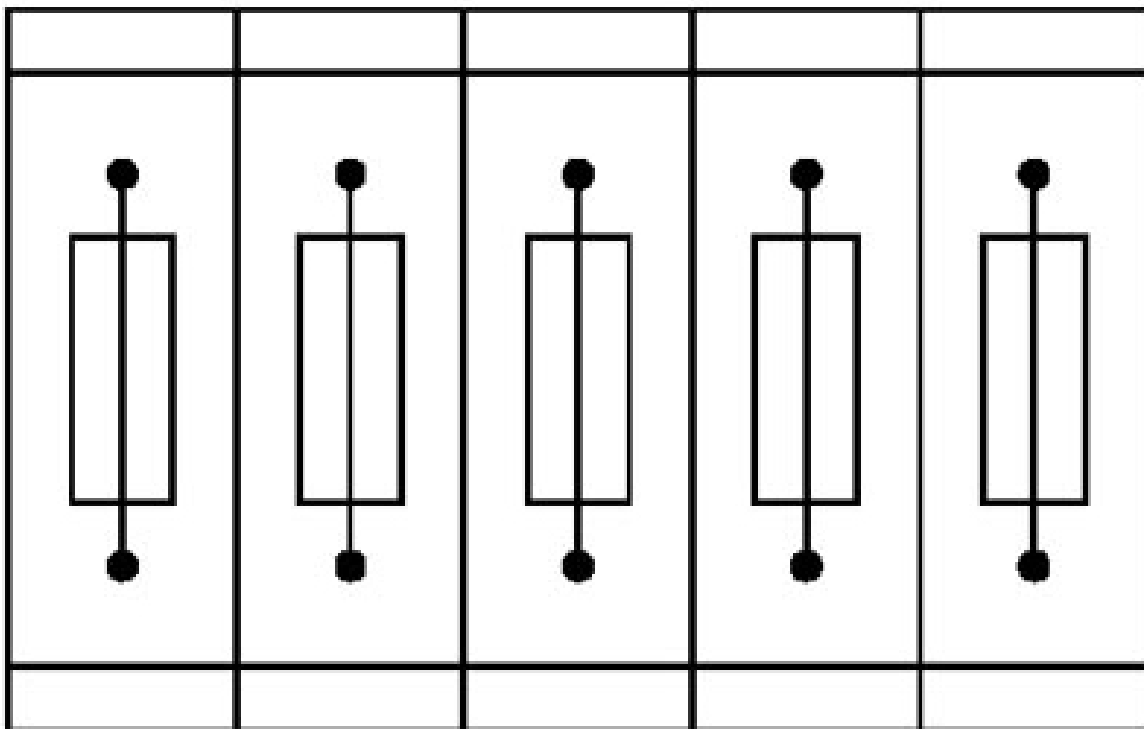
# TCP 6A - Thermal device circuit breaker

0712275

<https://www.phoenixcontact.com/us/products/0712275>

## Drawings

### Application drawing



Fuse terminal blocks in interconnected arrangement,  
block consisting of 5 fuse terminal blocks

# TCP 6A - Thermal device circuit breaker

0712275

<https://www.phoenixcontact.com/us/products/0712275>

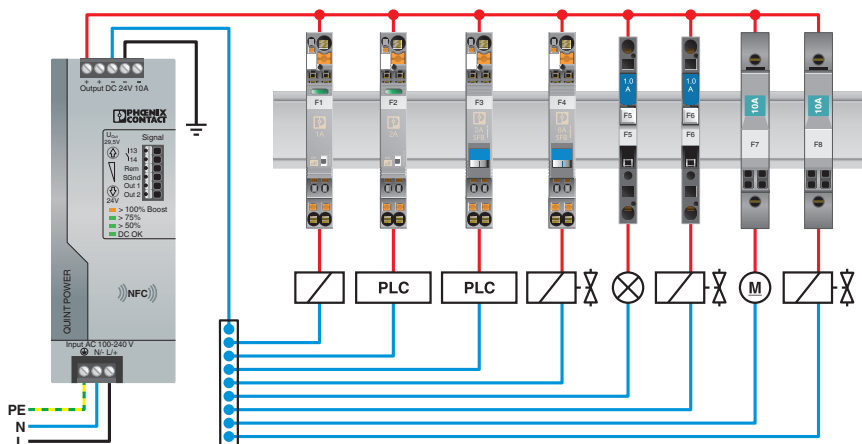


Product drawing



The figure shows the product with the base element PT 6-FSI/C-LED 24 (Item No.: 3212172).

Application drawing

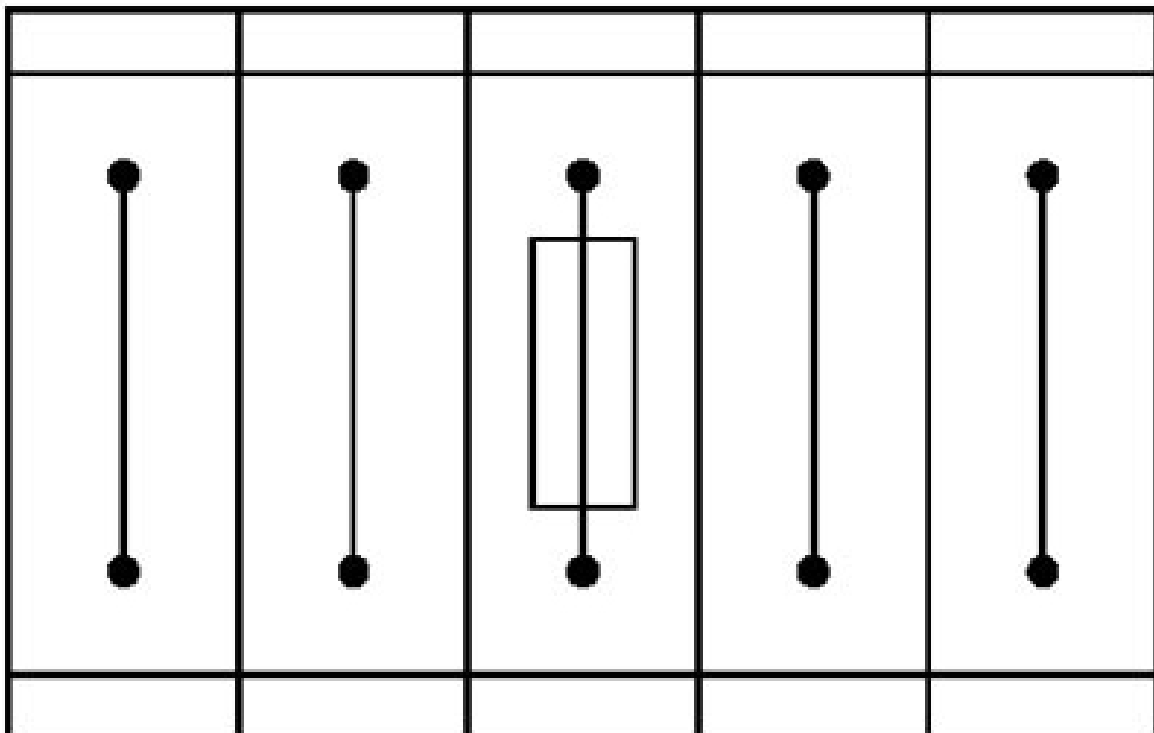


# TCP 6A - Thermal device circuit breaker

0712275

<https://www.phoenixcontact.com/us/products/0712275>

Application drawing



Fuse terminal block in single arrangement,  
block consisting of one fuse terminal block and 4 feed-through terminal blocks

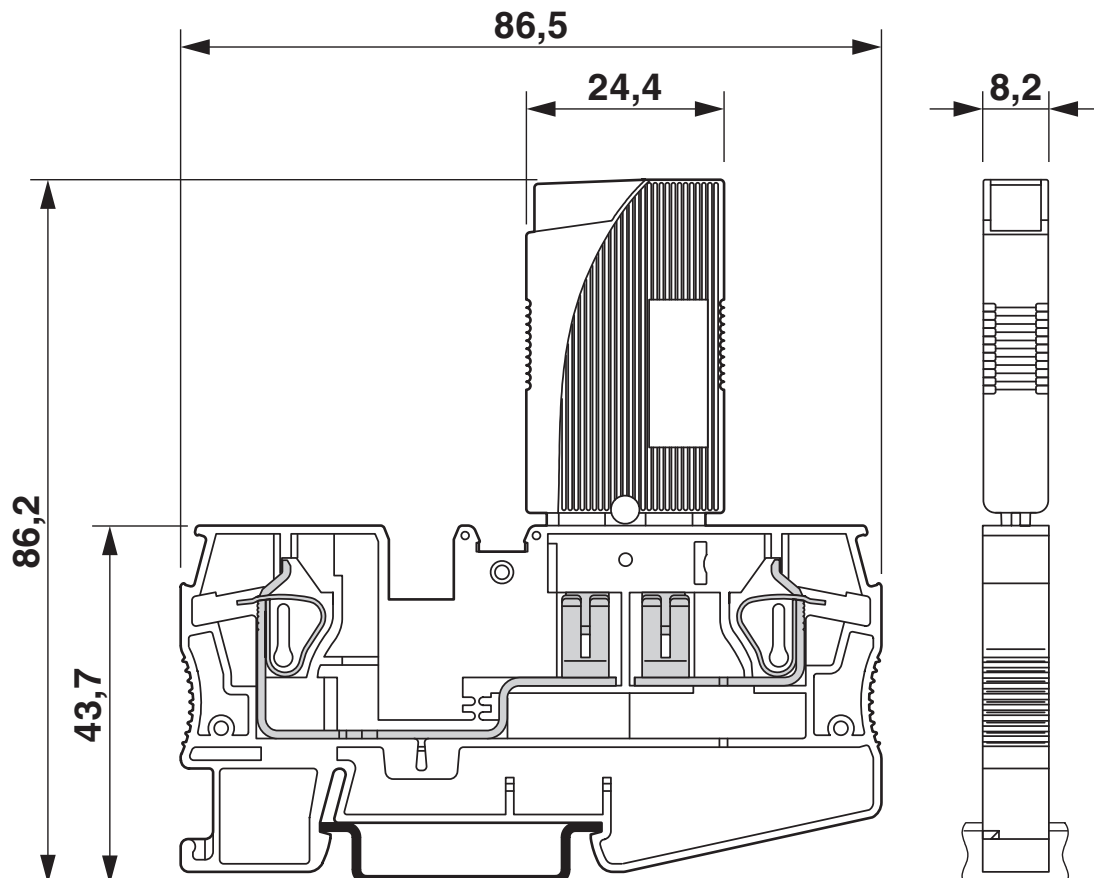
# TCP 6A - Thermal device circuit breaker

0712275

<https://www.phoenixcontact.com/us/products/0712275>



Dimensional drawing

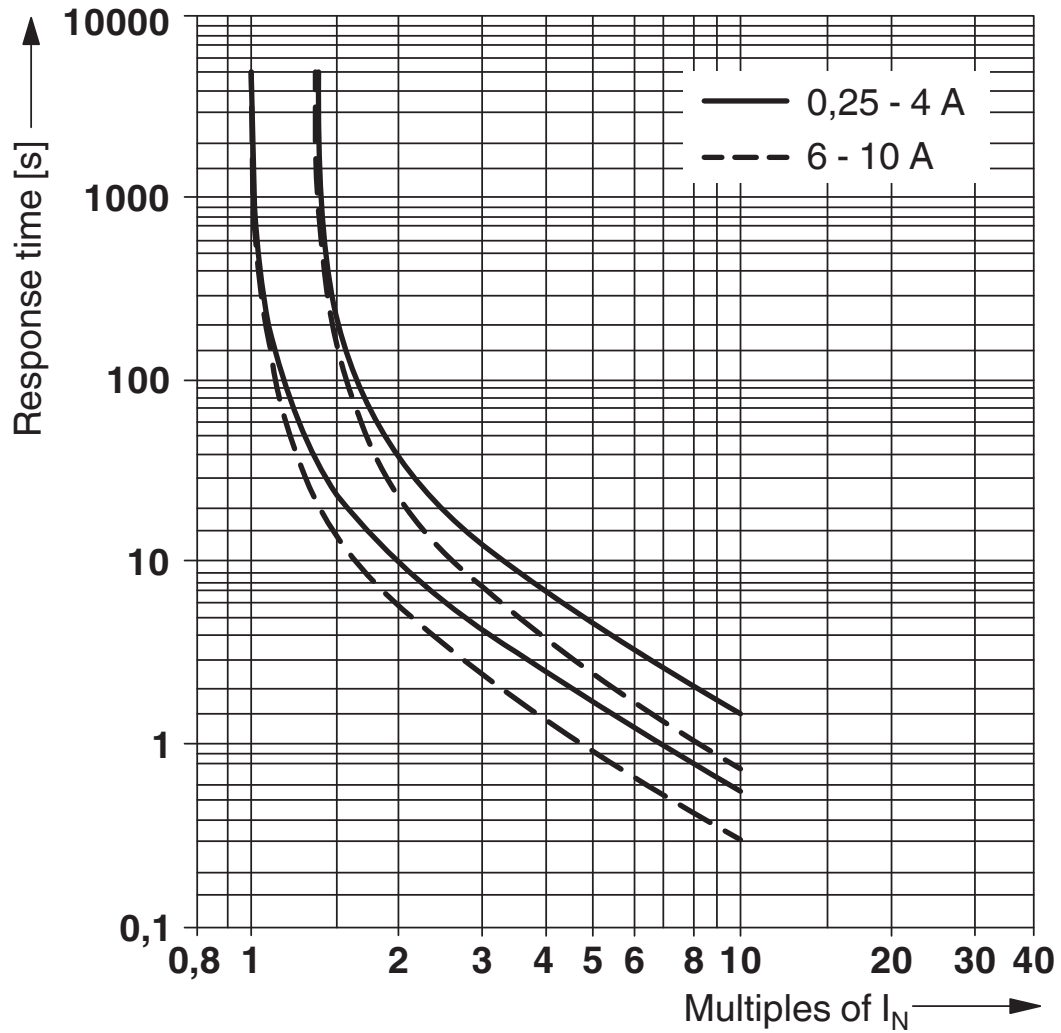


# TCP 6A - Thermal device circuit breaker

0712275

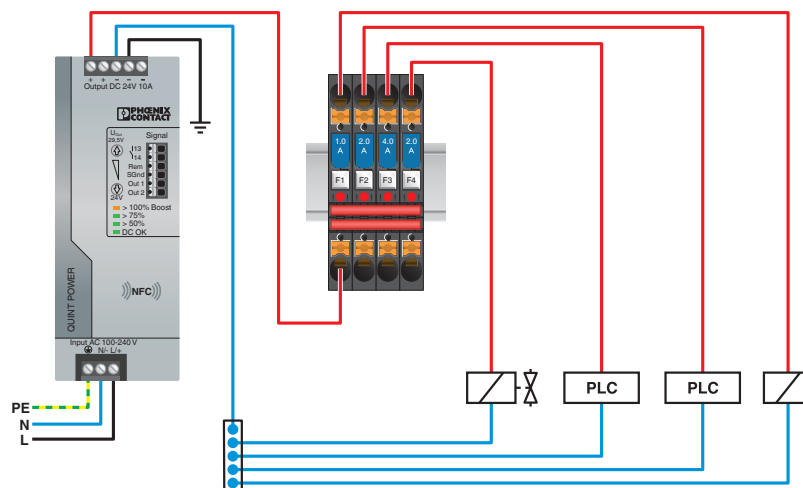
<https://www.phoenixcontact.com/us/products/0712275>

Diagram



Trigger characteristic

Application drawing





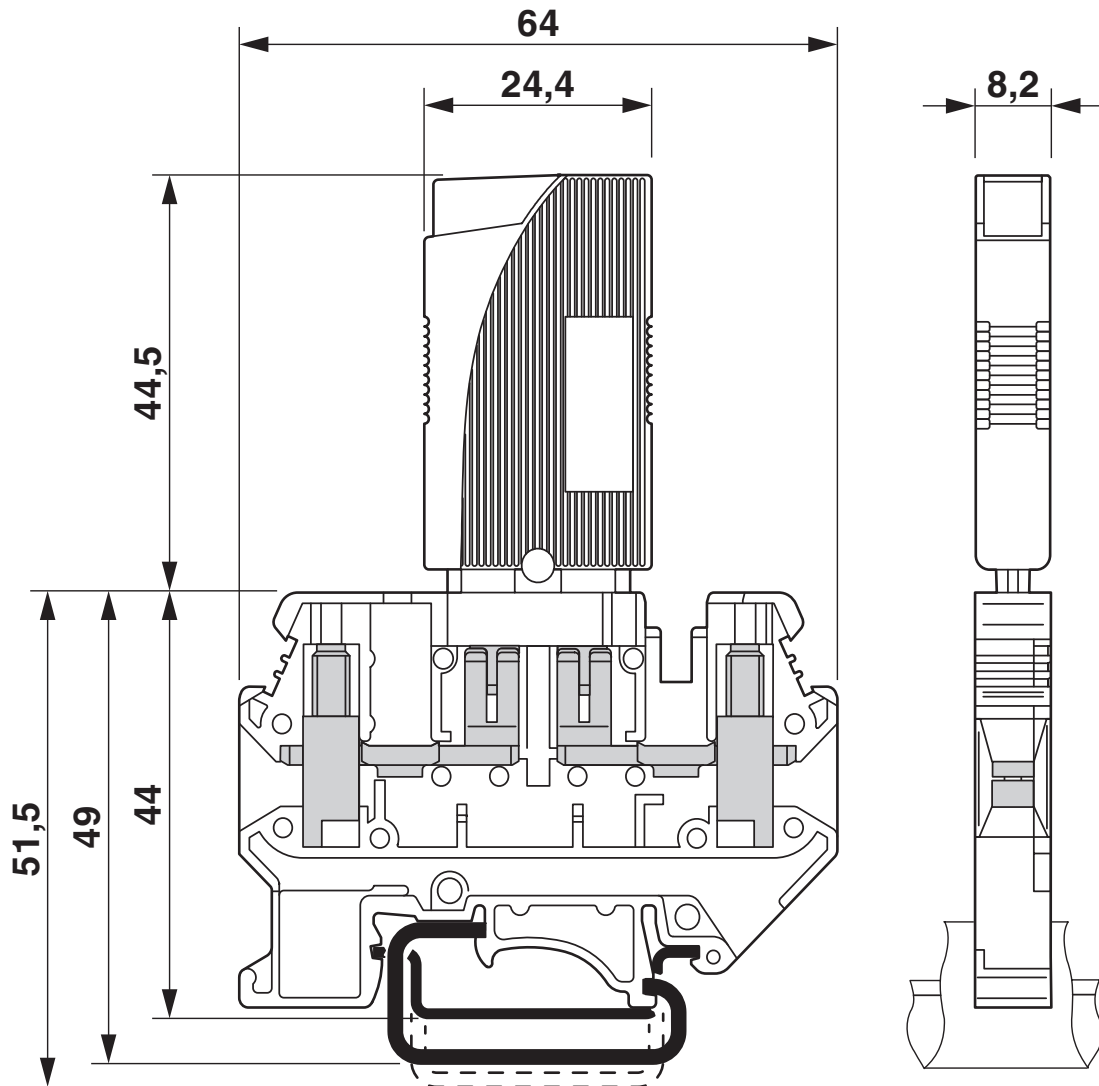
# TCP 6A - Thermal device circuit breaker

0712275

<https://www.phoenixcontact.com/us/products/0712275>



Dimensional drawing



# TCP 6A - Thermal device circuit breaker





0712275

<https://www.phoenixcontact.com/us/products/0712275>


## Approvals


To download certificates, visit the product detail page: <https://www.phoenixcontact.com/us/products/0712275>


 <b>CSA</b> Approval ID: 074317	Nominal voltage $U_N$	Nominal current $I_N$	Cross section AWG	Cross section $\text{mm}^2$
	250 V	6 A	-	-


 <b>cUL Recognized</b> Approval ID: FILE E 140459
---------------------------------------------------------------------------------------------------------------------------------------

 <b>UL Recognized</b> Approval ID: FILE E 140459
--------------------------------------------------------------------------------------------------------------------------------------

 <b>EAC</b> Approval ID: EAC-Zulassung
------------------------------------------------------------------------------------------------------------------------------

 <b>EAC</b> Approval ID: RU C-DE.A*30.B01546
------------------------------------------------------------------------------------------------------------------------------------

 <b>VDE Zeichengenehmigung</b> Approval ID: 40034332
--------------------------------------------------------------------------------------------------------------------------------------------

 <b>CCC</b> Approval ID: 2019010307241945
---------------------------------------------------------------------------------------------------------------------------------

<b>UAE-RoHS</b> Approval ID: 23-10-88896
---------------------------------------------

<b>cULus Recognized</b>
-------------------------

# TCP 6A - Thermal device circuit breaker



0712275

<https://www.phoenixcontact.com/us/products/0712275>

## Classifications

### ECLASS

ECLASS-11.0	27141116
ECLASS-12.0	27141116
ECLASS-13.0	27140401

### ETIM

ETIM 9.0	EC000899
----------	----------

### UNSPSC

UNSPSC 21.0	39121400
-------------	----------

# TCP 6A - Thermal device circuit breaker



0712275

<https://www.phoenixcontact.com/us/products/0712275>

## Environmental product compliance

### EU RoHS

Fulfills EU RoHS substance requirements	Yes, No exemptions
-----------------------------------------	--------------------

### China RoHS

Environment friendly use period (EFUP)	EFUP-E
	No hazardous substances above the limits

### EU REACH SVHC

REACH candidate substance (CAS No.)	No substance above 0.1 wt%
-------------------------------------	----------------------------

# TCP 6A - Thermal device circuit breaker



0712275

<https://www.phoenixcontact.com/us/products/0712275>

## Accessories

### ZBFM 5/WH:UNBEDRUCKT - Flat zack marker sheet

0803595

<https://www.phoenixcontact.com/us/products/0803595>

Flat zack marker sheet, Sheet, white, unlabeled, can be labeled with: CMS-P1-PLOTTER, PLOTMARK, mounting type: snapped, for terminal block width: 5.2 mm, lettering field size: 5 x 4.5 mm, Number of individual labels: 120



---

### ZBFM 5 CUS - Flat zack marker sheet

0825037

<https://www.phoenixcontact.com/us/products/0825037>

Flat zack marker sheet, can be ordered: by sheet, white, labeled according to customer specifications, mounting type: snap into flat marker groove, for terminal block width: 5.2 mm, lettering field size: 5 x 4.5 mm, Number of individual labels: 120



# TCP 6A - Thermal device circuit breaker



0712275

<https://www.phoenixcontact.com/us/products/0712275>

## UC-TMF 5 OG - Marker for terminal blocks

0818522

<https://www.phoenixcontact.com/us/products/0818522>



Marker for terminal blocks, Sheet, orange, unlabeled, can be labeled with: BLUEMARK ID COLOR, BLUEMARK ID, BLUEMARK CLED, PLOTMARK, CMS-P1-PLOTTER, mounting type: snapped, for terminal block width: 5.2 mm, lettering field size: 4.6 x 5.1 mm, Number of individual labels: 96

---

## ST 4-FSI/C - Fuse modular terminal block

3036372

<https://www.phoenixcontact.com/us/products/3036372>



Fuse modular terminal block, fuse type: Flat, fuse type: C, nom. voltage: 400 V, nominal current: 30 A, connection method: Spring-cage connection, 1 level, Rated cross section: 4 mm<sup>2</sup>, cross section: 0.08 mm<sup>2</sup>- 6 mm<sup>2</sup>, mounting type: NS 35/7,5, NS 35/15, color: black

# TCP 6A - Thermal device circuit breaker

0712275

<https://www.phoenixcontact.com/us/products/0712275>

## ST 4-FSI/C-LED 12 - Fuse modular terminal block

3036495

<https://www.phoenixcontact.com/us/products/3036495>



Fuse terminal block with LED for mounting on NS 35, for miniature circuit breakers, terminal width: 8.2 mm, color: Black

---

## ST 4-FSI/C-LED 24 - Fuse modular terminal block

3036505

<https://www.phoenixcontact.com/us/products/3036505>



Fuse terminal block with LED for mounting on NS 35, for miniature circuit breakers, terminal width: 8.2 mm, color: Black

# TCP 6A - Thermal device circuit breaker

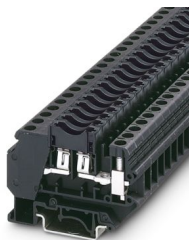
0712275

<https://www.phoenixcontact.com/us/products/0712275>

## UK 6-FSI/C - Fuse modular terminal block

3118203

<https://www.phoenixcontact.com/us/products/3118203>



Fuse modular terminal block, fuse type: Flat, fuse type: C, nom. voltage: 250 V, nominal current: 30 A, number of positions: 1, connection method: Screw connection, 1 level, Rated cross section: 4 mm<sup>2</sup>, cross section: 0.2 mm<sup>2</sup>- 10 mm<sup>2</sup>, mounting type: NS 35/7,5, NS 35/15, NS 32, color: black

---

## UK 6-FSI/C-LED12 - Fuse modular terminal block

3001925

<https://www.phoenixcontact.com/us/products/3001925>



Flat-type fuse terminal block, cross section: 0.2 - 6 mm<sup>2</sup>, AWG: 26 - 8, width: 8.2 mm, color: black, with light indicator, voltage light indicator: 12 V DC, current light indicator: 2 mA



# TCP 6A - Thermal device circuit breaker

0712275

<https://www.phoenixcontact.com/us/products/0712275>

## UK 6-FSI/C-LED24 - Fuse modular terminal block

3001938

<https://www.phoenixcontact.com/us/products/3001938>



Flat-type fuse terminal block, cross section: 0.2 - 6 mm<sup>2</sup>, AWG: 26 - 8, width: 8.2 mm, color: black, with light indicator, voltage light indicator: 24 V DC, current light indicator: 2 mA

---

## PT 6-FSI/C - Fuse modular terminal block

3212166

<https://www.phoenixcontact.com/us/products/3212166>



Fuse modular terminal block, fuse type: Flat, fuse type: Type C / max. 2.2 W, nom. voltage: 400 V, nominal current: 25 A, connection method: Push-in connection, Rated cross section: 6 mm<sup>2</sup>, cross section: 0.5 mm<sup>2</sup>- 10 mm<sup>2</sup>, mounting type: NS 35/7,5, NS 35/15, color: black

# TCP 6A - Thermal device circuit breaker

0712275

<https://www.phoenixcontact.com/us/products/0712275>

## PT 6-FSI/C-LED 12 - Fuse modular terminal block

3212169

<https://www.phoenixcontact.com/us/products/3212169>



Fuse modular terminal block, fuse type: Flat, fuse type: Type C / max. 2.2 W, nom. voltage: 12 V, nominal current: 25 A, connection method: Push-in connection, Rated cross section: 6 mm<sup>2</sup>, cross section: 0.5 mm<sup>2</sup>- 10 mm<sup>2</sup>, mounting type: NS 35/7,5, NS 35/15, color: black

---

## PT 6-FSI/C-LED 24 - Fuse modular terminal block

3212172

<https://www.phoenixcontact.com/us/products/3212172>



Fuse modular terminal block, fuse type: Flat, fuse type: Type C / max. 2.2 W, nom. voltage: 24 V, nominal current: 25 A, connection method: Push-in connection, Rated cross section: 6 mm<sup>2</sup>, cross section: 0.5 mm<sup>2</sup>- 10 mm<sup>2</sup>, mounting type: NS 35/7,5, NS 35/15, color: black

# TCP 6A - Thermal device circuit breaker



0712275

<https://www.phoenixcontact.com/us/products/0712275>

## PT 6-FSI/C-LED 48 - Fuse modular terminal block

3212175

<https://www.phoenixcontact.com/us/products/3212175>



Fuse modular terminal block, fuse type: Flat, fuse type: Type C / max. 2.2 W, nom. voltage: 48 V, nominal current: 25 A, connection method: Push-in connection, Rated cross section: 6 mm<sup>2</sup>, cross section: 0.5 mm<sup>2</sup>- 10 mm<sup>2</sup>, mounting type: NS 35/7,5, NS 35/15, color: black

---

Phoenix Contact 2024 © - all rights reserved

<https://www.phoenixcontact.com>

Phoenix Contact USA  
586 Fulling Mill Road  
Middletown, PA 17057, United States  
(+717) 944-1300  
[info@phoenixcon.com](mailto:info@phoenixcon.com)