



igubal®  
Pillow Block Bearings

Phone +44 (0) 16 04 - 67 72 40  
Fax +44 (0) 16 04 - 67 72 45

igus® UK Ltd

Internet [www.igus.co.uk](http://www.igus.co.uk)  
E-mail [sales\\_uk@igus.co.uk](mailto:sales_uk@igus.co.uk)



igubal® pillow block bearings are bearing units that are especially easy to install and are able to compensate for alignment errors and prevent edge loads.

## Areas of Application

The ability to pivot allows igubal® pillow block bearings to compensate for misalignment and possible shaft deflection. Applications in which these effects cannot be prevented are suitable for igubal® pillow block bearings.

## Tolerances

Maintenance-free igubal® pillow block bearings are designed with an inside diameter tolerance of E10. The shaft should be made to tolerance class h6 to h9. These recommended tolerances allow for changes in the bearing due to temperature.

## Fitting

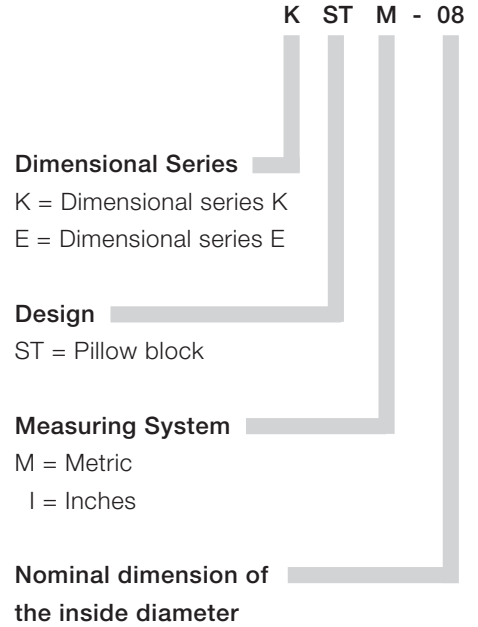
igubal® pillow block bearings are designed for mounting with 2 bolts. Precision mounting of the bearing is not necessary, since the spherical ball compensates for alignment errors.

## Product Range

igubal® pillow block bearings can be supplied in the standard dimensions for shafts of 5 to 50 mm.

## Structure of Part Numbers for igubal® Pillow Block Bearings

The part numbers of igubal® pillow block bearings are designed according to the following system:



The example shows a pillow block bearing of the dimensional series K with metric dimensions. The spherical ball has an inner diameter of 8 mm.



## Special Properties

- Maintenance-free, self-lubricating
- High strength under impact loads
- High tensile strength for varying loads
- Compensation for alignment errors
- Compensation for edge loads
- Resistant to corrosion
- Chemical resistant
- High vibration dampening capacity
- Suitable for rotating, oscillating and linear movements
- Light weight



### Material

Housing: igumid G

▶ Page 70.6

Spherical Bearing:

iglidur® W300

▶ Chapter 5

## Load Data

igubal® – Pillow Block Bearing KSTM

Part Number	Maximum Static Tensile Strength Short term [N]	Maximum Static Tensile Strength Long term [N]	Maximum Static axial Compressive Strength [N]	Maximum Torque for Longitudinal holes [Nm]
KSTM-05	700	350	400	0,6
KSTM-06	1100	550	400	1,3
KSTM-08	1300	650	800	1,3
KSTM-10	1500	750	1100	2,5
KSTM-12	2200	1100	1150	2,5
KSTM-14	2400	1200	1200	4,5
KSTM-16	3000	1500	1800	4,5
KSTM-18	3500	1750	1900	10,5
KSTM-20	4700	2350	2500	10,5
KSTM-22	6100	3050	2700	10,5
KSTM-25	6600	3300	3200	10,5
KSTM-30	8100	4050	3750	21,5

## Load Data

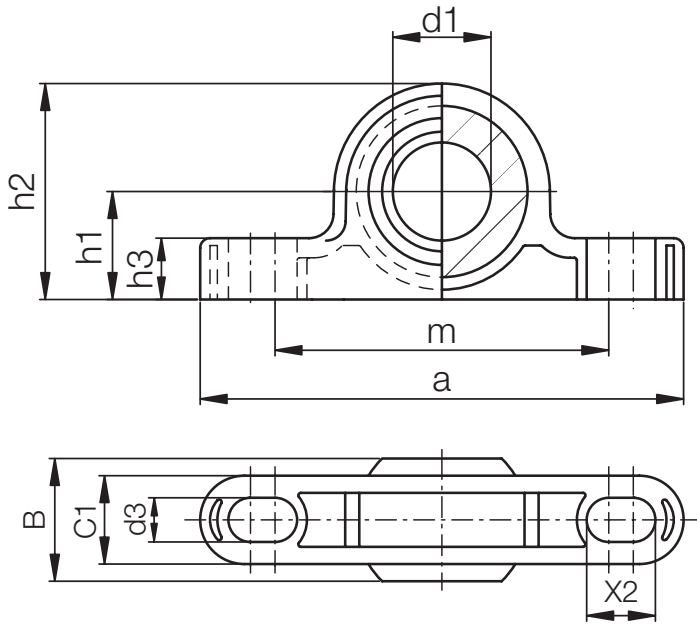
igubal® – Pillow Block Bearing KSTI

Part Number	Maximum Static Tensile Strength Short term [N]	Maximum Static Tensile Strength Long term [N]	Maximum Static axial Strength [N]	Maximum Torque Longitudinal holes [Nm]
KSTI-03	550	275	350	0,6
KSTI-04	600	300	400	0,6
KSTI-05	800	400	500	0,8
KSTI-06	1000	500	600	1,3
KSTI-07	1100	550	700	2,5
KSTI-08	1200	600	750	2,5
KSTI-10	2100	1050	900	2,5
KSTI-12	3100	1550	1600	4,5
KSTI-16	5400	2700	2200	10,5

The maximum torques for longitudinal holes correspond to the permissible torque of the fixing screws (fixing category 5.8).

Available from stock

Lifetime calculation, CAD files and much more support ▶ [www.igus.co.uk/en/kstm](http://www.igus.co.uk/en/kstm)



Data in mm

Structure – part no.

**K ST M-05**



### Dimensions [mm]

igubal® – Pillow Block Bearing KSTM

Part Number	a	d1 E10	B	C1	h1	h2	m	h3	d3	X2	Max. Pivot Angle
KSTM-05	34	5	8	6,0	7	14	25	4	3,3	5	30°
KSTM-06	43	6	9	7,0	10	18	33	5,5	4,5	6	29°
KSTM-08	47	8	12	9,0	10	20	33	6	4,5	7	25°
KSTM-10	62	10	14	10,5	14	26	46	7,5	5,5	8	25°
KSTM-12	65	12	16	12,0	14	28	46	8,5	5,5	9	25°
KSTM-14	82	14	19	13,5	18	34	60	9,5	6,6	11	23°
KSTM-16	86	16	21	15,0	18	36	60	10,5	6,6	12	23°
KSTM-18	93	18	23	16,5	22	42	68	11,5	9,0	13	23°
KSTM-20	98	20	25	18,0	22	44	68	13	9,0	14	23°
KSTM-22	108	22	28	20,0	24	48	74	14	9,0	16	22°
KSTM-25	124	25	31	22,0	27	54	86	16	9,0	17	22°
KSTM-30	139	30	37	25,0	32	64	96	17	11,0	20	22°

### Dimensions [inch]

igubal® – Pillow Block Bearing KSTI

Part Number	a	d1 E10	B	C1	h1	h2	m	h3	d3	X2	Max. Pivot Angle
KSTI-03	1,4000	,1900	,312	,234	,290	,566	1,000	,165	,137	,200	25°
KSTI-04	1,7500	,2500	,375	,250	,390	,705	1,250	,205	,137	,250	25°
KSTI-05	1,9500	,3125	,437	,312	,430	,824	1,350	,236	,150	,280	25°
KSTI-06	2,4000	,3750	,500	,359	,550	1,022	1,800	,376	,180	,300	22°
KSTI-07	2,5000	,4375	,562	,406	,570	1,082	1,850	,315	,205	,330	22°
KSTI-08	2,8000	,5000	,625	,453	,600	1,191	2,000	,354	,205	,380	22°
KSTI-10	3,3500	,6250	,750	,484	,700	1,409	2,300	,413	,205	,470	22°
KSTI-12	3,7500	,7500	,875	,593	,860	1,687	2,700	,472	,270	,530	22°
KSTI-16	5,0000	1,0000	1,375	1,005	1,100	2,163	3,500	,630	,520	,680	20°

Available from stock

