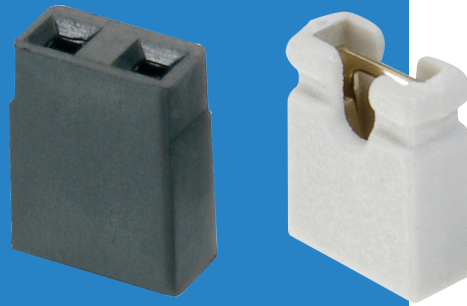


# M20 Connectors

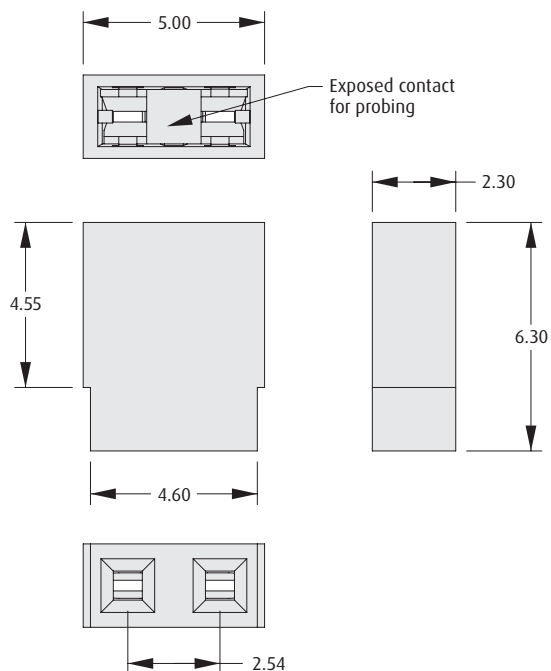
## Jumper Sockets - Open Top

- ❖ Can be fitted by hand, giving an alternative on-board programming method to DIP switches.
- ❖ Open top for use with test probes.
- ❖ Choice of colours available.
- ❖ Multi-use socket provides up to 300 operations (Gold).
- ❖ Twin beam contact for cost-effective reliability.
- ❖ Suitable for use with mating M20 male pin headers, with 0.64mm square pins.

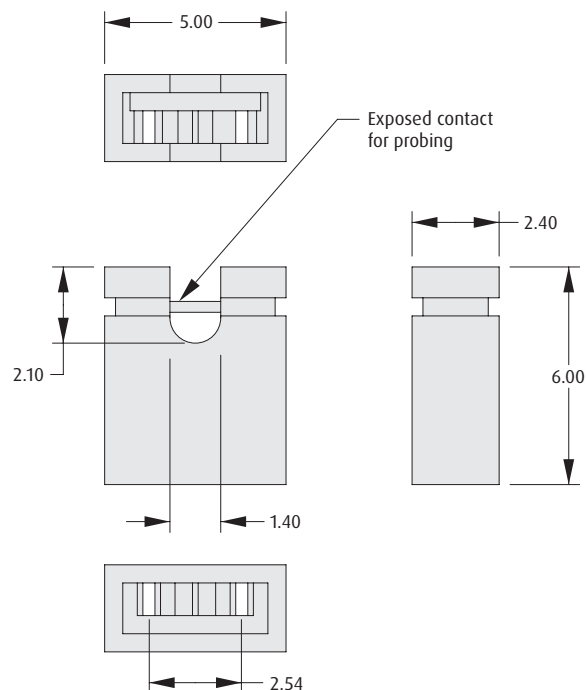


2.54mm (.100") PITCH

### MULTI-USE



### HIGH FORCE, SINGLE OPERATION



### HOW TO ORDER

**M75 XX - XX**

#### SERIES CODE

MULTI-USE	SINGLE OPERATION	
65		Grey
66	81	Red
67	82	Black
71	83	Blue

#### FINISH

05	Gold
46	Tin

All dimensions in mm.