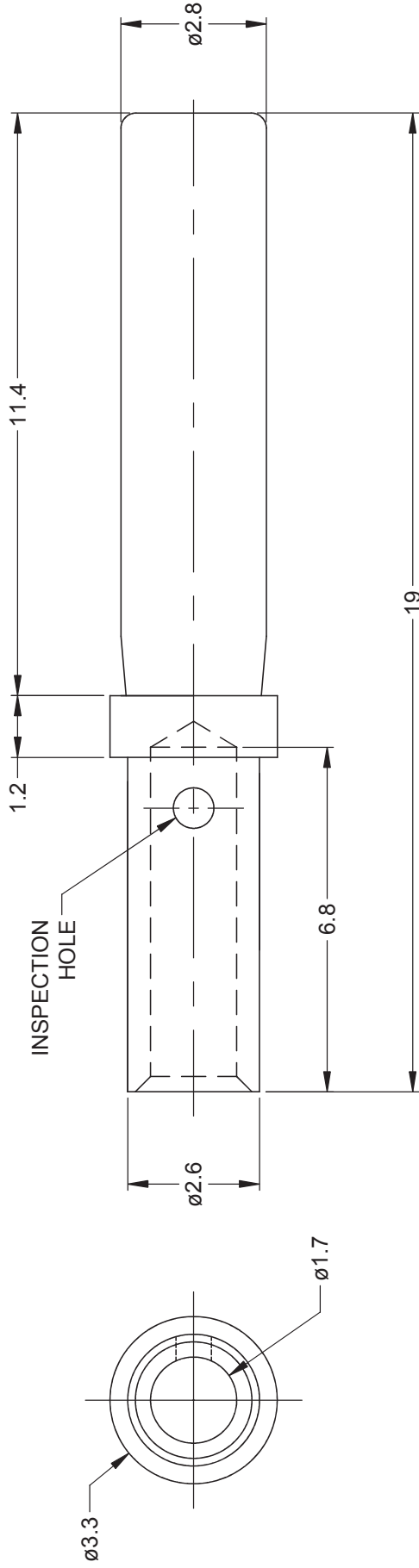


REVISIONS

REV	ECO	DESCRIPTION	DATE	BY	APPR
A4	-	RELEASE NEW DWG FORMAT	10/OCT/13	DRP	-



PART NUMBER CHART	
PLATING	PART NUMBER
GOLD	AT62-201-1631
NICKEL	AT62-201-16141

- NOTES: UNLESS OTHERWISE SPECIFIED
- MATERIAL: COPPER ALLOY
  - PLATING: SEE PART NUMBER CHART
  - CONTACT SIZE: 16
  - SPECIFICATIONS:
    - 4.1 CURRENT RATING: 13 AMPS
    - 4.2 CONTACT MILLIVOLT DROP: 60 MILLIVOLT DROP @ 13 AMP TEST CURRENT.
    - 4.3 RoHS COMPLIANT

- RECOMMENDED WIRE RANGE: 16 - 20 AWG
- AVAILABLE HAND CRIMPER: CA-5D12
- ALL DIMENSIONS ARE FOR REFERENCE USE ONLY

QUANTITY	SEE PART NUMBER CHART	DESCRIPTION	ITEM

MATERIALS LIST

SIGNATURES	DATE
D.PARKS	10/OCT/13
CHECKED:	
ENGINEER:	
APPROVAL:	
CUSTOMER:	

UNLESS OTHERWISE SPECIFIED  
 1) All dimensions are in metric(mm).  
 2) Tolerances are as follows:  
 1 PL DEC ±0.30      Fractions ±1/64  
 2 PL DEC ±0.15      Angles ±1°  
 3 PL DEC ±0.08

3) Note reference =

MATERIAL SPECIFICATIONS:

PROCESS SPECIFICATIONS:

NEXT ASSY:

**Amphenol**

Sine Systems - www.amphenol-sine.com  
 44724 Morley Drive  
 Clinton Township, MI 48036

CONTACT, SOCKET, SOLID, SIZE 16,  
 16-20 AWG, AT & AHD-9 SERIES

SIZE	TYPE	DWG NO:	REVISION
A	C-	AT62-201-16XXX	A4

SCALE: NONE      SHEET 1 OF 1