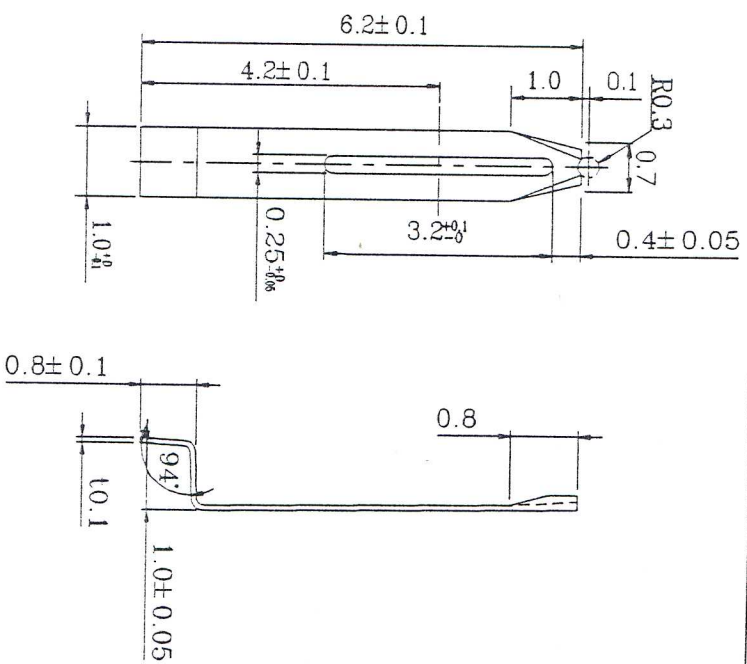


L	DIMENSION
A	13.2mm
B	16mm
C	20mm

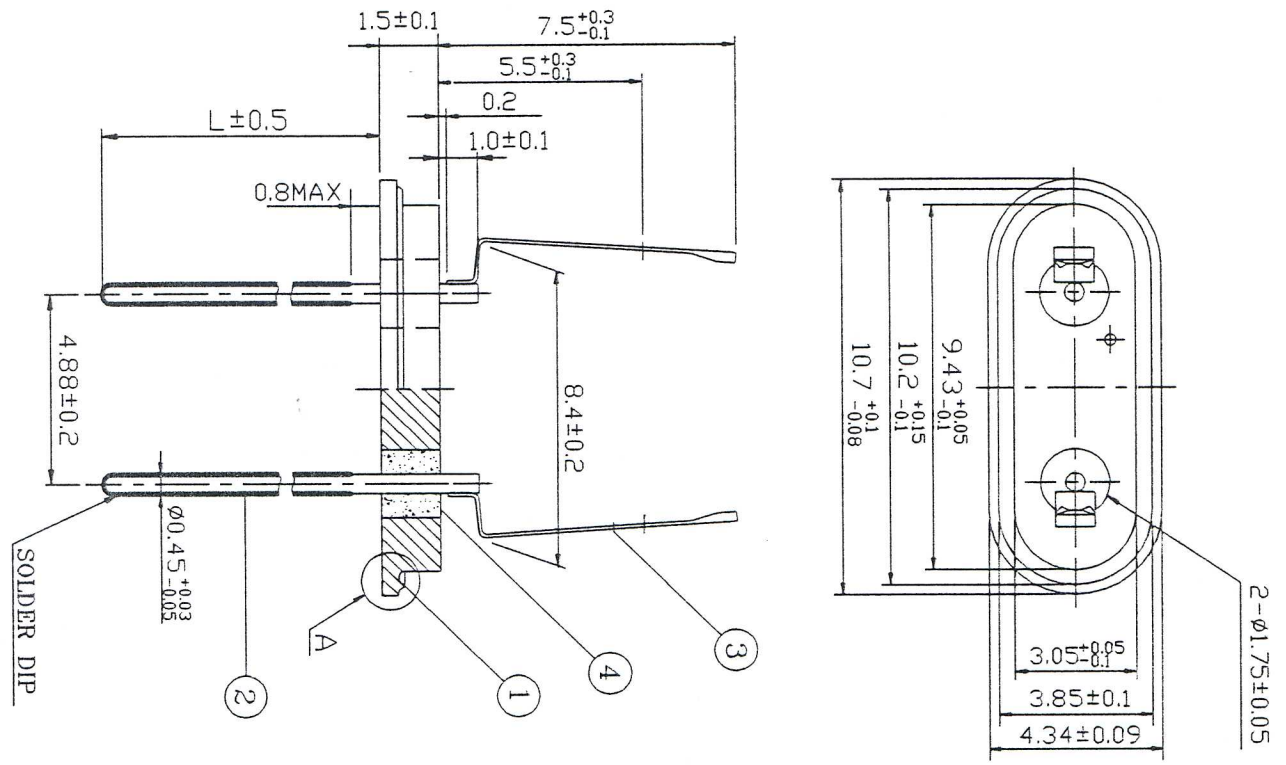
MARK	DATE	REVISION	CHECK
\triangle B			
\triangle C			
\triangle D			



NO	DESCRIPTION	MAT'L	Q'TY	REMARK
1	B A S E	SPCC	1	
2	W I R E	KOVAR	3	
3	P I N	NSS	2	
4	G L A S S	G L A S S	2	

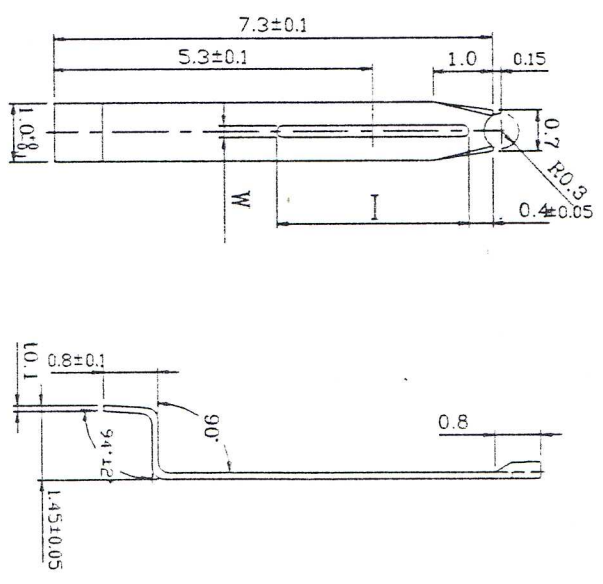
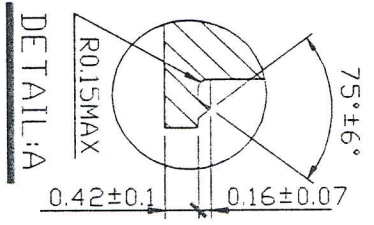
DESIGN	CHECK	APPR	DATE	SCALE	UNIT	FINISH	NAME	DWG. NO
<i>[Signature]</i>	<i>[Signature]</i>	<i>[Signature]</i>	96.9.21	/ NS	/ mm	Electroless (min ϕ 4 ϕ - 15 ϕ max)	49/U HOLDER ϕ 8.0	DWG. NO KBD-AH-GE801 A

경보정밀주식회사



L DIMENSION	
A	13.2mm
B	16mm
C	20mm




L/W DIMENSION	
I	W
3.2+0.1 0	0.25+0.1 0
3.3±0.05	0.4±0.05



MARK	DATE	REVISION	CHECK
△B			
△C			
△D			

NO	DESCRIPTION	UNIT	SCALE	DATE	DESIGN	CHECK	APPR	NAME	DWG. NO
4	GLASS			96.9.21				49/U HOLDER Ø8.7	KBD-AH-GE871 A
3	PIN								
2	WIRE								
1	BASE								

FINISH Electroless
(min 4.0 - 15.0 μmax)

경보정밀주식회사