

SPECIFICATION

受 控

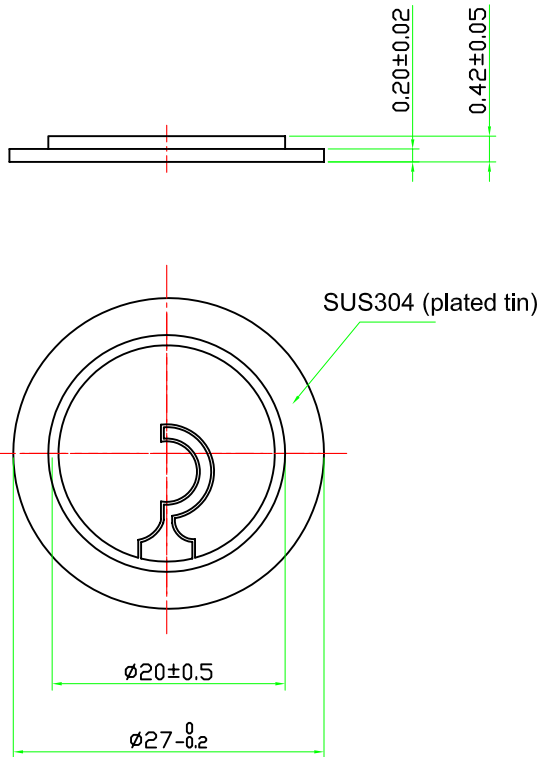
1. SCOPE

This specification is applied to the piezoelectric diaphragm.

2. SPECIFICATION

(at25°C)

- | | | |
|---------------------------|---|---------------------------|
| 2.1 Resonant Frequency | : | 3.75~4.35 KHz |
| 2.2 Resonant Resistance | : | 250 Ω max |
| 2.3 Capacitance | : | Cm: 20000pF± 30% at 100Hz |
| 2.4 Input Voltage | : | 30Vp-p max |
| 2.5 Operating Temperature | : | -20~+60°C |
| 2.6 Storage Temperature | : | -20~+70°C |
| 2.7 Dimension | : | as per figure |



TOLERANCES UNLESS NOTED OTHERWISE .X ± .XX ± .XXX ± 90° FORMED +2° ANGLES -1°	DRAWN	汪逸	KEPO MODEL NO.	CUSTOMER															
	DESIGN		MFT-27GX-4.15B1	CUSTOMER NO.															
	CHECKED																		
	APPROVED	徐锦生	DWG NO.	<table style="width: 100%; border-collapse: collapse;"> <tr> <td style="width: 10%;">VER</td> <td style="width: 10%;">1.0</td> <td style="width: 10%;">SCALE</td> <td style="width: 10%;"></td> <td style="width: 10%;"></td> <td style="width: 10%;"></td> </tr> <tr> <td>UNIT</td> <td>mm</td> <td>SHEET</td> <td></td> <td></td> <td></td> </tr> </table>				VER	1.0	SCALE				UNIT	mm	SHEET			
	VER	1.0	SCALE																
	UNIT	mm	SHEET																
	DATE	10.01.04	KP3.844.809.01	TEL: (+86)574-88370330 FAX: (+86)574-88370329															
CONTRACT NO.																			
FIRST ANGLE PROJECTION			KEPO CO., LTD.																
AGENCY APPROVAL																			