

SPECIFICATION

1. SCOPE

This specification is applied to the piezoelectric diaphragm.

2. MODEL NO. : M FT-27T-3.8B1

3. SPECIFICATION (at 25°C)

3.1 Resonant Frequency : 3.8 ± 0.5 KHz

3.2 Resonant Resistance : 300 Ω max

3.3 Capacitance : 20000 pF \pm 30% at 100Hz

3.4 Input Voltage : 30 V_{p-p} max

3.5 Operating Temperature : -20~+50°C

3.6 Storage Temperature : -20~+70°C

3.7 Dimension : as per figure 1.

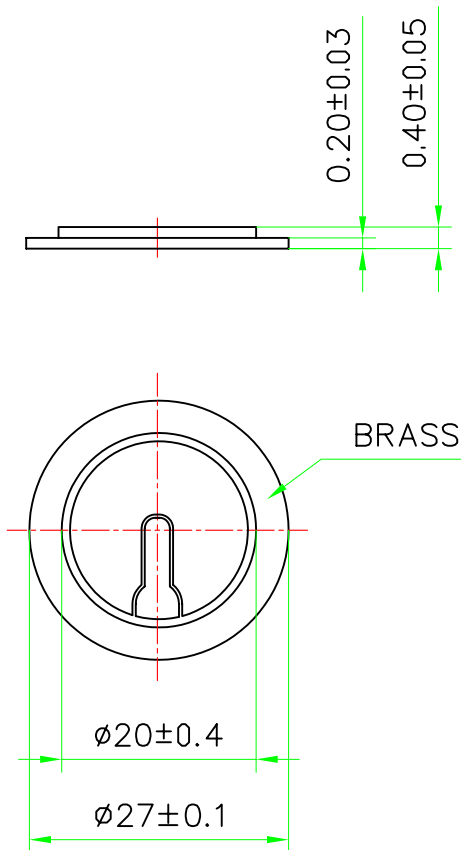


Figure 1 (mm)

TOLERANCES UNLESS NOTED OTHERWISE .X \pm .XX \pm .XXX \pm 90° FORMED +2° ANGLES -1°	DRAWN		KEPO MODEL NO.		CUSTOMER			
	DESIGN		MFT-27T-3.8B1		CUSTOMER NO.			
	CHECKED							
	APPROVED		DWG NO.		VER 1.2 SCALE UNIT mm SHEET			
	DATE	04.10.25	KP3.840.799G					
	CONTRACT NO.							
	AGENCY APPROVAL				TEL: (+86)574-88370330 FAX: (+86)574-88370329			
FIRST ANGLE PROJECTION 								