

SHOULDER

SPECIFICATION

Item:	Ceramic Filter
Type:	LTS...W

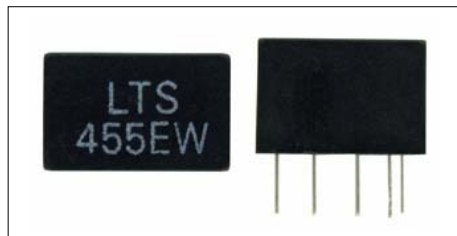




LTS...W

Scope

This specification shall cover the characteristics of the XT...MB Ceramic Filter.



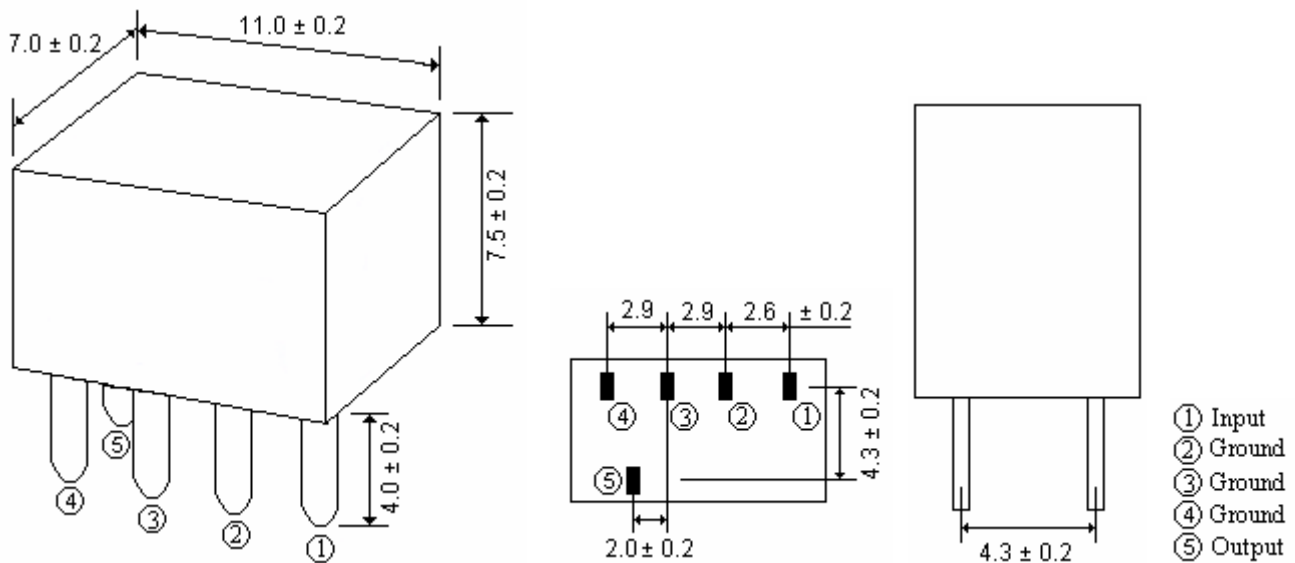
Ceramic Filters LTM 455/450W Series are miniaturized versions of the CFU/CFWS lines. These compact, highly selective characteristics are recommended for use in applications ranging from two-way radio to auxiliary filters in high class transceivers. These ultra-miniature versions consume approximately 40% less volume while still offering the same high performance characteristics.

Part Number	Center Frequency In (KHz)	Insertion Loss (dB)	Pass Band Ripple (dB) max	6dB Bandwidth (KHz) min	50dB Bandwidth (KHz) min	Stop Band Att. 10KHz (dB) min	Input/Output Impedance (Ω)
LTS450BW	450 \pm 2.0	4	2	\pm 15	\pm 30	45	1500
LTS455BW	455 \pm 2.0	4	2	\pm 15	\pm 30	45	1500
LTS450CW	450 \pm 2.0	4	2	\pm 12.5	\pm 24	45	1500
LTS455CV	455 \pm 2.0	4	2	\pm 12.5	\pm 24	45	1500
LTS450DW	450 \pm 1.5	4	2	\pm 10	\pm 20	45	1500
LTS455DW	455 \pm 1.5	4	2	\pm 10	\pm 20	45	1500
LTS450EW	450 \pm 1.5	6	2	\pm 7.5	\pm 15	45	1500
LTS455EW	455 \pm 1.5	6	2	\pm 7.5	\pm 15	45	1500
LTS450FW	450 \pm 1.5	6	2	\pm 6	\pm 12.5	45	2000
LTS455FW	455 \pm 1.5	6	2	\pm 6	\pm 12.5	45	2000
LTS450GW	450 \pm 1.5	6	2	\pm 4.5	\pm 10	45	2000
LTS455GW	455 \pm 1.5	6	2	\pm 4.5	\pm 10	45	2000
LTS450HW	450 \pm 1.0	6	2	\pm 3	\pm 9	45	2000
LTS455HW	455 \pm 1.0	6	2	\pm 3	\pm 9	45	2000
LTS450IW	450 \pm 1.0	6	2	\pm 2	\pm 7.5	45	2000
LTS455IW	455 \pm 1.0	6	2	\pm 2	\pm 7.5	45	2000
LTS450HTW	450 \pm 1.0	6	2	\pm 3	\pm 9	60	2000
LTS455HTW	455 \pm 1.0	6	2	\pm 3	\pm 9	60	2000

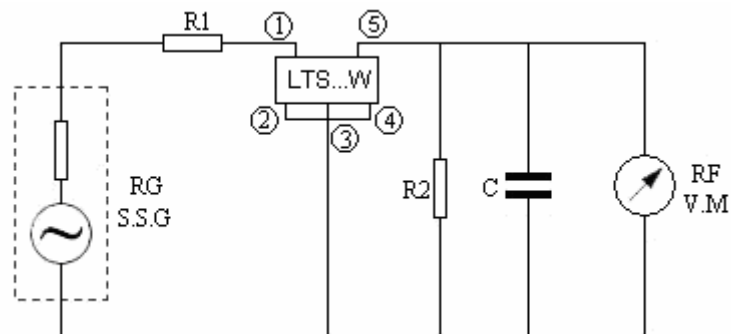


LTS...W

Mechanical Dimensions (All in mm) LTS...W

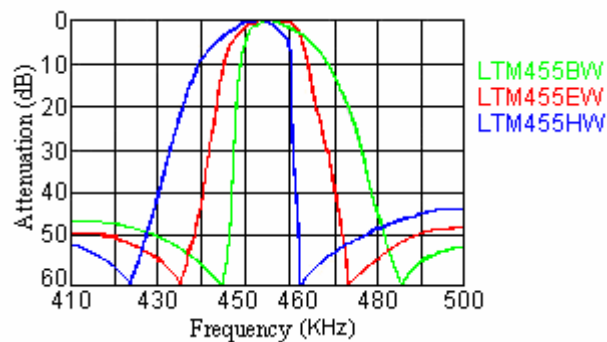


Test Circuit LTS...W



$R_g + R1 = R2 = \text{Input/Output Impedance}$

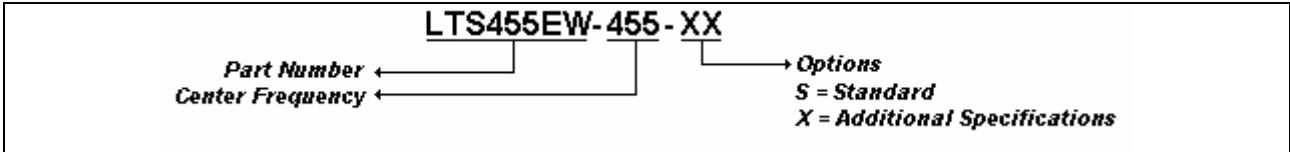
Series Characteristics LTS...W





LTS...W

Through Hole Ceramic Filter Part Numbering System (Example)



LTS455EW	455	S
↕	↕	↕
Part Number	Center Frequency In (KHz)	Option (can be blank)
See Table (1)	See Table (1)	S = Standard X = Additional Specifications