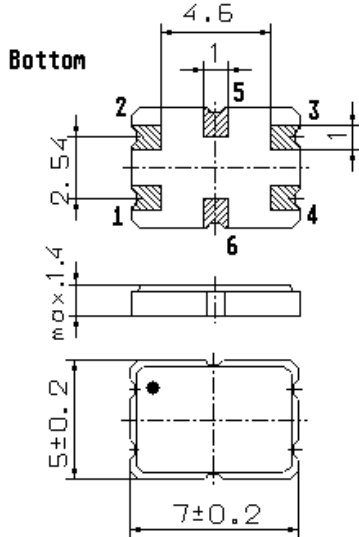


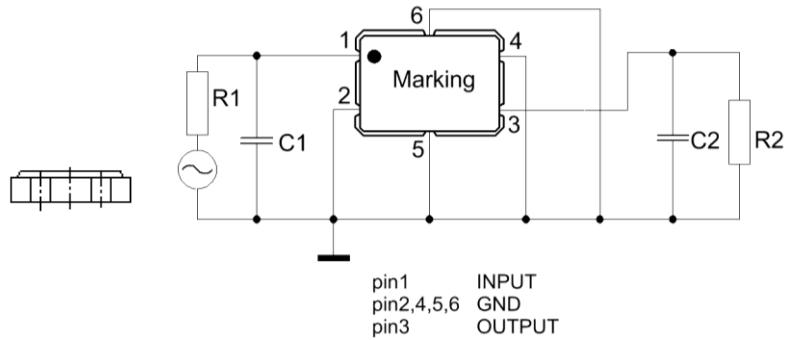
Specification for monolithic crystal filter: **MQF 100.0-0800/01**

1. General

1.1. Package:



GS 2



- | | |
|-----------------------------------|-------------------|
| 1.2. Type name: | MQF 100.0-0800/01 |
| 1.3. Number of poles: | 2 |
| 1.4. Operating temperature range: | -20°C to +85°C |
| 1.5. Operable temperature range: | -45°C to +85°C |
| 1.6. Storage temperature range: | -45°C to +85°C |

2. Electric values

- | | |
|---|---|
| 2.1. Nominal centre frequency f_0 : | 100.0 MHz |
| 2.2. Pass band | |
| 2.2.1. Bandwidth between 3 dB - frequencies: | $> \pm 4$ kHz |
| 2.2.2. Ripple: | < 1.0 dB at $f_0 \pm 2.0$ kHz |
| 2.2.3. Insertion loss:
(measured on smallest attenuation in pass band) | < 4.0 dB |
| 2.3. Stop band | |
| 2.3.1. $f_0 \pm 25$ kHz | > 20 dB |
| 2.3.2. $f_0 \pm 50$ kHz | > 30 dB |
| 2.3.3. Alternate attenuation: | > 40 dB (except spurious) |
| 2.4. Terminating impedance (input and output): | $800 \Omega // 0.65$ pF |
| 2.5. Nominal input power level | -10 dBm |
| 2.5.1 Maximum input power level | + 0 dBm |
| 3. Marking: | ● M100A
VI date code |
| 4. Environment conditions: | according to Vectron CF001 |
| 5. Moisture Sensitivity Level (MSL): | level 1 corresponding to IPC/JEDEC J-STD-20 |