

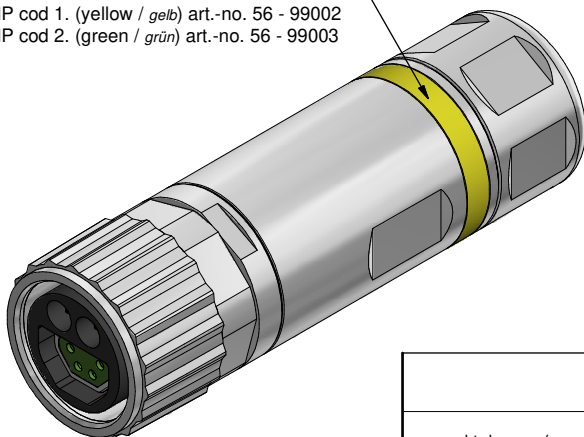
Technical specification: <i>Technische Daten:</i>	Data-element: <i>Daten-Element:</i>	Power-element: <i>Leistungs-Element:</i>
No. of contacts/ <i>Anzahl Kontakte:</i>	4	2
Rated Voltage acc. UL2238/ <i>Bemessungsspannung nach UL2238:</i>	24 V DC	60 V DC
Rated Voltage/ <i>Bemessungsspannung:</i>	24 V DC	60 V DC
Rated impulse voltage/ <i>Bemessungsschlagspannung:</i>	1 kV	1,5 kV
Current rating acc. UL2238/ <i>Strombelastbarkeit nach UL2238:</i>	4 A (AWG22)	10 A (0,75 mm ²)
Current rating/ <i>Strombelastbarkeit:</i>	4 A / 40°C	10 A / 40°C
Contact resistance/ <i>Kontaktwiderstand:</i>	<10 mOhm	<5 mOhm
Insulation resistance/ <i>Isolationswiderstand:</i>	>100 MOhm	
Impedance/ <i>Impedanz:</i>	100 Ohm	
Degree of protection/ <i>Schutzart:</i>	IP 65/67, in mated condition/ <i>im verschraubten Zustand</i>	
Pollution degree/ <i>Verschmutzungsgrad:</i>	3/2	
Temperatur range/ <i>Umgebungstemperatur:</i>	-30°C ... +80°C	
Mating cycles/ <i>Steckzyklen:</i>	>=100	
Materials/ <i>Werkstoffe:</i>		
Contact/ <i>Kontakt:</i>	Cu alloy, Ni b / Au 0,2 gal. / <i>Kupferlegierung, Ni b / Au 0,2 gal.</i>	
Contact carrier/ <i>Kontaktträger:</i>	PA, UL 94 V-0	
Cable cage/ <i>Kabelkäfig:</i>	PA, UL 94 V-0	
Insert/ <i>Einsatz:</i>	PA, UL 94 V-0	
Sealing/ <i>Dichtung:</i>	NBR / HNBR	
Cable gland/ <i>Kabelverschraubung:</i>	CuZn, Ni	
Housing/ <i>Gehäuse:</i>	CuZn, Ni	
RK shielding sleeve/ <i>RK Schirmhülse:</i>	CuZn, Ni	
Coupling nut/ <i>Bajonettmutter:</i>	GD-Zn, Ni	

Installation specification/ <i>Montagedaten:</i>	
Crimping tool/ <i>Crimpzange:</i>	36 - 000640
Locator for crimping tool/ <i>Positionierer für Crimpzange:</i>	36 - 000610
Assembly instruction/ <i>Montageanleitung:</i>	790 - 947900
Screwdriver across flats 17/ <i>Schraubendreher SW17:</i>	36 - 000740

Contact assignment/ <i>Kontaktbelegung:</i>			
1	yellow / gelb	AWG22	TX+
2	white / weiß	AWG22	RX+
3	blue / blau	AWG22	RX-
4	orange / orange	AWG22	TX-
shielding / Schirmung			
5	red / rot	0,75mm ²	
6	blue / blau	0,75mm ²	

Color marking optional / *Farbring optional*

ENP cod 1. (yellow / *gelb*) art.-no. 56 - 99002
ENP cod 2. (green / *grün*) art.-no. 56 - 99003



2 power-contacts contained in set/
2 Power-Kontakte im Set enthalten



Conec part-no./ <i>Conec Art.-Nr.:</i>	56 - 99053
Quantity/ <i>Menge:</i>	50

4 data-contacts contained in set/
4 Daten-Kontakte im Set enthalten



Conec part-no./ <i>Conec Art.-Nr.:</i>	48 - 99015
Quantity/ <i>Menge:</i>	50

Conec part-no./ <i>Conec Art.-Nr.:</i>	Description/ <i>Bezeichnung:</i>	Type/ <i>Typ:</i>	Cable-Ø D/ <i>Kabel-Ø D:</i>
56 - 00009	ENP - 12 - 0 - RKCPst2Dbu4 / 075 / 034	Contact site/ <i>Kontakt Seite:</i> Male/ Stift (power / Power) Female/ Buchse (data / Daten)	8,5 - 9,5mm

general tolerance/ <i>Allgemeintoleranz:</i>		Date/ <i>Datum</i>		Name		Female connector B12, field attachable, coding selectable <i>Kupplung B12, feldkonfektionierbar, Codierung wählbar</i>	
0	± 0,50mm	drawn/ <i>gez.</i>	13.01.17	Becker		dwg no / <i>Z.-nr.:</i>	56K1A0009
0,0	± 0,25mm	appd./ <i>gepr.</i>	13.01.17	Schulte			
0,00	± 0,10mm	Index: "c" Ä20-0068 12.11.20 ssä		scale/ <i>Maßstab:</i>		DIN- A3	
x	± 5°	2:1		CONEC®			
RoHS compliant/ <i>konform</i>						1 / 1	

The reproduction, distribution and utilization of this document as well as the communication of its contents to third parties without express authorization is prohibited. Offenders will be held liable for the payment of damages. We hereby reserve the right to remove or change information at any time without notice, should it become necessary due to changes in our products or processes. © 2017 Arrow Electronics Inc. Arrow, the Arrow logo and other marks are trademarks of Arrow Electronics Inc. in the USA and other countries. All rights reserved.