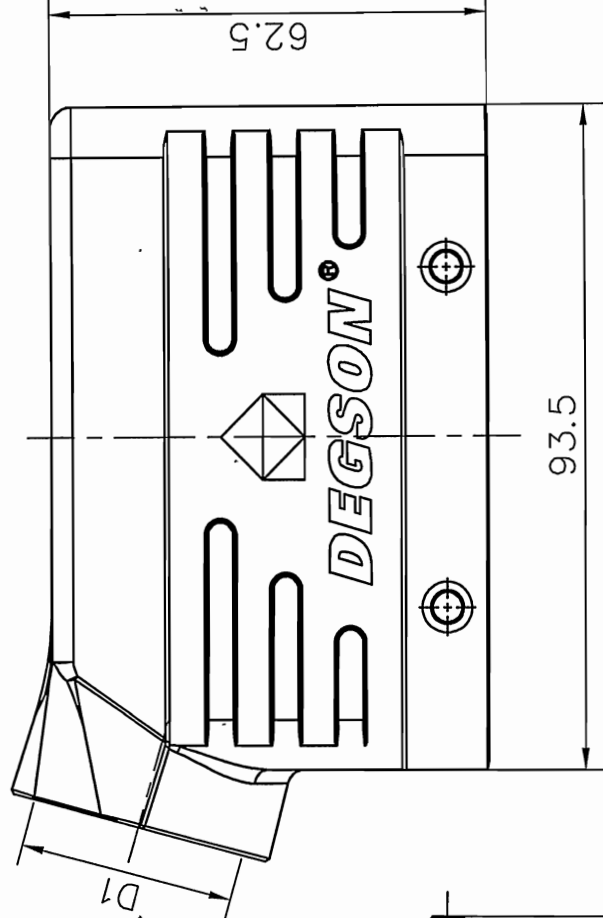
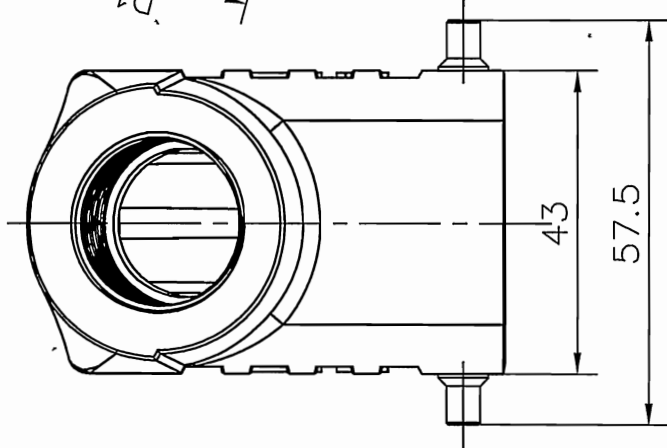
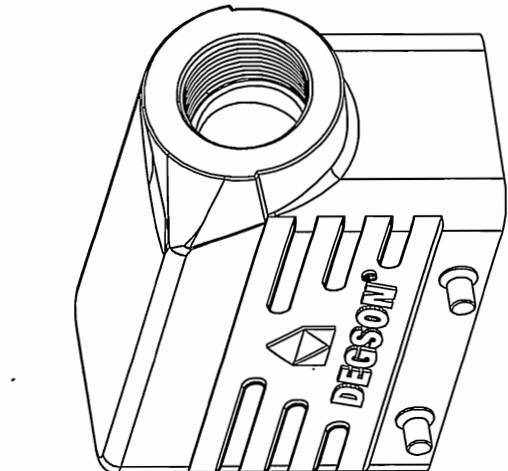


TYPE	Thread(D1) Selection
D16B-SE-4g-M25	M25
D16B-SE-4g-M32	M32
D16B-SE-4g-PG21	PG21

REVISION RECORD				
REV	ECN	DESCRIPTION	DRFT	DATE



Hoods Feature

1. Material: aluminium die-cast
2. Surface: Powder-coated
3. Color: grey (RAL 7037)
4. Limiting temperatures: -40°C ~ +125°C
5. Flammability acc to UL94: V0
6. Degree of protection acc.to EN60529 for coupled connector :IP65
7. Rohs compliance

PART NO: /	NINGBO DEGSON ELECTRICAL CO., LTD
APPD: HJS 2017.7.5	NAME: D16B-SE-4g-M/PG
CHKD: LYF 2017.7.1	TITLE: CUSTOMER DRAWING
DRFT: Mr.yang 2017/06/28	DRAWING NO: DO NOT SCALE DRAWING
DETAILED LISTS	REV DO-1
THIRD ANGLE PROJECTION	SHEET 1/1
	SCALE 1:1