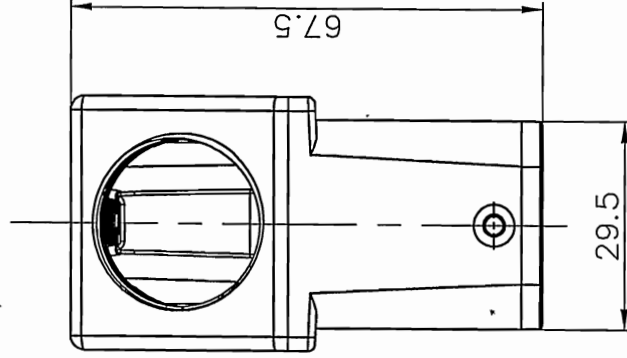
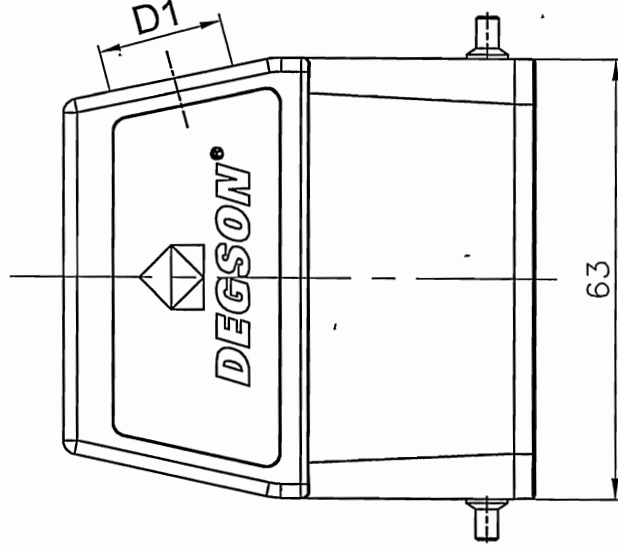
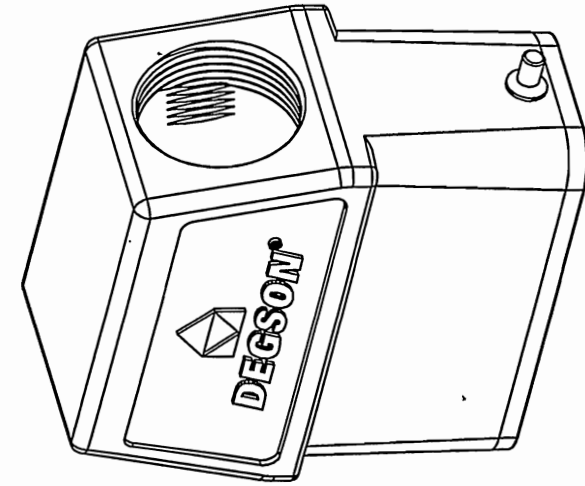


TYPE	Thread(D1) Selection
D10A-SEH-2g-M25	M25
D10A-SEH-2g-PG16	PG16
D10A-SEH-2g-PG21	PG21

REVISION RECORD				
REV	ECN	DESCRIPTION	DRFT	DATE



Hoods Feature

- 01. Material:Aluminium die-cast
- 02. Surface:Powder-coated
- 03. Color:grey (RAL 7037)
- 04. Limiting teemperature::-40 °C~+125 °C
- 05. Sealing:NBR
- 06. Flammability acc to UL94:V0
- 07. Degree of protection acc.to EN60529 for coupled connector:IP65
- 08. Rohs Compliance

PART NO:	NINGBO DEGSON ELECTRICAL CO.,LTD
APPD:	NAME: D10A-SEH-2g-M/PG
CHKD:	TITLE: CUSTOMER DRAWING
DRFT:	REV: DO-1
DRAWING NO.:	
SHEET 1/1	
DO NOT SCALE DRAWING	
SCALE 1:1	

DETAILED LISTS



THIRD ANGLE PROJECTION