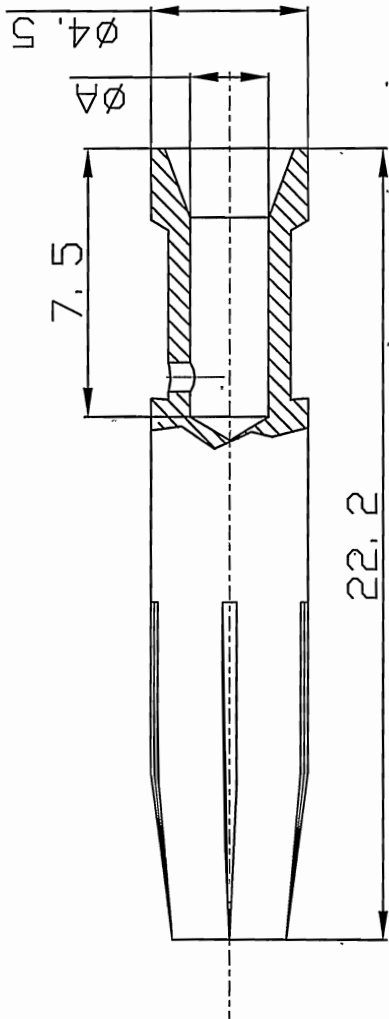


H	7 Contacts, silver-plated Type of products	6 (ØA)	5 Wire gauge		4 Recommended stripping length	2 REVISION RECORD				
			(mm <sup>2</sup> )	(AWG)		REV	ECN	DESCRIPTION	DRFT	DATE
	◆ 16A-SF-0.37	0.9	0.14-0.37	26-22	7.5mm					
	16A-SF-0.5	1.1	0.50	20	7.5mm					
	16A-SF-0.75	1.3	0.75	18	7.5mm					
	16A-SF-1.0	1.45	1.00	18	7.5mm					
	16A-SF-1.5	1.75	1.50	16	7.5mm					
	16A-SF-2.5	2.25	2.50	14	7.5mm					
	16A-SF-4.0	2.85	4.00	12	7.5mm					



- Crimp contacts
01. Material : Copper alloy
  02. Surface : Hard-silver plated
  03. Contact resistance :  $\leq 1m\Omega$
  04. Terminal : Crimp connection
  05. Wire gauge : 0.37-4.0mm<sup>2</sup> (AWG 22-12)
  06. Rohs Compliance

PART NO: /		NINGBO DEGSON ELECTRICAL CO., LTD	
APPRO: HYS 2016.7.1	NAME: 16A-Female Contacts(Silver-plated)	DRAWING NO: /	
CHKD: CLK 2016.7.1	TITLE: CUSTOMER DRAWING	REV: SHEET	DO: 1/1
DRFT: Mr. Yang 2016.06.06		SCALE: 5:1	
THIRD ANGLE PROJECTION		DO NOT SCALE DRAWING	