

REVISION RECORD				
REV	EON	DESCRIPTION	DRFT	DATE

Technical characteristics:

Specifications
 DIN EN 60 664
 DIN EN 61 984

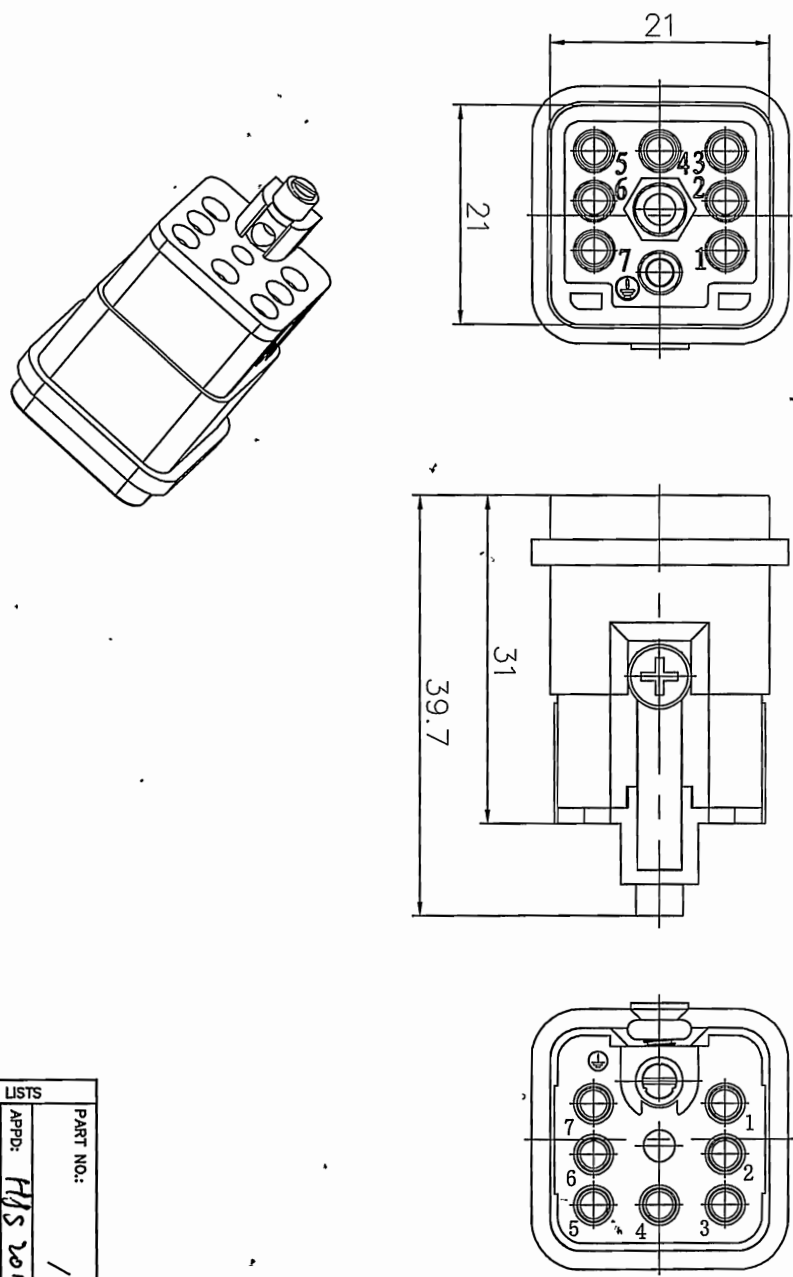
Inserts

- 01. Number of contacts : 7+PE
- 02. Rated Current : 10A
- 03. Rated Voltage : 400V
- 04. Pollution degree : 3
- 05. Rated impulse voltage : 6kV^{U0}
- 06. Insulation resistance : $\geq 10^9 \Omega$
- 07. Material: Polycarbonate
- 08. Rated voltage acc. to UL/CSA: 600V
- 10. Limiting temperatures : -40°C ~ +125°C
- 11. Flammability acc. to UL94: V0
- 12. Mechanical working life (mating cycles) : ≥ 500

Contacts

- 01. Material: Copper alloy
- 02. Surface: hard-Silver plated
: hard-Gold plated
- 03. Contact resistance : $\leq 3m\Omega$
- 04. Terminal : Crimp terminal
- 05. Wire gauge : 0.14-2.5mm² (AWG 26-14)
- 06. Stripping length : 6-8mm
- 07. Rohs Compliance

Note: Crimp contact pins should order separately



DETACHED LISTS			
PART NO.:	/		
APPD:	H/S 2016.10.20		
CHKD:	LJM 2016.10.18		
DRFT:	Mf: Yong 2016.09.25		
THIRD ANGLE PROJECTION			
COMPANY NAME:	宁波德松电子有限公司 NINGBO DEGSON ELECTRICAL CO., LTD		
TITLE:	DQ-007-MC		
DRAWING NO.:	DO NOT SCALE DRAWING	REV	DO-1
SHEET	SCALE	SHEET	1/1
SCALE	1.5:1		