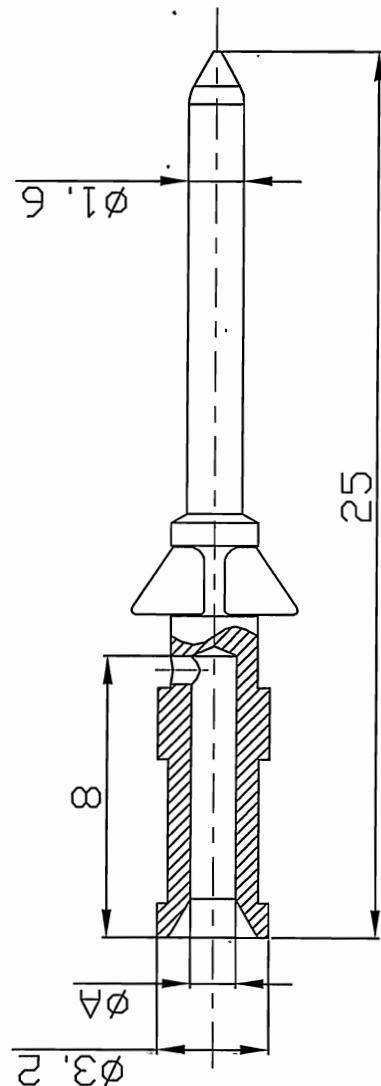


.FOR-1351 Rev.1.0 | 7 | 6 | 5 | 4 | 3 | 2 | 1

Type of products	(∅A)	Wire gauge		Recommended stripping length
		(mm ²)	(AWG)	
◆ 10A-GM-0.37	0.9	0.14-0.37	26-22	8mm
10A-GM-0.5	1.1	0.50	20	8mm
10A-GM-0.75	1.3	0.75	18	8mm
10A-GM-1.0	1.45	1.00	18	8mm
10A-GM-1.5	1.75	1.50	16	8mm
10A-GM-2.5	2.25	2.50	14	6mm



- Crimp contacts
01. Material : Copper alloy
 02. Surface : Hard-Gold plated
 03. Contact resistance : ≤3mΩ
 04. Terminal : Crimp connection
 05. Wire gauge : 0.37-2.5mm² (AWG 22-14)
 06. Rohs Compliance

REVISION RECORD			
REV	ECN	DESCRIPTION	DATE

ITEM	NAME OF PART	NO. OF PART	Q'TY	MATERIAL	NOTES
PART NO.: /					
APPD: HJS 2016.8.10					
CHKD: CMR Job .8.10					
DRFT: Mr. Yang 2016.08.08					
DETAILED LISTS					
PART NO.: /		NINGBO DEGSON ELECTRICAL CO., LTD		宁波高松电子有限公司	
NAME: 10A-Male Contacts(Gold-plated)		TITLE: CUSTOMER DRAWING		REV	DO
DRAWING NO.: /		DO NOT SCALE		SHEET	1/1
THIRD ANGLE PROJECTION		SCALE		DRAWING	5:1