

1577633-1 ✓ ACTIVE

## STRATO-THERM

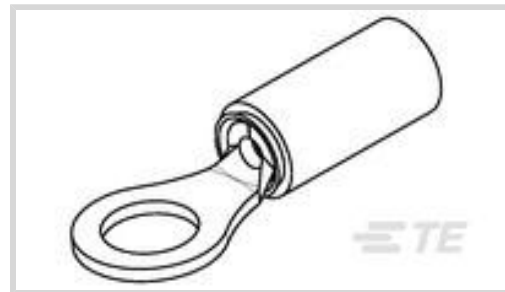
TE Internal #: 1577633-1

Rings & Spades, Ring Tongue, 18 – 16AWG Wire Size, .823 – 1.31 mm<sup>2</sup> Wire Size, 1600 – 2800CMA Wire Size, #10, Stud Diameter 5 mm [.197 in]

[View on TE.com >](#)



Terminals & Splices > Rings & Spades



Terminal & Splice Type: **Ring Tongue**

Wire Size: **1600 – 2800 CMA**

Ring & Spade Stud Size: **#10**

### Features

#### Product Type Features

Ring & Spade Stud Size	#10
Ring & Spade Barrel Type	Closed Barrel
Sealable	No
Insulated	Yes
Ring & Spade Wire/Cable Type	Stranded
Support Style	Non - Insulation Support

#### Configuration Features

Terminal Angle	Straight
----------------	----------

#### Body Features

Ring & Spade Plating Material	Nickel
-------------------------------	--------

#### Contact Features

Terminal & Splice Type	Ring Tongue
Ring & Spade Terminal Orientation	Straight

#### Mechanical Attachment

Wire Insulation Support	Without
-------------------------	---------

#### Dimensions

Wire Size	1600 – 2800 CMA
Stud Diameter	5 mm [.197 in]
Tongue Thickness	.79 mm [.031 in]



Ring & Spade Overall Length	22.43 mm[.883 in]
Ring & Spade Wire Insulation Diameter (Max)	2.67 mm[.106 in]
Ring & Spade Wire Insulation Diameter	1.4 – 2.67 mm[.055 – .106 in]

### Usage Conditions

Operating Temperature Range	260 °C[500 °F]
-----------------------------	----------------

### Operation/Application

Heavy Duty	No
------------	----

### Industry Standards

Government Qualified	No
----------------------	----

### Packaging Features

Packaging Quantity	500
Ring & Spade Packaging Method	Bag/Box

### Product Compliance


[For compliance documentation, visit the product page on TE.com>](#)

EU RoHS Directive 2011/65/EU	Compliant
EU ELV Directive 2000/53/EC	Compliant
China RoHS 2 Directive MIIT Order No 32, 2016	No Restricted Materials Above Threshold
EU REACH Regulation (EC) No. 1907/2006	Current ECHA Candidate List: JUN 2020 (209) Candidate List Declared Against: JAN 2019 (197) Does not contain REACH SVHC
Halogen Content	Low Halogen - Br, Cl, F, I < 900 ppm per homogenous material. Also BFR/CFR/PVC Free
Solder Process Capability	Not applicable for solder process capability

#### Product Compliance Disclaimer

This information is provided based on reasonable inquiry of our suppliers and represents our current actual knowledge based on the information they provided. This information is subject to change. The part numbers that TE has identified as EU RoHS compliant have a maximum concentration of 0.1% by weight in homogenous materials for lead, hexavalent chromium, mercury, PBB, PBDE, DBP, BBP, DEHP, DIBP, and 0.01% for cadmium, or qualify for an exemption to these limits as defined in the Annexes of Directive 2011/65/EU (RoHS2). Finished electrical and electronic equipment products will be CE marked as required by Directive 2011/65/EU. Components may not be CE marked. Additionally, the part numbers that TE has identified as EU ELV compliant have a maximum concentration of 0.1% by weight in homogenous materials for lead, hexavalent chromium, and mercury, and 0.01% for cadmium, or qualify for an exemption to these limits as defined in the Annexes of Directive 2000/53/EC (ELV). Regarding the REACH Regulation, the information TE provides on SVHC in articles for this part number is based on the latest European Chemicals Agency (ECHA) 'Guidance on requirements for substances in articles' posted at this URL: <https://echa.europa.eu/guidance-documents/guidance-on-reach>

## Compatible Parts



TE Model / Part # 576780  
HEAVY HDD HT, STRATO #18



TE Model / Part # 1-1901600-1  
CCI, STRATOTHERM, 18-16, HEAD



TE Model / Part # 1901600-2  
CCI, STRATOTHERM, 18-16, SHRT

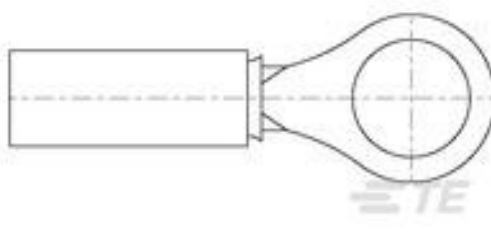


TE Model / Part # 576781  
HEAVY HD HT, STRATO #16



TE Model / Part # 1901600-1  
CCI, STRATOTHERM, 18-16, LONG


## Customers Also Bought



TE Model / Part #1577624-1  
TERMINAL RT PIDG PEEK STRATO 20 AWG



TE Model / Part #1577647-1  
TERMINAL RT PIDG PEEK STRATO 10 AWG



TE Model / Part #170330-2  
PL 187 RECEPTACLE 24-20 AWG NPPHBZ



TE Model / Part #1-160773-0  
PL 250 REC TERMINAL 20-15 NIPPB LP



TE Model / Part #1577632-1  
TERMINAL RT PIDG PEEK STRATO 18-16 AWG



TE Model / Part #ZPF000000000137993  
787-8055-13M



TE Model / Part #ZPF000000000000569  
020-0511-16



TE Model / Part #ZPF000000000000570  
020-0511-20



## Documents

### Product Drawings

#### TERMINAL RT PIDG PEEK STRATO 18-16 AWG

English

### CAD Files

#### 3D PDF

3D

#### Customer View Model

[ENG\\_CVM\\_CVM\\_1577633-1\\_B.2d\\_dxf.zip](#)

English

#### Customer View Model

[ENG\\_CVM\\_CVM\\_1577633-1\\_B.3d\\_igs.zip](#)

English

#### Customer View Model

[ENG\\_CVM\\_CVM\\_1577633-1\\_B.3d\\_stp.zip](#)

English

By downloading the CAD file I accept and agree to the [Terms and Conditions](#) of use.

### Product Specifications

#### Application Specification

English

### Product Environmental Compliance

#### TE Material Declaration

English