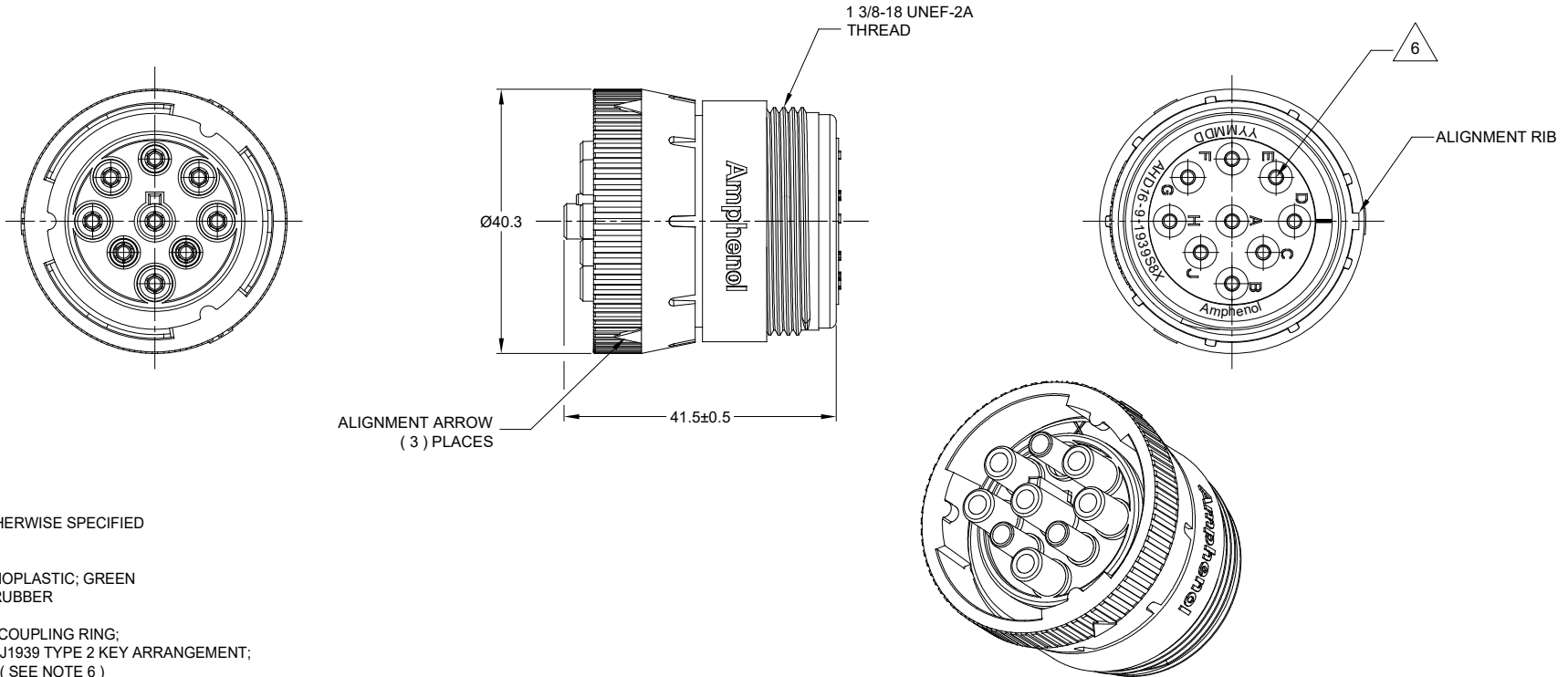


| REVISIONS | | | | | |
|-----------|--------|------------------------|----------|--------|-------|
| REV | ECO | DESCRIPTION | DATE | BY | APPR |
| A2 | | RELEASE NEW DWG FORMAT | 04DEC13 | DRP | |
| A3 | C0754S | UPDATE DRAWING | 01NOV17 | JONY | TOMMY |
| A4 | -- | UPDATE DRAWING | 07JAN/20 | ROOKIE | TOMMY |



NOTES: UNLESS OTHERWISE SPECIFIED

- MATERIAL:
HOUSING: THERMOPLASTIC; GREEN
SEAL: SILICONE RUBBER
- MODIFICATIONS: COUPLING RING;
J1939 TYPE 2 KEY ARRANGEMENT;
(SEE NOTE 6)
- SPECIFICATIONS:
3.1 CURRENT RATING: 13 AMPS
3.2 OPERATING TEMPERATURE: -55°C TO +125°C.
3.3 DIELECTRIC WITHSTANDING VOLTAGE: LESS THAN 2 MILLIAMPS CURRENT LEAKAGE @ 1500 VOLTS AC.
3.4 INSULATION RESISTANCE: 1000 MEGOHM MIN @ 25°C.
3.5 MOISTURE RESISTANCE: IP67 (MATED CONDITION).
3.6 MATING CYCLE DURABILITY: 100 CYCLES
3.7 RoHS COMPLIANT
- MATING PART: AHD10-9-1939P* AND
AHD17-9-1939P*.(*=ALL MODIFICATION)
- ALL DIMENSIONS ARE FOR REFERENCE USE ONLY.

△ CONTACT SIZE AND WIRE RANGE:

| PART NUMBER | SEAL TYPE | CONTACT SIZE | MIN. INSUL O.D. | MAX. INSUL O.D. | TYPICAL WIRE RANGE |
|-----------------|-----------|--------------|----------------------|----------------------|--------------------|
| AHD16-9-1939S80 | STANDARD | 16 | 2.54 mm (.100 in) | 3.81 mm (.150 in) | 14 - 20 AWG |
| AHD16-9-1939S8R | REDUCED | 16 | 1.35 mm (.053 in) | 3.05 mm (.120 in) | 14 - 20 AWG |

| SEE NOTES | | PART NUMBER | | DESCRIPTION | | ITEM |
|---|--|--|--|-------------|--|--|
| QUANTITY | | | | | | |
| MATERIALS LIST | | | | | | |
| UNLESS OTHERWISE SPECIFIED | | SIGNATURES | | DATE | | <p>Amphenol</p> <p>Sine Systems - www.amphenol-sine.com 44724 Morley Drive Clinton Township, MI 48036</p> <p>PLUG, 9 POSITION, COUPLING RING J1939, AHD SERIES</p> |
| 1) All dimensions are in metric (mm). | | DRAWN: ROOKIE | | 07/JAN/20 | | |
| 2) Tolerances are as follows: 1 PL DEC ±0.30 2 PL DEC ±0.15 3 PL DEC ±0.08 | | CHECKED: ORION | | 07/JAN/20 | | |
| 3) Note reference = △ | | ENGINEER: | | | | |
| MATERIAL SPECIFICATIONS: | | APPROVAL: TOMMY | | 07/JAN/20 | | <p>SIZE: B C- DWG NO: AHD16-9-1939S8X REVISION: A4</p> <p>SCALE: NONE SHEET 1 OF 1</p> |
| PROCESS SPECIFICATIONS: | | CUSTOMER: | | | | |
| NEXT ASSY: | | THIS DRAWING IS SUPPLIED FOR INFORMATION ONLY. DESIGN FEATURES, SPECIFICATIONS AND PERFORMANCE DATA SHOWN HEREON ARE THE PROPERTY OF THE AMPHENOL CORPORATION. NO RIGHTS OF REPRODUCTION ARE IMPLIED. ALL DIMENSIONS ARE SUBJECT TO NORMAL MANUFACTURING VARIATIONS. | | | | |

TITLE: PLUG 9 POSITION COUPLING RING J1939 AHD SERIES
DWG NO: AHD16-9-1939S8X
REV: A4
SH: 1
OF: 1