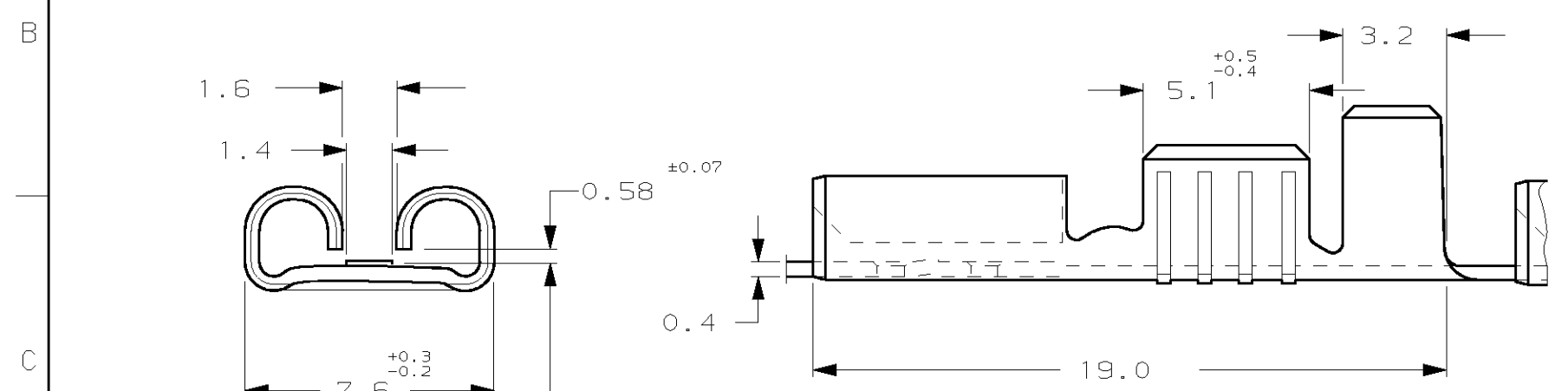
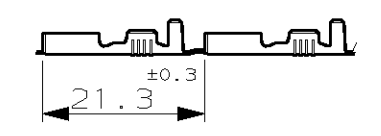


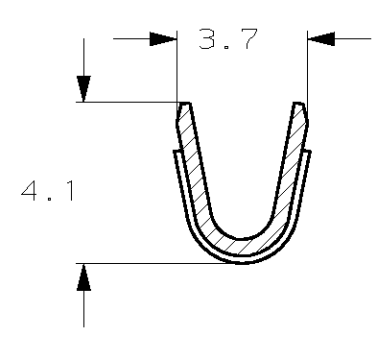
1) STATO DI FORNITURA - SCALA 1:1 (SUPPLY CONDITION - SCALE 1:1)
 SENSO DI USCITA DEL TERMINALE DALLA BOBINA (DIRECTION OFF TOP OF REEL)



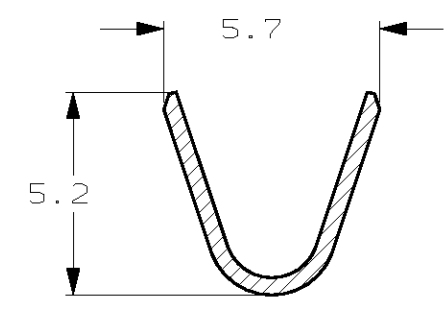
2) SPECIFICA DI PRODOTTO 108-20019 (PRODUCT SPEC. 108-20019)
 SPECIFICA DI APPLICAZIONE 114-20023 (APPLICATION SPEC. 114-20023).
 3) PER LE VERSIONI IN PEZZI SCIOLTI VEDERE DISEGNO 160304 (FOR LOOSE PIECE VERSION SEE DRAWING 160304).
 4) 115-16-1, GIUNZIONE MEDIANTE SALDATURA (115-16-1, SPLICE FREE).
 5 BOBINATO CON CARTA INTERPOSTA (REELED WITH INTERLEAVE PAPER STRIP).

for 0.8 mm tab thickness.

SEZIONE A-A (SECTION A-A)



SEZIONE B-B (SECTION B-B)



5	NUDO (UNPLATED)	BRONZO FOS. (PH. BRONZE)	4-160256-9	CU
	ARGENTATO (SILVER PLATED)	OTTONE (BRASS)	4-160256-7	CU
	NUDO (UNPLATED)	BRONZO FOS. (PH. BRONZE)	4-160256-5	CT
5	PRE NICHELATO (PRE NICKEL PLATED)	ACCIAIO (STEEL)	4-160256-2	CT
	STAGNATO (TIN PLATED)	BRONZO FOS. (PH. BRONZE)	3-160256-1	CT
	NUDO (UNPLATED)	BRONZO FOS. (PH. BRONZE)	2-160256-8	CT
5	STAGNATO (TIN PLATED)	OTTONE (BRASS)	2-160256-2	CU
	NUDO (UNPLATED)	OTTONE (BRASS)	2-160256-1	CT
	PRE NICHELATO (PRE NICKEL PLATED)	ACCIAIO (STEEL)	0-160256-5	CT
NOTE	FINITURA / COLORE (FINISH / COLOUR)	MATERIALE (MATERIAL)	NUMERO (AMP P/N)	REV

CUSTOMER DWG. FOR REFERENCE ONLY
 DISEGNO PER CLIENTE SOLO PER RIFERIMENTO

THIS DRAWING IS UNPUBLISHED RELEASE FOR PUBLICATION 19

© COPYRIGHT 19 BY AMP INCORPORATED, HARRISBURG, PA. ALL INTERNATIONAL RIGHT RESERVED. AMP PRODUCTS MAY BE COVERED BY U.S. AND FOREIGN PATENT AND/OR PATENT PENDING

CU5	ELIMINATED PART ET00-0038-04	H.Y.	24 FEB 2004				
CU4	REVISED PACKAGING ET00-0184-02	H.Y.	23 SEP 2001	TOLLERANZE: SE NON DIVERSAMENTE SPECIFICATO	DIAM. ISOLANTE (INS. DIA. RANGE)	RANGO FILO (WIRE RANGE)	SCALA (SCALE)
CU3	REVISED ET00-0286-01	H.Y.	07 DEC 2001	(TOLERANCES, UNLESS OTHERWISE SPECIFIED)	3.0-4.3mm DIA.	1.0-2.5 mm2	5:1
CU2	REVISED PACKAGING ET00-0046-01	H.Y.	09 FEB 2001	± 0.3	AMP ITALIA Sp.A. Corso F.Lli Cervi, 15 COLLEGNO (TORINO)		
CU1	REACTIVATED 4-...-9 ET00-0004-01	H.Y.	08 JAN 2001	ANGOLI (ANGLES) ± 2°			
CU	ADDED NOTE (5) ET00-0227-00	H.Y.	04 SEP 2000	DIS. H. YAALI (DR.) 27 JAN 2000	DESCRIZIONE (DESCRIPTION) FASTON® Connector, .250" sr. REC. CONTACT.		
CT1	ADDED NOTE (4) ET00-0201-00	H.Y.	14 JUL 2000	CONT. C. TARTARI (CHK) 27 JAN 2000	LOC. I	SIZE A3	NUMERO (DWG NO) C-160256
CT	OBSOLETE PARTS ET00-0309-99	H.Y.	08 MAR 2000		REV. CU51	FOGLIO (SHEET) 01	
CS	REVISED & REDRAWN ET00-0011-00	H.Y.	11 FEB 2000				
REV. (REV. LTR.)	REVISIONI (REVISION RECORD)	DIS. (DR)	DATA (DATED)	APP. (APP.)			

DISTRIBUZIONE (PRINT DIST.)