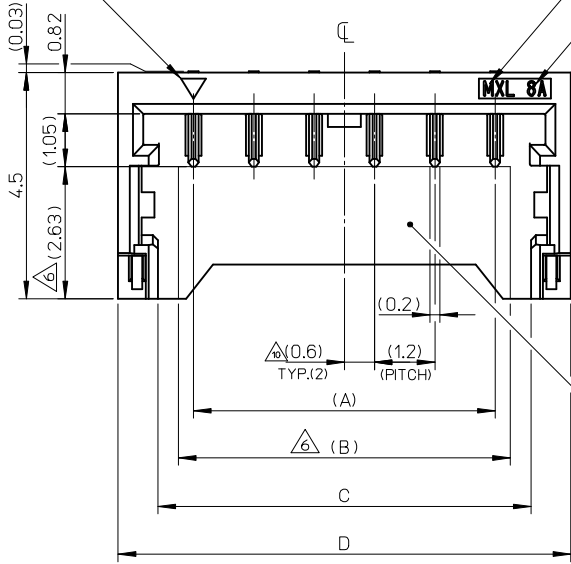
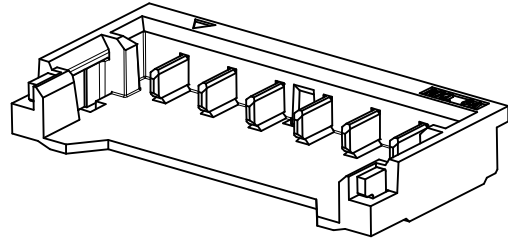


CKT No.1



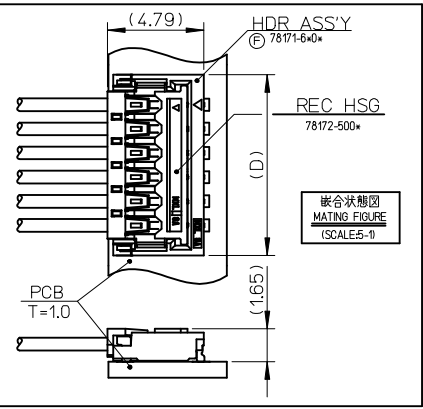
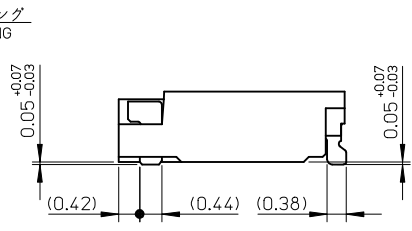
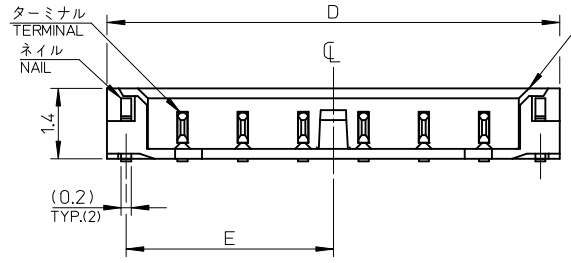
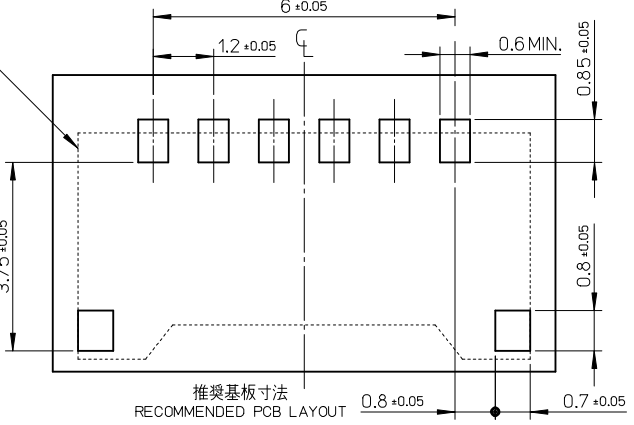
トレードマーク  
TRADE MARK  
キャビ番号  
CAV No.



吸着推奨エリア  
RECOMMENDED CHIPMOUNTER  
VACUUM NOZZLE AREA

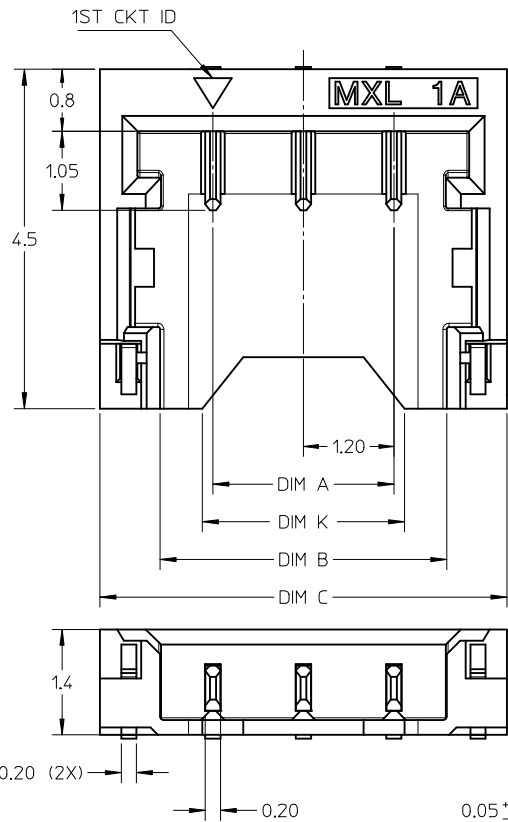
- 注記: 1. 材質 ハウジング: PA46, UL94V-0色: 黒  
 NOTES. MATERIALS HOUSING: PA46, UL94V-0, COLOUR:BLACK
- ターミナル: 銅合金  
 TERMINAL: COPPER ALLOY
- ネイル: 銅合金  
 FITTING NAIL: COPPER ALLOY
- ②. メッキ仕様 ターミナル: 金メッキ0.4μmMIN. ニッケル下地メッキ1.0μmMIN.  
 FINISHES TERMINAL: GOLD 0.4μmMIN. WITH 1.0μmMIN NICKEL UNDERPLATE OVERALL  
 ネイル: 錫メッキ1.5μmMIN. ニッケル下地メッキ1.0μmMIN.  
 FITTING NAIL: 1.5μmMIN TIN WITH 1.0μmMIN NICKEL UNDERPLATE OVERALL
3. 嵌合相手: 78172-500\*  
 MATING WITH: 極数 No. CIRCUIT No.
4. 梱包形態: エンボスリール梱包 (詳細はSD-78171-001 を参照願います)  
 PACKAGING SPECIFICATION: EMBOSSED TAPE (REFER TO SD-78171-001)
- △ 製品番号は右記の内容を示す: 78171-600\*  
 PRODUCT NUMBER INDICATES FOLLOWING 極数 No. CIRCUIT No.
- △ 吸着推奨エリアを示す  
 SHOWS VACUUM NOZZLE AREA.
7. ソルダータールとネイルの平坦度: 0.10 mm MAX  
 SOLDER TAIL AND FITTING NAIL COPLANARITY 0.1mm MAX.
8. ELV及びRoHS 適合品  
 ELV AND RoHS COMPLIANT.
9. 製品の取扱いについては取扱説明書"AS-78172-001"を参照願います  
 REFER TO INSTRUCTION MANUAL"AS-78172-001"
- △ 偶数極の製品に適用  
 APPLY EVEN CIRCUIT PRODUCTS

コネクタ外形図  
CONNECTOR OUTLINE



0.25	2.0	7.2	7.8	8.62	10.2	4.72	7	② 78171-5107	② 78171-6107	
0.1	1.0							78171-5007	78171-6007	② 78171-6*0*
		6	6.6	7.42	9	4.12	6	78171-5006	78171-6006	
Au(CONTACT) Ni(OVERALL)								PACKING FORM: EMBOSSED TAPE	MATERIAL NO.	MODEL NO.
② PLATING THICKNESS MICRO METER MIN.								ORDER No.		

REVISED EC NO: J2015-1414 DRAWN: TAKAIKE 2015/04/15 CHKD: KASAKAWA 2015/05/26 APPR: NUKITA 2015/05/26	GENERAL TOLERANCES (UNLESS SPECIFIED)			DIMENSION STYLE		SCALE	DESIGN UNITS	THIRD ANGLE PROJECTION
	0.25 UNDER ±0.03			MM ONLY		10:1	METRIC	1.2W/B CONN. HDR ASS'Y
	0.25 OVER 0.5 UNDER ±0.05			DRAWN BY T.ODA		DATE 08/06/20	TITLE	
	0.5 OVER 1.0 UNDER ±0.1			CHECKED BY SA.SATO		DATE 08/06/20		molex
1.0 OVER 10 UNDER ±0.2			APPROVED BY NUKITA		DATE 2010/10/25			
10 OVER 30 UNDER ±0.25			MATERIAL NO.				DOCUMENT NO. SD-78171-002	
30 OVER ±0.3			SIZE A3		THIS DRAWING CONTAINS INFORMATION THAT IS PROPRIETARY TO MOLEX INCORPORATED AND SHOULD NOT BE USED WITHOUT WRITTEN PERMISSION			
ANGULAR ±3 °			DRAFT WHERE APPLICABLE MUST REMAIN WITHIN DIMENSIONS					



NOTES:

1. MATERIALS:

HOUSING: LCP, UL94V-0, COLOUR : BLACK  
 TERMINAL: COPPER ALLOY  
 FITTING NAIL: COPPER ALLOY

2. FINISHES:

TERMINAL : GOLD 0.14µm MIN. WITH 1.0 UM MIN NICKEL UNDERPLATE OVERALL  
 FITTING NAIL : 1.5 UM MIN TIN WITH 1.0UM MIN NICKEL UNDERPLATE OVERALL.

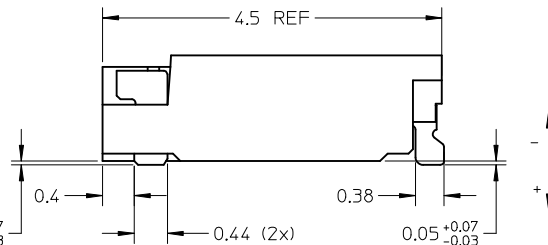
3. PRODUCT SPECIFICATION: PS-78171-010

4. PACKAGING SPECIFICATION: TAPE & REEL PACKAGING

5. MATES WITH MOLEX PART NUMBER 78172-00\*\*

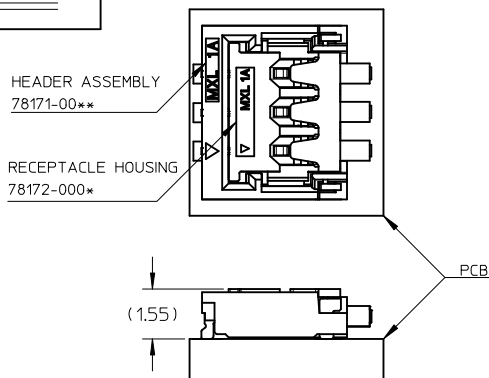
6. 3 CIRCUITS IS SHOWN FOR ILLUSTRATION PURPOSE ONLY  
 7. SOLDER TAIL AND FITTING NAIL COPLANARITY : 0.10 MM MAX TO BE MEASURED BY PLACING THE CONNECTOR ON A FLAT GAUGED SURFACE.

8. ELV & RoHS COMPLIANT.

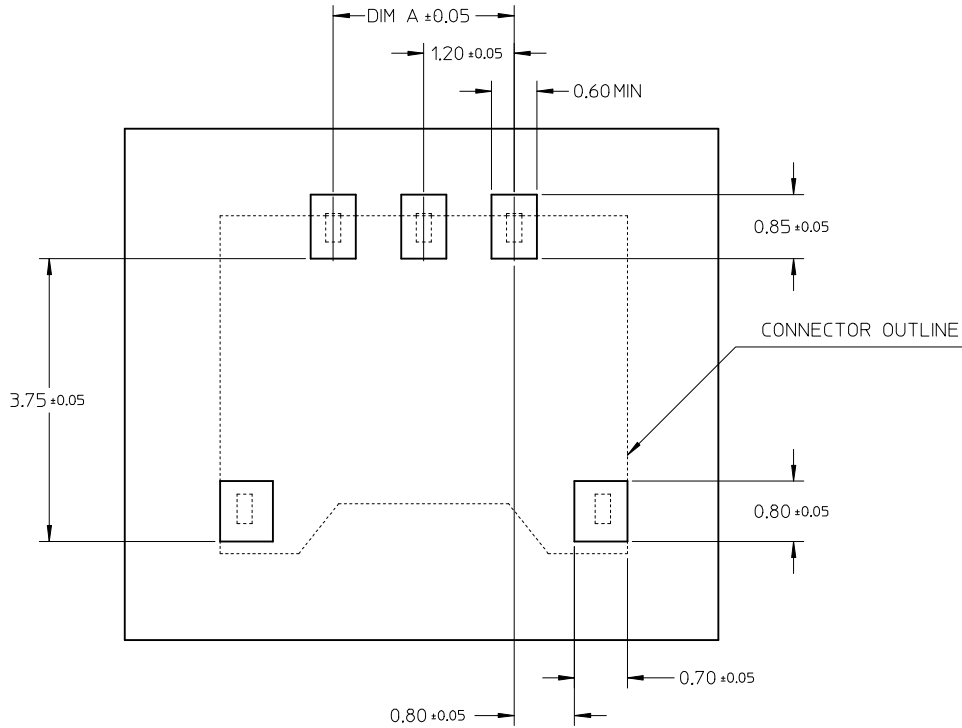


CKT SIZE	PART NUMBER	DIM A	DIM B	DIM C	DIM K
2	78171-0002	1.2	2.6	4.2	1.5
3	78171-0003	2.4	3.8	5.4	2.7
4	78171-0004	3.6	5.0	6.6	3.9
5	78171-0005	4.8	6.2	7.8	5.1

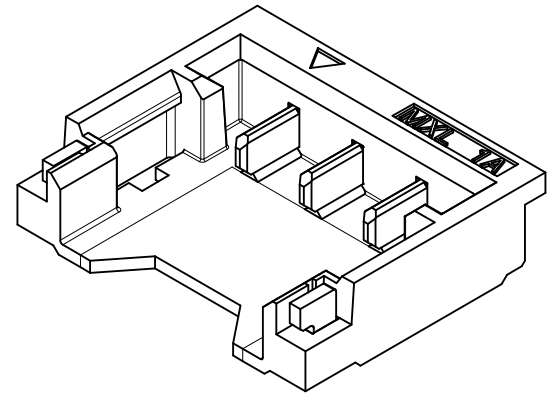
MATING VIEW



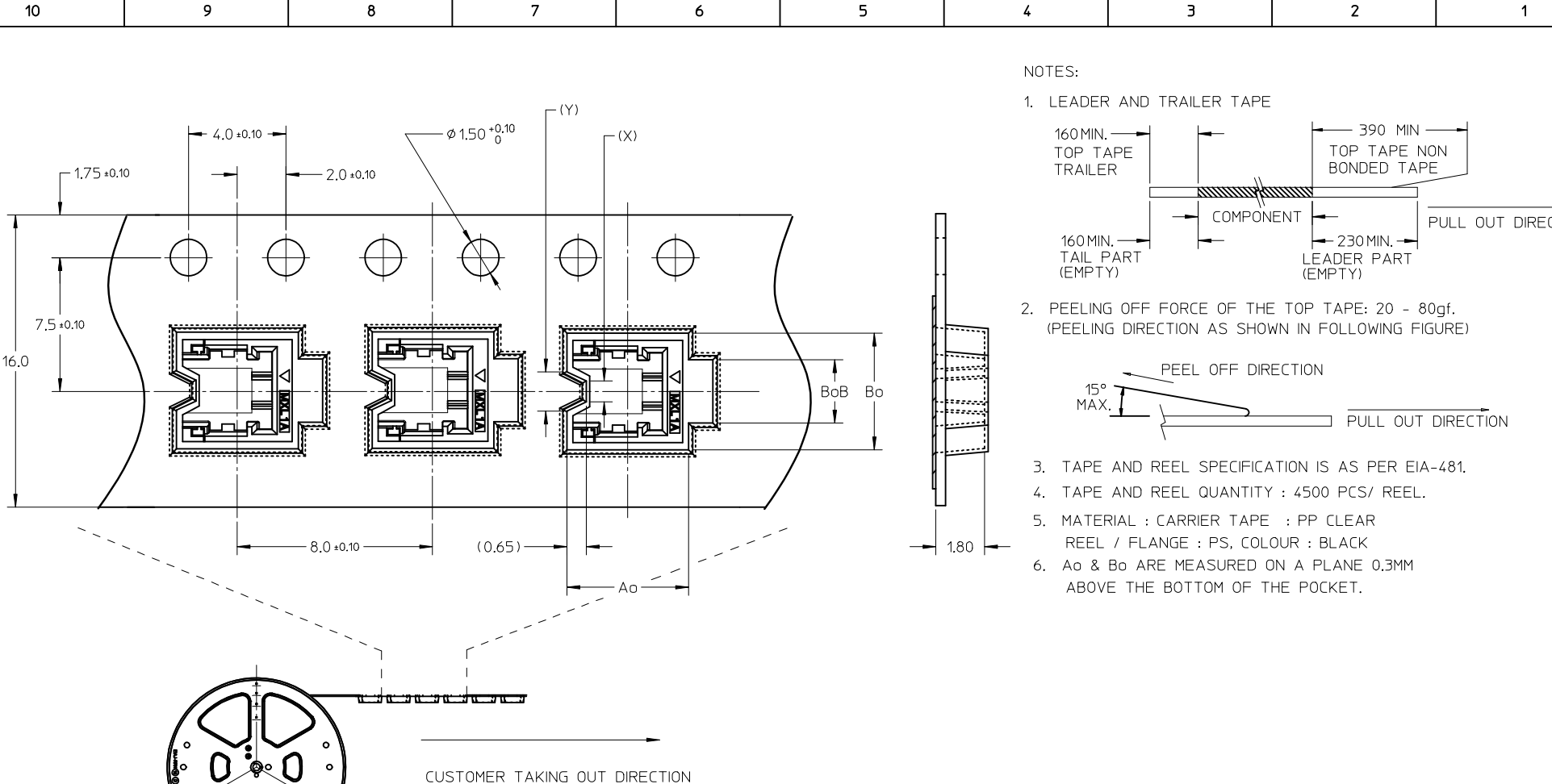
REVISED EC NO: J2015-0470 DRWN: YWAKE 2014/10/02 CHKD: KASAKAWA 2014/10/02 APPR: NUKITA 2014/10/15 REV G	GENERAL TOLERANCES (UNLESS SPECIFIED)		DIMENSION STYLE <b>MM ONLY</b>	SCALE ---	DESIGN UNITS <b>METRIC</b>	THIRD ANGLE PROJECTION
	10 UNDER	±0.2	DRAWN BY CWLAM	DATE 2007/10/25	TITLE 1.20MM PITCH, W-T-B HEADER CONNECTOR	
	10 OVER 30 UNDER	±0.25	CHECKED BY KSSHANTHA	DATE 2007/12/07		
	30 OVER	±0.3	APPROVED BY NUKITA	DATE 2010/10/25		
ANGULAR ±3°		DRAFT WHERE APPLICABLE MUST REMAIN WITHIN DIMENSIONS	MATERIAL NO. <b>SEE CHART</b>	DOCUMENT NO. <b>SD-78171-008</b>	SHEET NO. 1 OF 3	
THIS DRAWING CONTAINS INFORMATION THAT IS PROPRIETARY TO MOLEX INCORPORATED AND SHOULD NOT BE USED WITHOUT WRITTEN PERMISSION						



RECOMMENDED PCB LAYOUT



SEE SHEET 1 EC NO: J2015-0470 DRWN: YWAKE 2014/10/02 CHKD: KASAKAWA 2014/10/02 APPR: NUKITA 2014/10/15	GENERAL TOLERANCES (UNLESS SPECIFIED)		DIMENSION STYLE <b>MM ONLY</b>	SCALE ---	DESIGN UNITS <b>METRIC</b>	THIRD ANGLE PROJECTION
	10 UNDER	± 0.2	DRAWN BY CWLAM	DATE 2007/10/25	TITLE 1.20MM PITCH, W-T-B HEADER CONNECTOR	
	10 OVER 30 UNDER	± 0.25	CHECKED BY KSSHANTHA	DATE 2007/12/07		
	30 OVER	± 0.3	APPROVED BY NUKITA	DATE 2010/10/25		
	ANGULAR ±3 °		MATERIAL NO.	DOCUMENT NO. SD-78171-008		SHEET NO. 2 OF 3
DRAFT WHERE APPLICABLE MUST REMAIN WITHIN DIMENSIONS		SIZE <b>A3</b>	THIS DRAWING CONTAINS INFORMATION THAT IS PROPRIETARY TO MOLEX INCORPORATED AND SHOULD NOT BE USED WITHOUT WRITTEN PERMISSION			

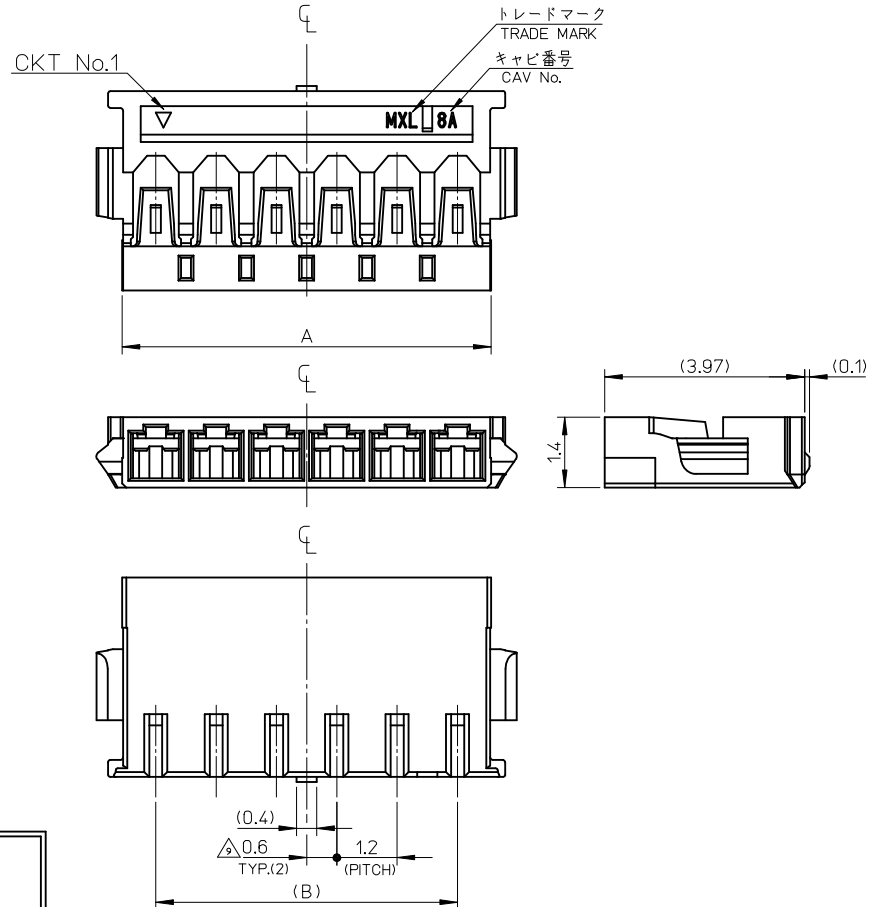
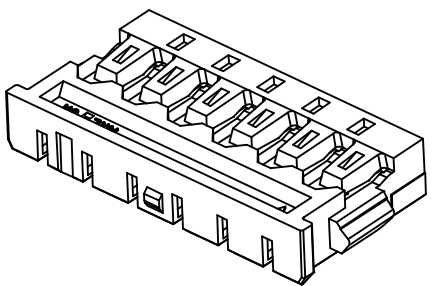


NOTES:

- LEADER AND TRAILER TAPE
- PEELING OFF FORCE OF THE TOP TAPE: 20 - 80gf.  
 (PEELING DIRECTION AS SHOWN IN FOLLOWING FIGURE)
- TAPE AND REEL SPECIFICATION IS AS PER EIA-481.
- TAPE AND REEL QUANTITY : 4500 PCS/ REEL.
- MATERIAL : CARRIER TAPE : PP CLEAR  
 REEL / FLANGE : PS, COLOUR : BLACK
- Ao & Bo ARE MEASURED ON A PLANE 0.3MM ABOVE THE BOTTOM OF THE POCKET.

CKT	Ao	Bo	BoB	(X)	(Y)
2	5.0	4.7	2.6	0.74	1.54
3	5.0	5.9	3.8	1.94	2.74
4	5.0	7.1	5.0	3.14	3.94
5	5.0	8.3	6.2	4.34	5.14

SEE SHEET 1 EC NO: J2015-0470 DRWN: YAKE 2014/10/02 CHKD: KASAKAWA 2014/10/02 APPR: NUKITA 2014/10/15	GENERAL TOLERANCES (UNLESS SPECIFIED)		DIMENSION STYLE MM ONLY	SCALE ---	DESIGN UNITS METRIC	THIRD ANGLE PROJECTION
	10 UNDER	± 0.2	DRAWN BY CWLAM	DATE 2007/10/25	TITLE 1.20MM PITCH, W-T-B HEADER CONNECTOR	
	10 OVER 30 UNDER	± 0.25	CHECKED BY KSSHANTHA	DATE 2007/12/07	<b>molex</b> SD-78171-008 SHEET NO. 3 OF 3	
	30 OVER	± 0.3	APPROVED BY NUKITA	DATE 2010/10/25		
ANGULAR ± 3 °		MATERIAL NO. SEE SHEET 1		DOCUMENT NO. SD-78171-008		
DRAFT WHERE APPLICABLE MUST REMAIN WITHIN DIMENSIONS		THIS DRAWING CONTAINS INFORMATION THAT IS PROPRIETARY TO MOLEX INCORPORATED AND SHOULD NOT BE USED WITHOUT WRITTEN PERMISSION				



- 注記 NOTES.
- 材質 ハウジング: PA46, UL94V-0, 色: 黒  
MATERIALS HOUSING: PA46, UL94V-0, COLOUR: BLACK
  - 適合ターミナル: 78172-041\*, 78172-042\*  
APPLICABLE TERMINAL: 78172-041\*
  - 嵌合相手: 78171-5\*0\*  
MATES WITH
    - ↑極数 No. CIRCUIT No. めっき(7極限定) PLATING(ONLY 7 CKT)
  - 梱包形態: 袋詰め梱包  
PACKAGING SPECIFICATION: PLASTIC BAG PACKAGING
  - △ 製品番号は右記の内容を示す: 78172-500\*  
PRODUCT NUMBER INDICATES FOLLOWING
    - ↑極数 No. CIRCUIT No.
  - ELV 及び RoHS 適合品  
ELV AND RoHS COMPLIANT
  - 参考として本製品評価時に使用の電線仕様を以下に示します。  
THE ELECTRIC WIRE SPECIFICATION USED AS REFERENCE AT THE TIME OF THIS PRODUCT EVALUATION IS SHOWN BELOW.

※製品評価時使用電線

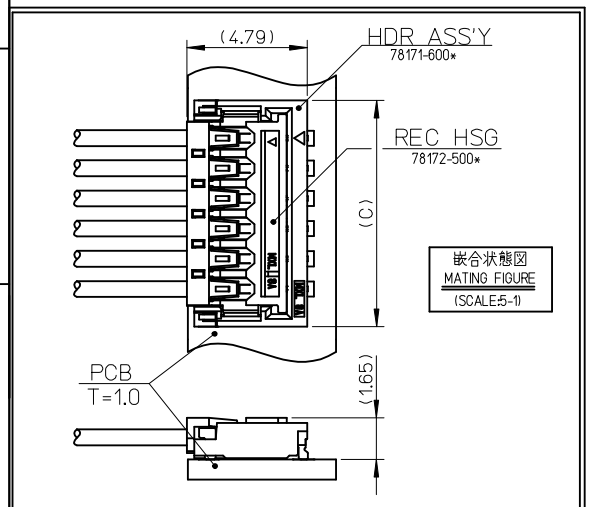
UL 3302 電線  
UL STYLE 3302

電線サイズ WIRE SIZE	導体仕様 CONDUCTOR SPEC.	導体構成 STRANDING (No./mm)	導体外径 CONDUCTOR DIA. (mm)	絶縁体外径 INSULATION DIA. (mm)
AWG# 30	錫メッキ軟銅線 TINNED ANNEALED COPPER	7/0.10	0.30	0.70

UL 3302 電線  
UL STYLE 3302

電線サイズ WIRE SIZE	導体仕様 CONDUCTOR SPEC.	導体構成 STRANDING (No./mm)	導体外径 CONDUCTOR DIA. (mm)	絶縁体外径 INSULATION DIA. (mm)
AWG# 28	錫メッキ軟銅線 TINNED ANNEALED COPPER	7/0.127	0.38	0.6

- 製品の取扱いについては取扱説明書"AS-78172-001"を参照願います。  
REFER TO INSTRUCTION MANUAL "AS-78172-001"
- △ 偶数極の製品に適用  
APPLY EVEN CIRCUIT PRODUCTS.



8.54	7.2	10.2	7	78172-5007	78172-500*
7.34	6	9	6	78172-5006	
A	B	C	CKT	△ MATERIAL NO.	MODEL NO.

REVISED EC NO: J2015-1414 DRWN: TAKAIKE 2015/04/15 CHKD: KASAKAWA 2015/05/26 APPR: NUKITA ZONBOKI/16	GENERAL TOLERANCES (UNLESS SPECIFIED)				DIMENSION STYLE MM ONLY		SCALE 10:1	DESIGN UNITS METRIC	THIRD ANGLE PROJECTION
	0.25 UNDER		±0.03		DRAWN BY T. ODA	DATE 08/06/16	12W/B CONN REC CRIMP HSG <b>molex</b> DOCUMENT NO. SD-78172-001 SHEET NO. 1 OF 1		
	0.25 OVER	0.5 UNDER	±0.05		CHECKED BY SA. SATO	DATE 08/06/16			
	0.5 OVER	1.0 UNDER	±0.1		APPROVED BY S. ICHIKAWA	DATE 08/06/16			
	1.0 OVER	10 UNDER	±0.2		MATERIAL NO.				
10 OVER	30 UNDER	±0.25		SEE TABLE					
30 OVER		±0.3		ANGULAR ±1 °		THIS DRAWING CONTAINS INFORMATION THAT IS PROPRIETARY TO MOLEX INCORPORATED AND SHOULD NOT BE USED WITHOUT WRITTEN PERMISSION			
DRAFT WHERE APPLICABLE MUST REMAIN WITHIN DIMENSIONS				SIZE A3					